

# Trieste exploded view



Without cassette - Sin cofre

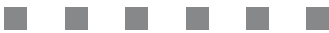
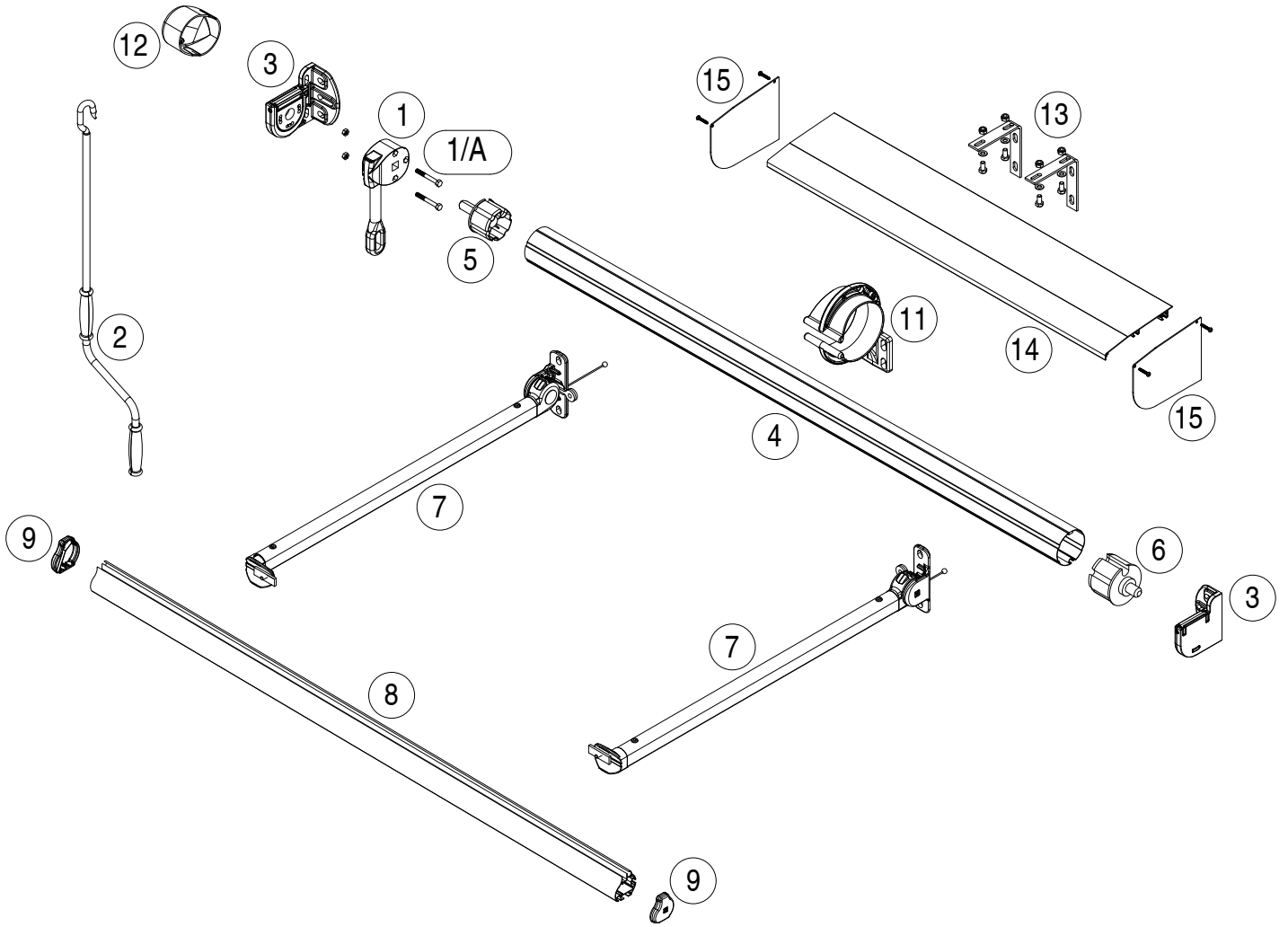



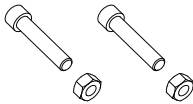
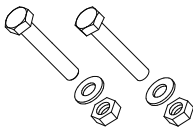

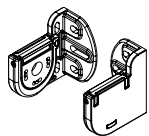
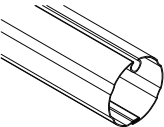
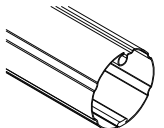
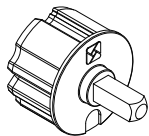
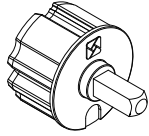
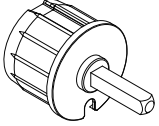
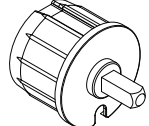
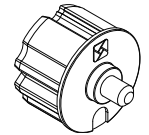
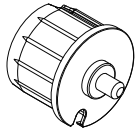
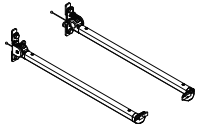
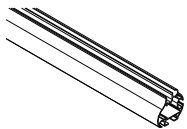

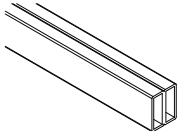
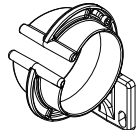
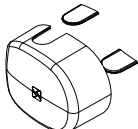
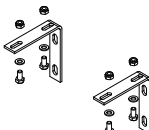
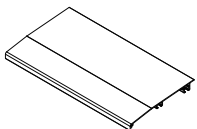
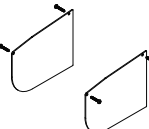
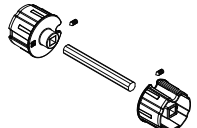
Figure Dibujo	Description Descripción	Foot (') Inch (")	m cm mm
1	 Gear Máquina reductora		9:1
1/A	 Gear screws set M6x1,57" Paquete tornillos máquina reductora M6x40mm		
1/A/1	 Gear screws set M6x2,17" Paquete tornillos máquina reductora M6x55mm		
2	 Crank rod Manivela	4'11" 5'11" 6'7"	150cm 180cm 200cm
3	 Wall/ceiling brackets with inserts Kit soporte pared/techo		
4	 Ø2,75" blind roller Tubo de enrolla Ø70mm	16'5" 19'8" 23'	5m 6m 7m
4/1	 Ø3" "Rollerbat" "Rollerbat" Ø78mm	16'5" 19'8" 23'	5m 6m 7m
5	 Ø2,75" cap with 0,51"x2,17" square pin Casquillo Ø70mm con eje cuadrado 13x55mm		
5/1	 Ø2,75" cap with 0,51"x1,38" square pin Casquillo Ø70mm con eje cuadrado 13x35mm		
5/2	 Ø3,15" cap with 0,51"x2,36" square pin Casquillo Ø80mm con eje cuadrado 13x60mm		
5/3	 Ø3" cap with 0,51"x1,38" square pin Casquillo Ø78mm con eje cuadrado 13x35mm		
6	 Ø2,75" cap with Ø0,55"x0,71" round pin Casquillo Ø70mm con eje redondo Ø14x18mm		

Figure Dibujo	Description Descripción	Foot (") Inch (")	m cm mm
6/1	 Ø3,14" cap with Ø0,55"x0,79" round pin Casquillo Ø80mm con eje redondo Ø14x20mm		
7	 "Cartridge" arms with straight toe cap Brazo recto tensión	3'3" 3'11" 4'7" 5'3"	100cm 120cm 140cm 160cm
8	 Front bar Terminal	16'5"	5m
9	 Front bar end covers Tapones para terminal		
10	 0,98"x0,79" joint for front bar Unión 25x20mm para terminal		
11	 Wall/ceiling balance support Soporte compensador pared/techo		
12	 9:1 reduction winch box Tapa cubre máquina reductora 9:1		
13	 Hood brackets Soporte cubierta		
14	 Hood Tejadillo	16'5"	5m
15	 End covers for hood Tapones para tejadillo		
16	 Blind roller joint with Ø3,15" caps Unión tubo de enrolló con casquillos Ø80mm		



All weather protection systems!

**RETRACTABLE**  
**AWNINGS.COM**