

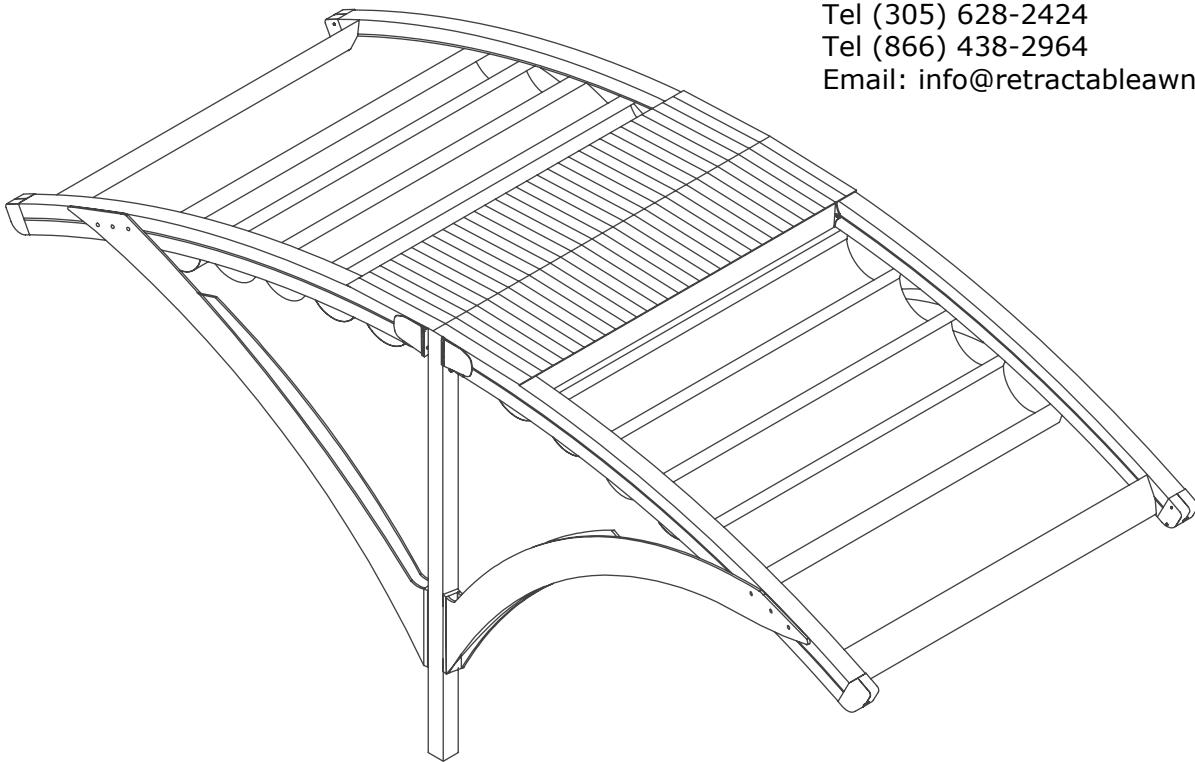


Sanliurfa

Technical information, specifications & dimensions

All weather protection systems!

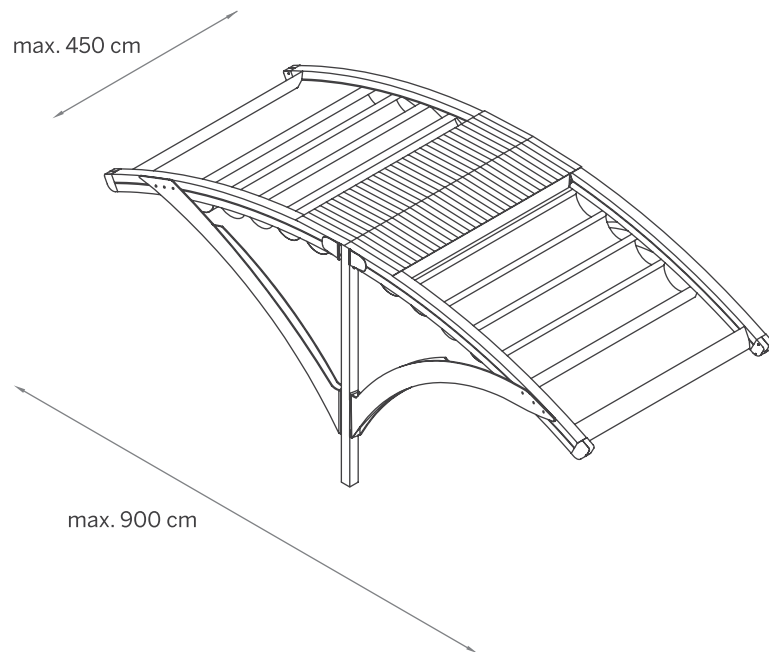
RETRACTABLE
AWNINGS.COM

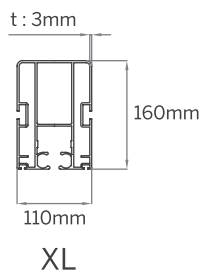
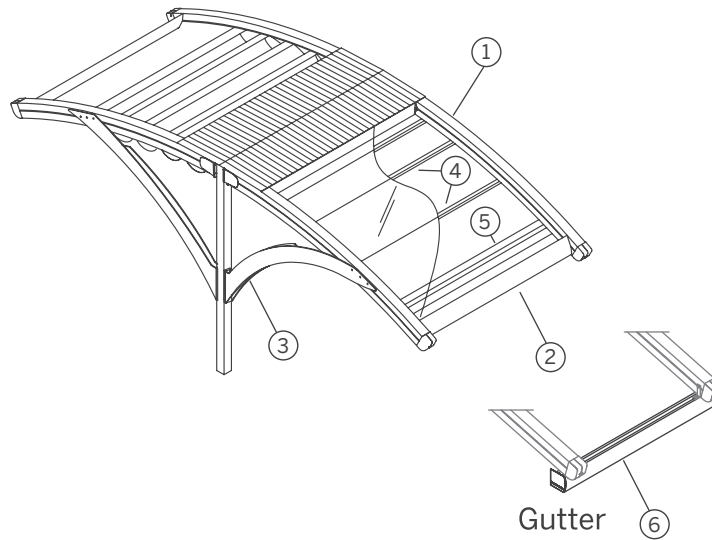


Tel (305) 628-2424
Tel (866) 438-2964
Email: info@retractableawnings.com

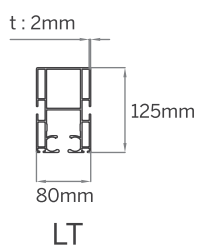
One Module

200 cm > 450 cm
One Module with 2 motors & 4 rafters

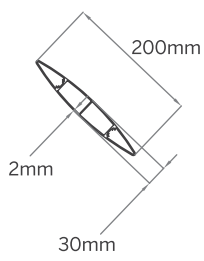




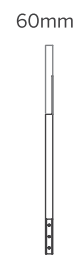
① Rafter



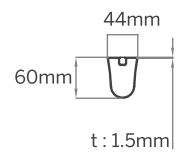
② Aerofoil Louvre



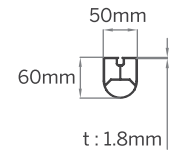
③ Buttress



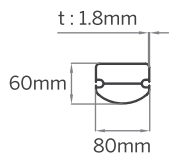
④ Fabric Support (Standart)



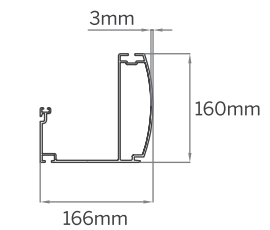
④ Fabric Support (HDD Lux)



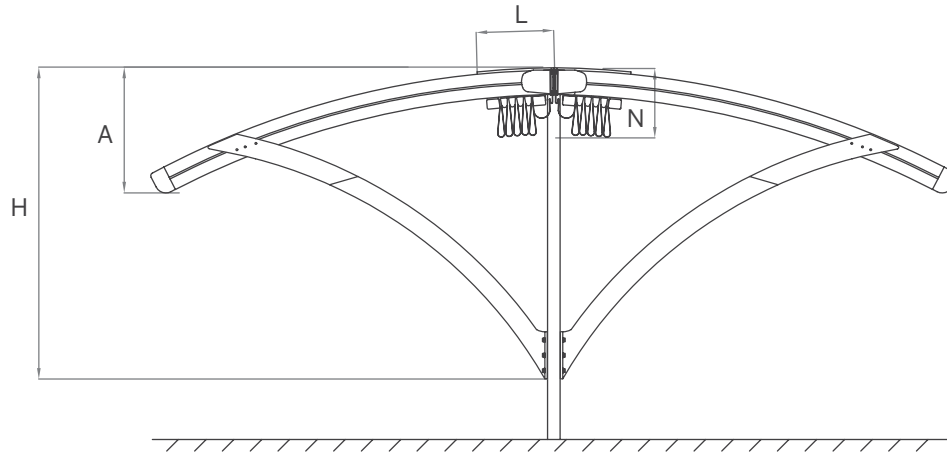
⑤ Puller Profile (Standart)



⑤ Puller Profile (HDD Lux)



⑥ Gutter



LT

	Fabric Height	Hood	Fall	Buttress Distance	Fab.Sup.Profiles
	(N*) mm	(L*) mm	(A*,**) mm	(H*) mm	pc*
Projection (P) cm 600	387	727	677	1850	16
700	389	772	828	2000	18
800	393	830	872	2200	20
900	396	876	1054	2300	22

* Values can vary by different radius values.

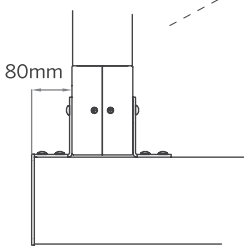
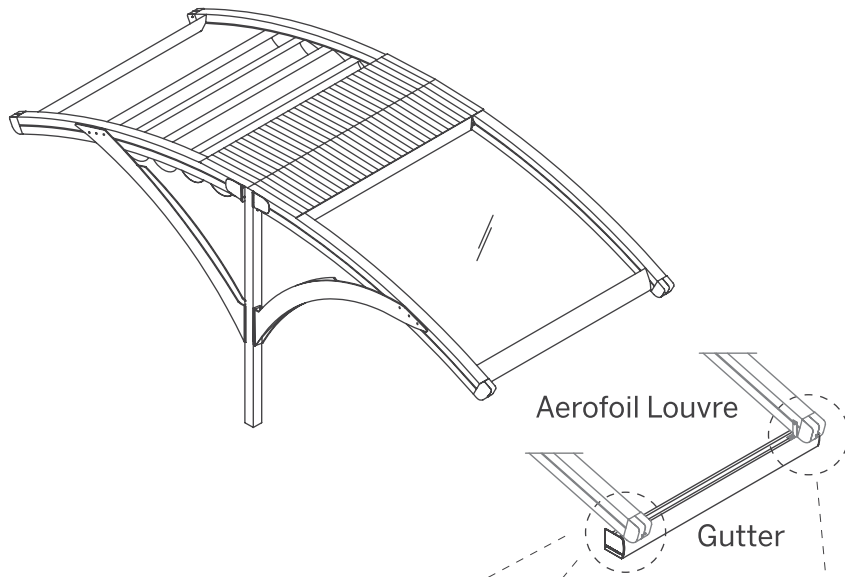
** +160 mm distance with optional front gutter system.

XL

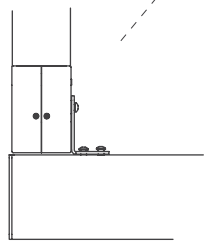
	Fabric Height	Hood	Fall	Buttress Distance	Fab.Sup.Profiles
	(N*) mm	(L*) mm	(A*,**) mm	(H*) mm	pc*
Projection (P) cm 600	412	707	706	1850	16
700	415	745	858	2000	18
800	418	801	952	2200	20
900	421	857	1083	2300	22

* Values can vary by different radius values.

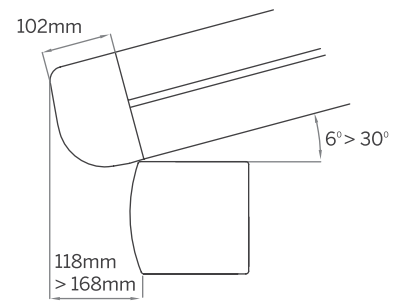
** +160 mm distance with optional front gutter system.

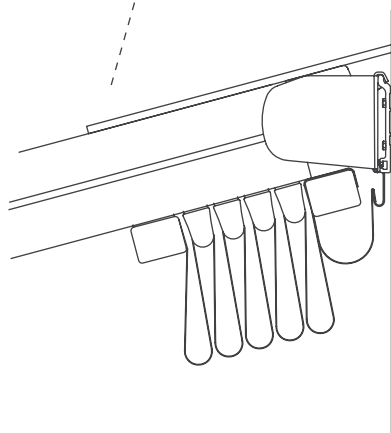
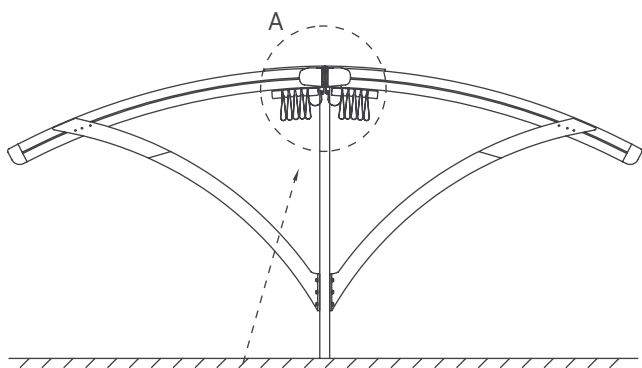


Type - A

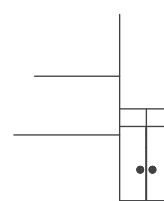
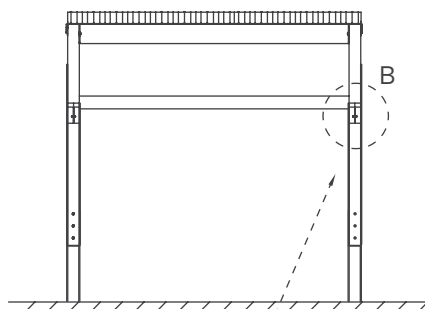


Type - B



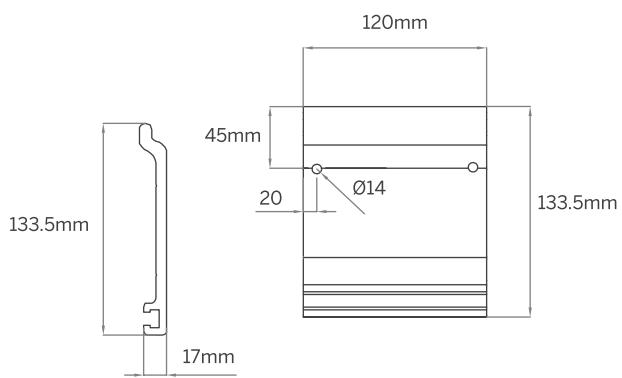


DETAIL A



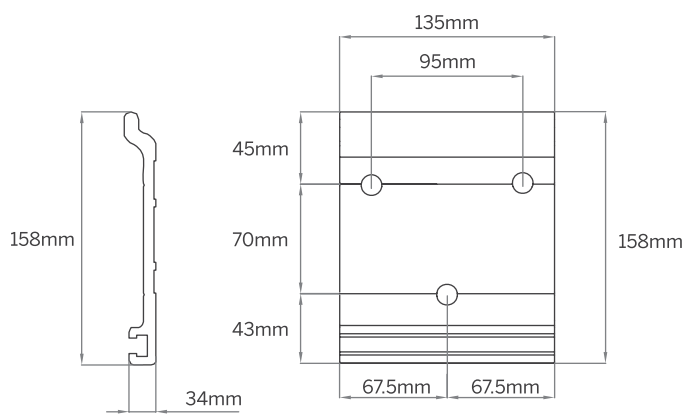
DETAIL B

LT

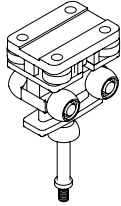


Installation Bracket

XL

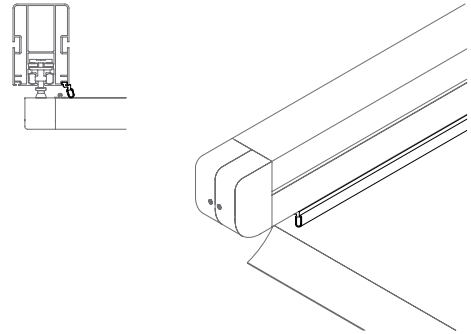


Installation Bracket



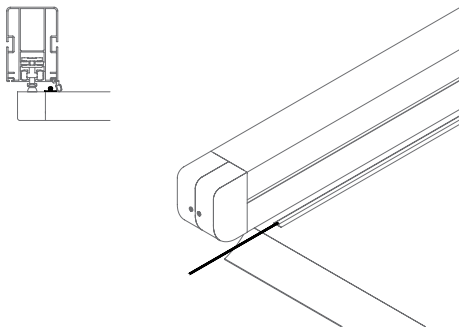
F3 Eight wheel slider

Four horizontal & four vertical rollers working together for perfectly smooth operation every time. The F3 eight wheel system is proven to remove the jamming issue that occurs with the 4 wheel system and can take loads of upto 600KG.



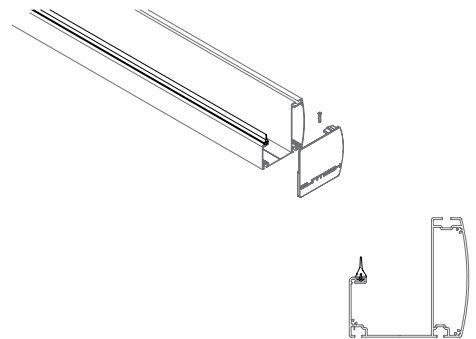
Rafter stormguard edge seal

The rafter Stormguard edge seal stops water from dripping over the side of the system by providing a soft cushioning barrier along the side of the system.



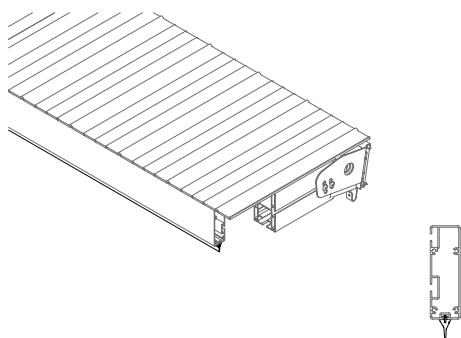
Fabric anti-drop edge cord with electrical cable

The fabric anti-drip edge cord with integrated lighting electrical cable works in conjunction with the Stormguard edge seal to prevent any water leaks over the side of the system.



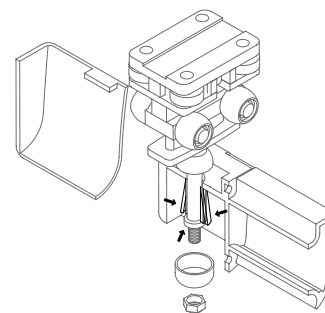
Gutter stormguard seal

The Stormguard gutter seal provides a perfect seal to prevent water leaks along the front of the system from driving rain or splashing from the gutter.



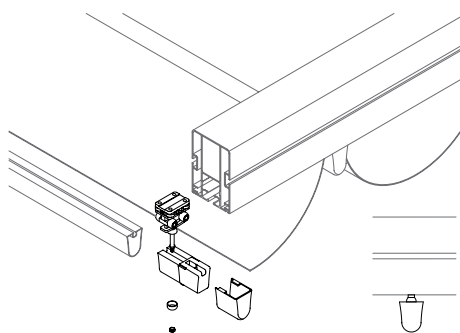
Hood stormguard seal

The Stormguard hood seal provides the perfect seal to prevent driving rain & wind coming in under the hood profiles.



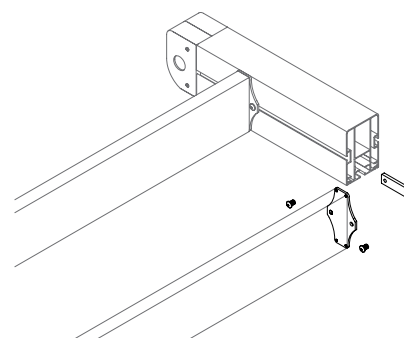
F3 slider easy clip installation

The F3 system has been designed for ease of use, to save time on installations and reduce the number of staff required. Each F3 slider can take loads of up to 600KG once in place.



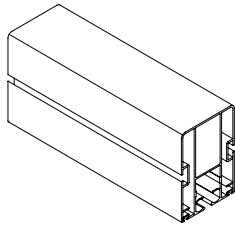
F3 slider and fabric profile assembly

The system has been designed for ease of assembly to save time on installations and reduce the number of staff required.



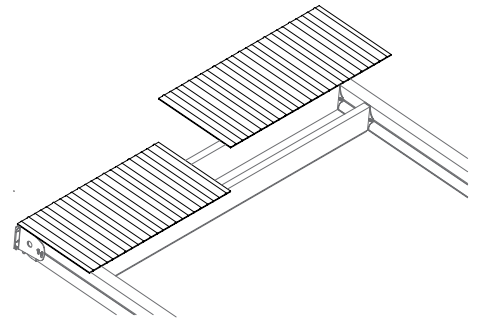
Motorbox support & hood support profile easy installation

Each support profile is easy to install and simple to adjust at the time of installation.



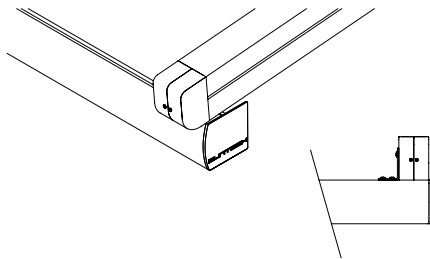
Rafter profile with side channels for easy installation

The rafter profiles are designed with functional side channels for easy installation.



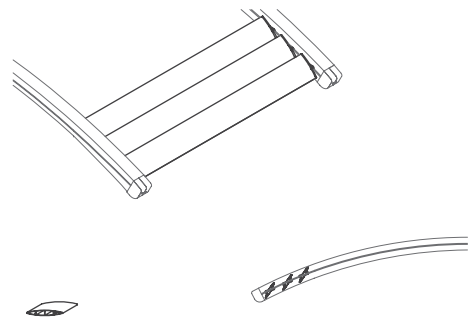
Hood profile sheets

hood profile sheets provide an attractive covering solution for the system when not in use. The low profile aesthetic design offers additional protection to the system with a chic touch.



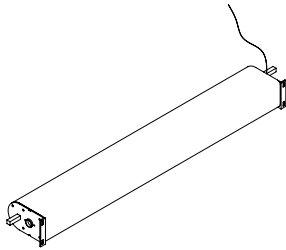
Gutter flush with rafter

Gutter solution when the system is installed next to a wall or no overhang of the gutter is required.



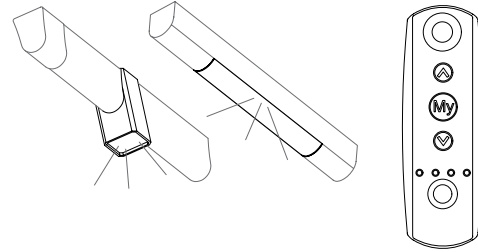
Aerofoil Louvres

The addition of Aerofoil louvres can provide added shade when the system is closed.



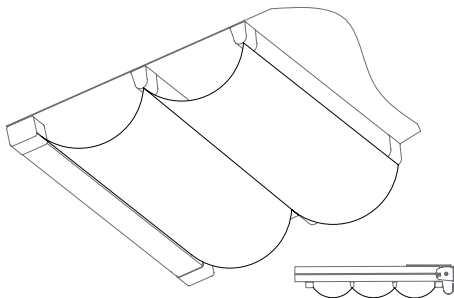
Compact 26rpm direct drive motor box

The direct drive motor system is a quick and efficient system that drives all conveyor rafters at the same time. The low profile design also allows the fabric to be stored underneath the motor which saves additional space.



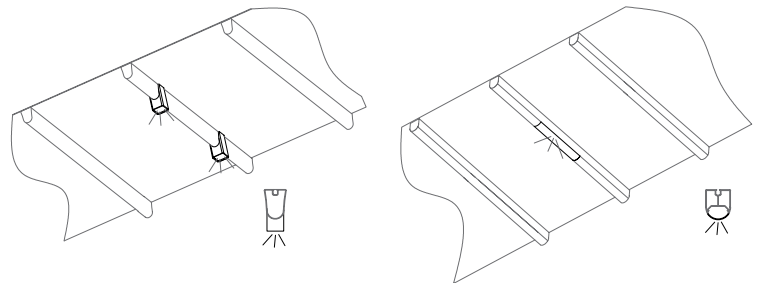
LED-TECH dimmer setup

LED-TECH dimmer lighting is an integrated lighting solution that can be added



Decorative fabric under layer

The second decorative fabric under layer of fabric can provide an elegant touch of design.

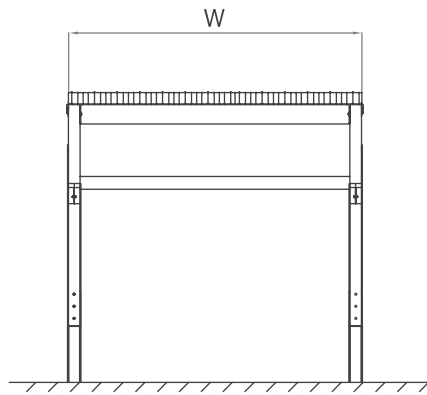
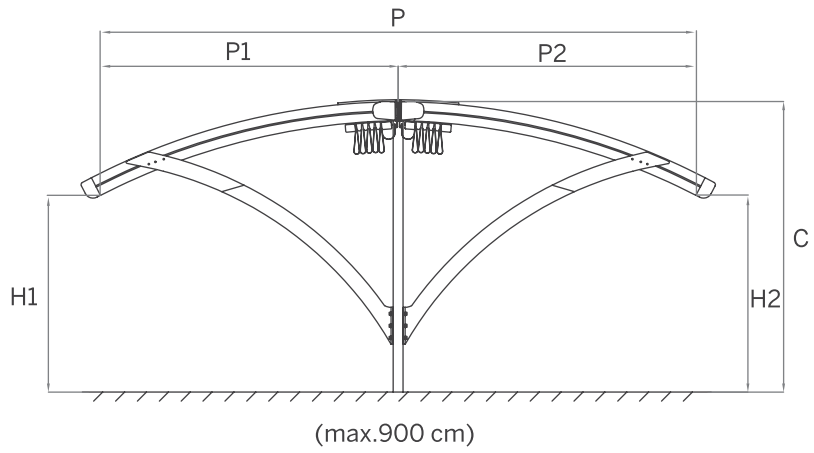


LED-TECH high powered lighting

LED-TECH lighting is an integrated lighting solution that can be added

One Module

200 cm > 450 cm
One Module with 2 motors & 4 rafters



Sanliurfa order form

order form

Company Name:

Order Date:

Order Reference:

Quantity:

SERIAL XL LT

DIMENSIONS

W - Total Width cm

P1 - Projection cm

P2 - Projection cm

C - Middle Height cm

H1 - Front Height cm

H2 - Front Height cm

POWDERCOAT COLORS

RAL colors	Exclusive colors	Texture colors	
<input type="checkbox"/> RAL 9016	<input type="checkbox"/> OGN35	<input type="checkbox"/> ST9010	<input type="checkbox"/> Other...
<input type="checkbox"/> RAL 1013	<input type="checkbox"/> OS561	<input type="checkbox"/> ST9001	
<input type="checkbox"/> RAL 9006	<input type="checkbox"/> OY395	<input type="checkbox"/> ST1013	
<input type="checkbox"/> RAL 7006	<input type="checkbox"/> OGN39	<input type="checkbox"/> ST7039	
<input type="checkbox"/> RAL 7016	<input type="checkbox"/> ON617	<input type="checkbox"/> ST7016	
<input type="checkbox"/> RAL 9005	<input type="checkbox"/> ON611	<input type="checkbox"/> ST8019	

FABRIC

Basic	Semi Transparent	
<input type="checkbox"/> WT785 / White	<input type="checkbox"/> STRW22 / White	<input type="checkbox"/> Other...
<input type="checkbox"/> CR295 / Cream	<input type="checkbox"/> STRB33 / Black	
Xclusive	Matt	
<input type="checkbox"/> WTEX / White	<input type="checkbox"/> MW23 / White	
<input type="checkbox"/> CRMX / Cream	<input type="checkbox"/> MC26 / Cappuccino	
<input type="checkbox"/> GRYX / Grey		

OPTIONALS

<input type="checkbox"/> STANDARD High Power Led Lighting	<input type="checkbox"/> Inox Buttress
<input type="checkbox"/> HDD LUX High Power Led Lighting	<input type="checkbox"/> Gutter Profile
<input type="checkbox"/> Dimmer Kit	<input type="checkbox"/> Supporting Steel Structure With Post (Galvanized)
<input type="checkbox"/> Aerofoil Louvre (Line) pc	

ADDITIONAL NOTES & DRAWINGS ATTACHED