



All weather protection systems!
RETRACTABLE
AWNINGS.COM



Hood

Assembly and installation manual



THE AMERICAN INSTITUTE OF ARCHITECTS



AMERICAN SOCIETY OF LANDSCAPE ARCHITECTS



Professional Awning Manufacturers Association
PROUD MEMBER



2021 IFAI OUTSTANDING ACHIEVEMENT
INTERNATIONAL ACHIEVEMENT AWARDS



2021 IFAI AWARD OF EXCELLENCE
INTERNATIONAL ACHIEVEMENT AWARDS



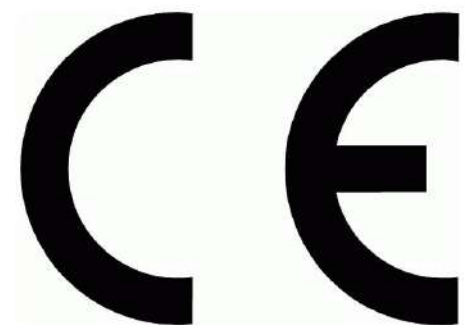
2019 IFAI OUTSTANDING ACHIEVEMENT
INTERNATIONAL ACHIEVEMENT AWARDS



2016 IFAI OUTSTANDING ACHIEVEMENT
INTERNATIONAL ACHIEVEMENT AWARDS



2013 IFAI AWARD OF EXCELLENCE
INTERNATIONAL ACHIEVEMENT AWARDS



PROUD MEMBER



All information contained in this document was provided by the European manufacturer/designer of the components for this particular model. As a fabricator/distributor, Retractableawnings.com® Inc. claims no liability with respect to these documents as we are not engineers and did not complete any of the information, engineering or calculations in this document. All measurements in this document are metric. To convert from metric (meters, centimeters and millimeters) to imperial (feet and inches) visit this website: http://www.onlineconversion.com/length_common.htm

1	Introduction	5
1.1	Symbols used in this manual.....	5
1.2	Personnel requirements	5
1.3	Equipment required	5
2	Safety.....	5
2.1	General safety information	5
2.2	Requirements for working in safety	6
2.3	Working environment	6
3	Technical data.....	7
3.1	Exploded views	7
3.1.1	Square bar awnings hood	7
3.1.2	Wall/ceiling awnings hood	8
4	Square bar awnings hood assembly	9
5	Wall/ceiling awnings hood assembly	11

1 Introduction

This manual has been drafted by the manufacturer to provide the necessary instructions to those authorised to assemble/install the product components.

The operations described herein must be performed by persons with the training/skills required by applicable national standards and legislations (see Ch.Pt.1.2 "Personnel requirements", P. 5).

The pages and content contained within this manual must not be removed, rewritten or modified in any way.

This manual must be kept intact in an easily accessible location until the product is disposed off.

The Manufacturer reserves the right to update its products and their corresponding manuals without any obligation to update previous products and manuals.

The Manufacturer reserves all rights concerning this manual: no reproduction shall be permitted, in whole or in part, without its express written authorisation.

1.1 Symbols used in this manual

WARNINGS:



INFORMATION AND WARNINGS

Instructions and advice to help ensuring correct use and storage of the product. Failure to follow these instructions may compromise the product's integrity and/or strength.



CAUTION

Operator hazard! Instructions and warnings to be read and followed carefully. Failure to observe these instructions may put people's safety at risk.



CAUTION

Read the instructions carefully before using the product.

1.2 Personnel requirements

Personnel performing these operations must have technical knowledge of the product acquired by at least two years of experience or by a technical training course.

1.3 Equipment required

To ensure correct assembly of the mechanical and fabric parts, and thereby to ensure that the finished product works optimally, the following equipment is required:

- drill driver;
- spirit level;
- complete set of tools;
- metal detector;
- plumb bob;
- equipment for working at height (trestles, ladders, scaffolding, aerial platforms etc.) which meets applicable health and safety legislation.



All screws used on the aluminium components must be closed to a maximum tightening torque of 20Nm (=2Kgm). If a tightening torque greater than this is used, the castings and stainless-steel screws will be damaged. We therefore recommend using torque wrenches and drivers.



Before starting the assembly, the technician must cut the profile based on the product size (see the Assembly Manual).

2 Safety

2.1 General safety information

- Operations of assembly/installation and first use, adjustment and extraordinary maintenance must only be performed by technicians trained and specialised for those tasks, contact Technical Support.
- Do not place objects on the awning fabric.
- It is forbidden for people to hang or hold themselves on the product, this would create a serious risk of injury as well as potentially damaging the product itself.
- The Manufacturer shall not be held responsible for any damage resulting from either tampering or unauthorised

modification of the product.

- Wear the personal protective equipment and any other safety clothing required by health and safety legislation.

2.2 Requirements for working in safety

- The installation must be performed in full compliance with workers' health and safety legislation.
- Keep a safe distance between moving parts and any fixed obstacles (walls, terraces etc.).
- No ladders or other fixed objects must be installed or positioned near the structure such that the spaces it needed are reduced.
- Check, prior to use, that any temporary structures (trestles, scaffolding, ladders etc.) and all personal protective equipment (safety slings and harnesses etc.) meet the code and that are in good condition.
- Always use adequate personal protective equipment.
- If there is more than one installer, the work must be coordinated.
- The operators must follow the safety instructions they have received.
- If the product is to be installed above the ground-floor level of a building, the area must be cordoned off while the product is being lifted to this level to ensure nobody is beneath the suspended load.

2.3 Working environment

- Assembly and installation operations must be performed in an environment sufficiently lit by natural or artificial light (per applicable standards/legislation). The worker must have good visibility of the work to perform and must also prevent any unauthorised persons from approaching the work zone.
- Before installing any product, ensure that static, climate and planning checks have been performed to ensure the product is suitable for the installation in the chosen location.
- Also check that any necessary authorisation or planning permission has been obtained from the relevant authorities.



ALL MEASUREMENTS ARE GIVEN IN MILLIMETRES UNLESS OTHERWISE INDICATED.

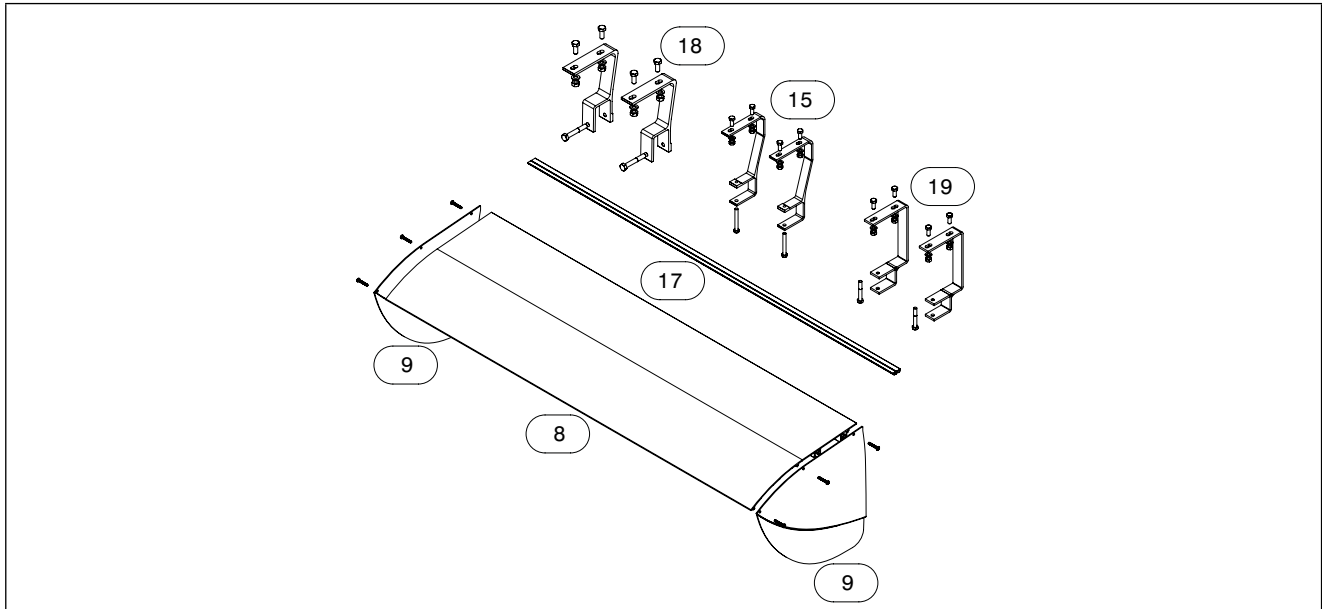


Some figures could be of a general nature and not be referred to the product at issue.

3 Technical data

3.1 Exploded views

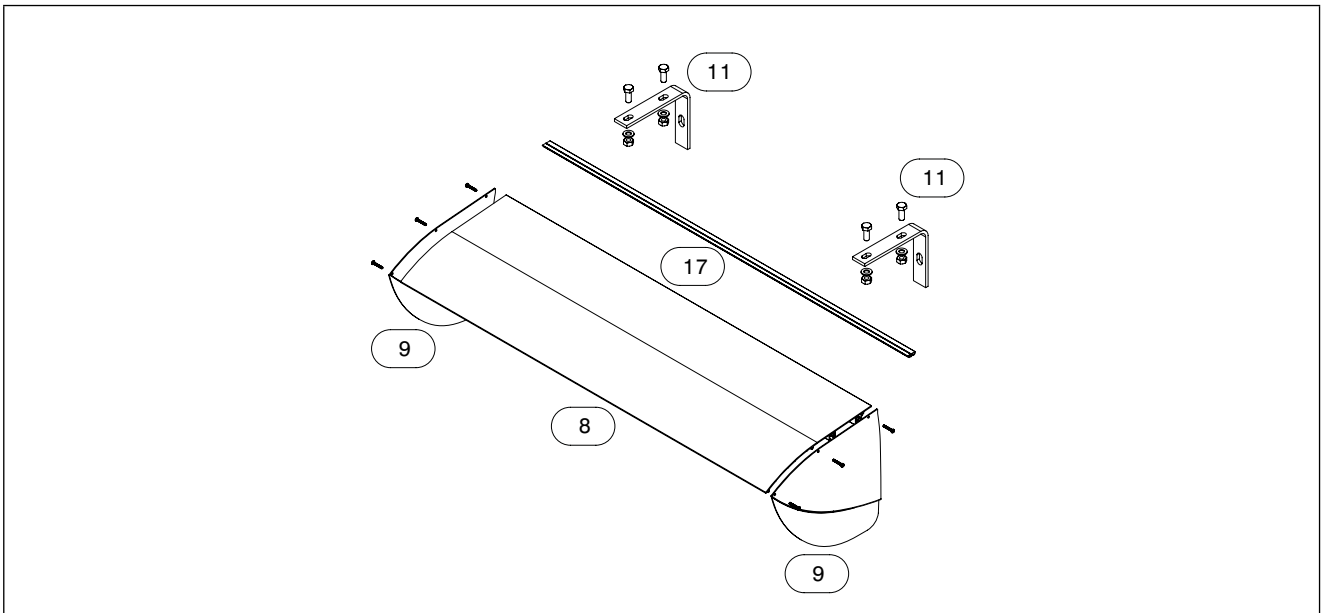
3.1.1 Square bar awnings hood



Pic. 1

8	Hood	9TET--682004
9	End covers for hood	9CTI--320003
15	Hood supports on 50mm square bar	9CPT--326002
17	Gasket	9GBX--395002
18	Hood supports on 40mm square bar	9CPT--320002
19	Hood supports	9CPT--370001

3.1.2 Wall/ceiling awnings hood



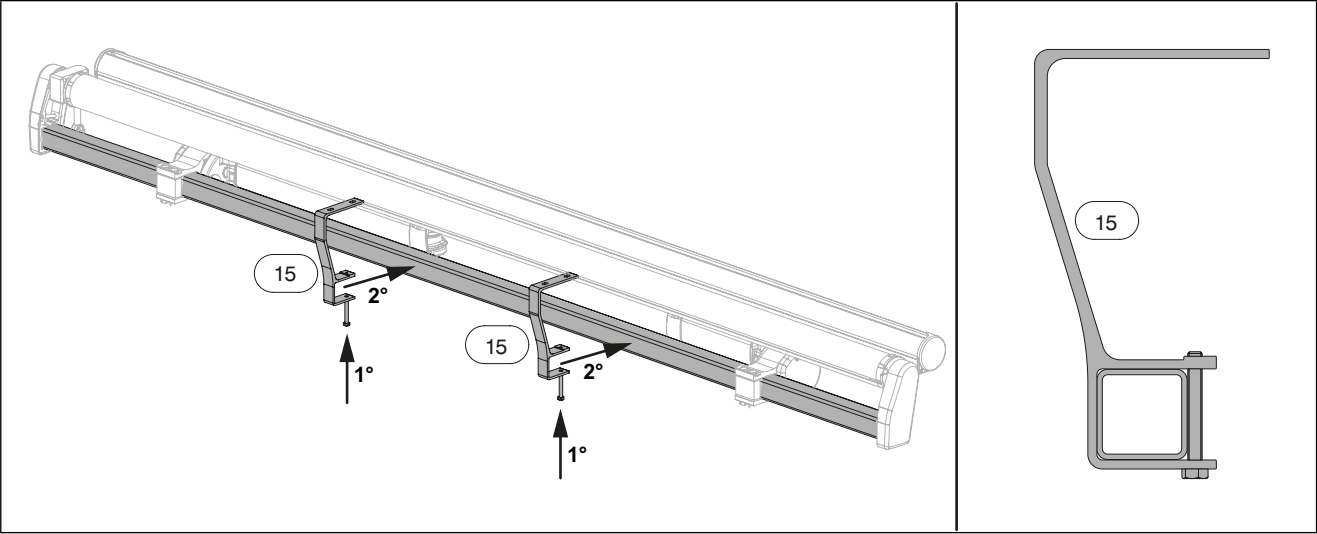
Pic. 2

8	Hood	9TET--682004
9	End covers for hood	9CTI--320003
11	Wall hood supports	9CST--320011
17	Gasket	9GBX--395002

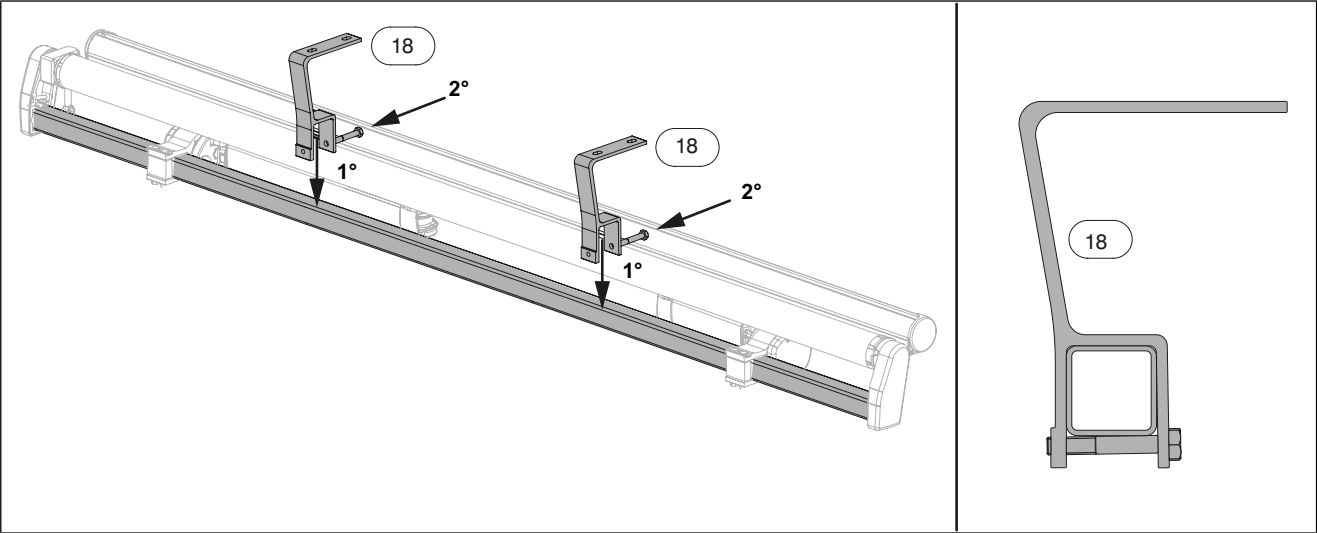
4 Square bar awnings hood assembly



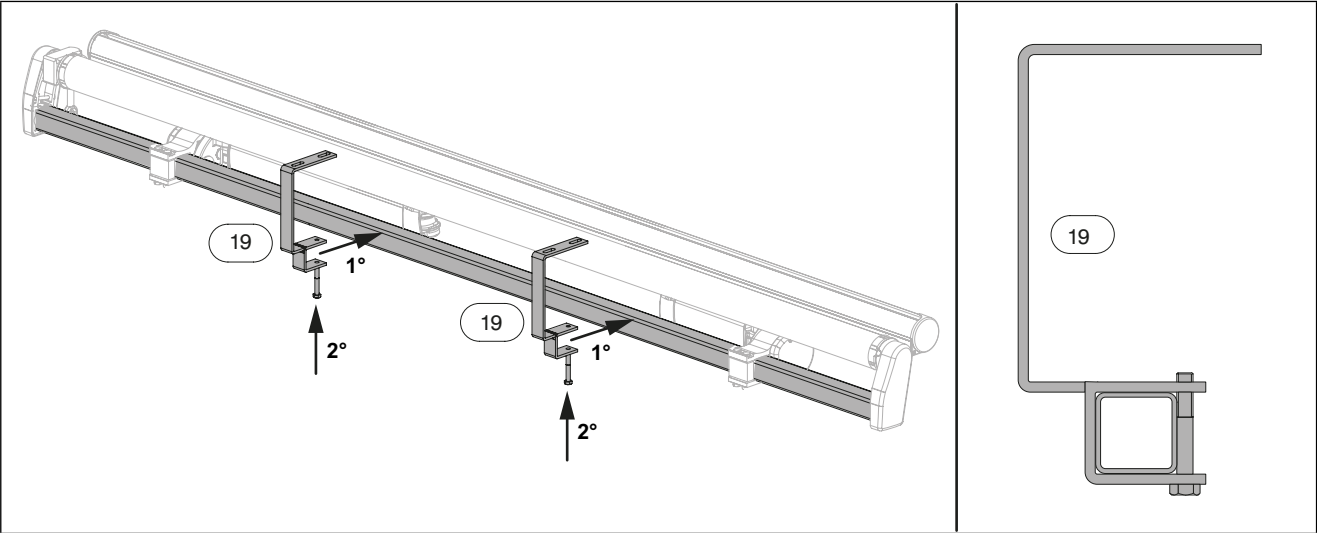
Concerning the quantity of top supports, see the assembly and installation manual for the relevant product.



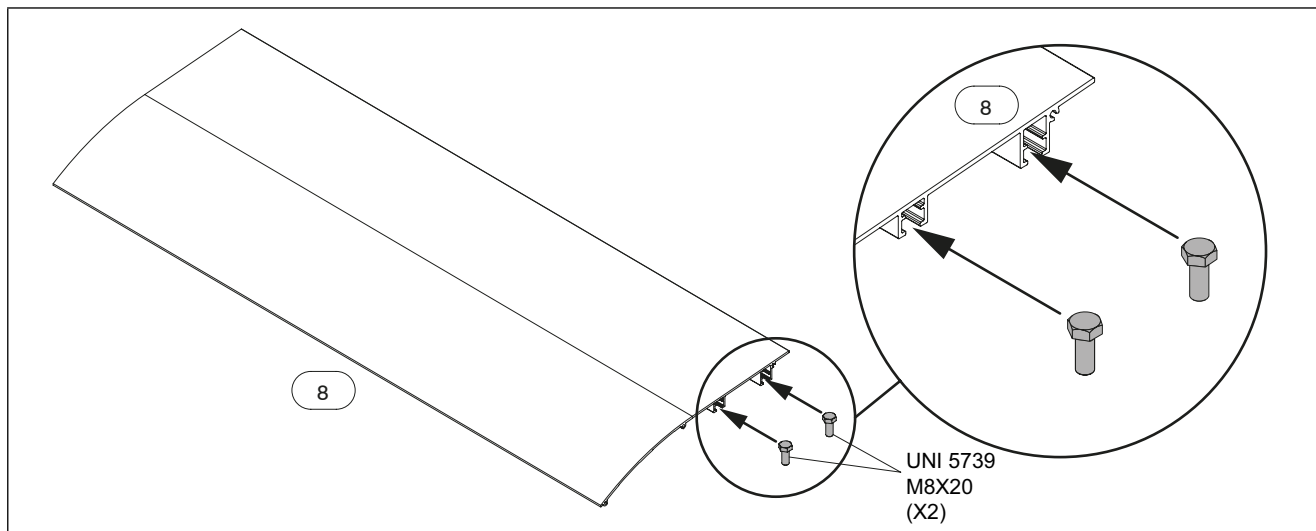
Pic. 3



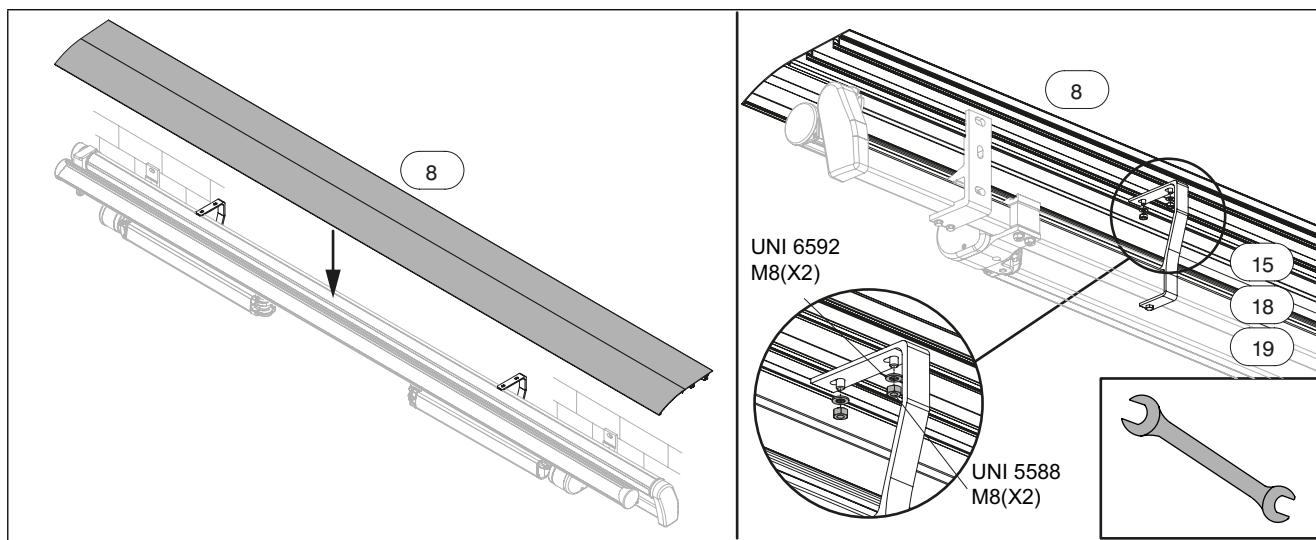
Pic. 4



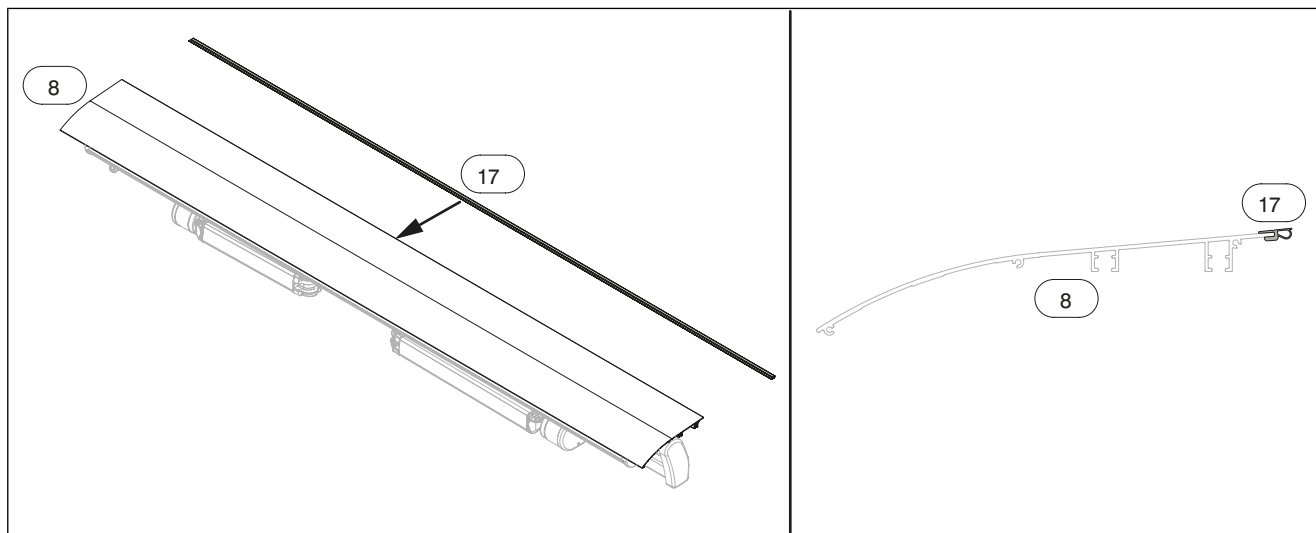
Pic. 5



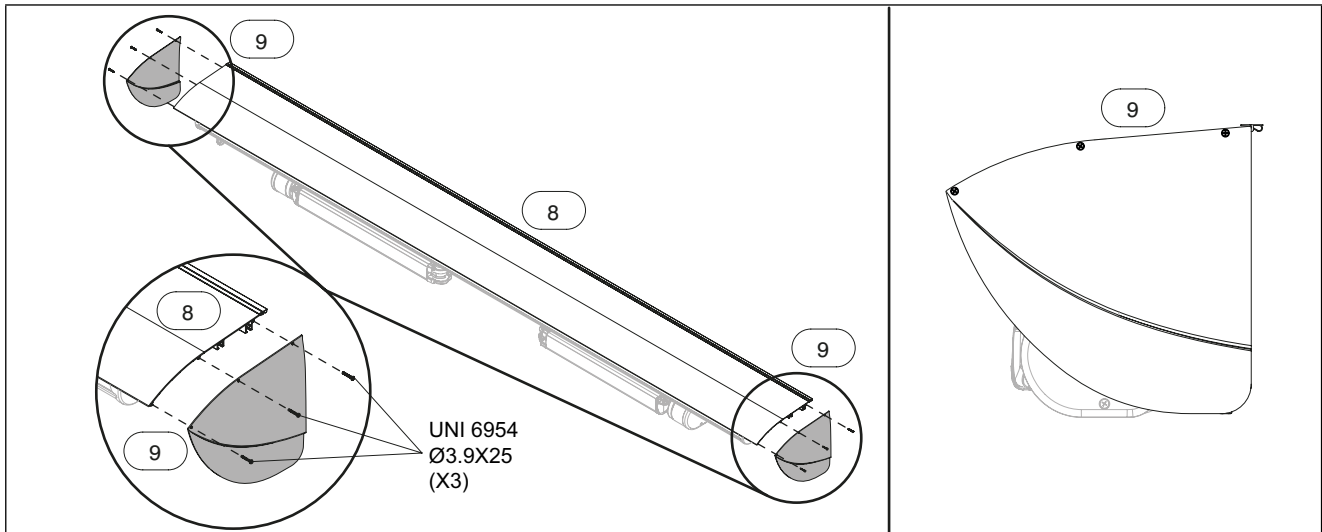
Pic. 6



Pic. 7



Pic. 8

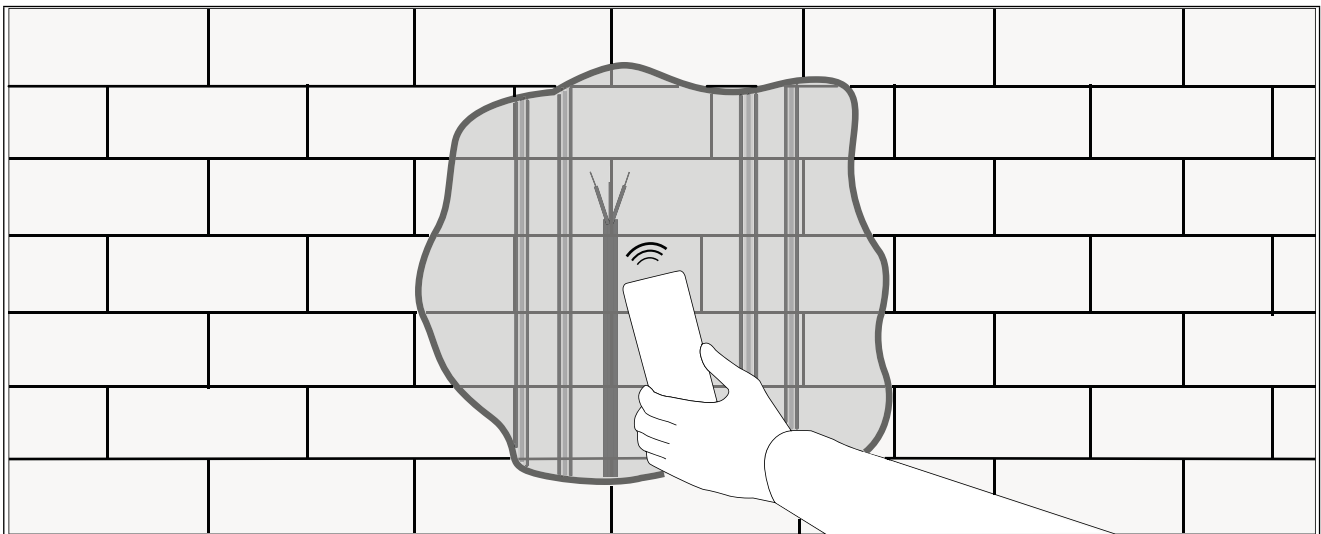


Pic. 9

5 Wall/ceiling awnings hood assembly



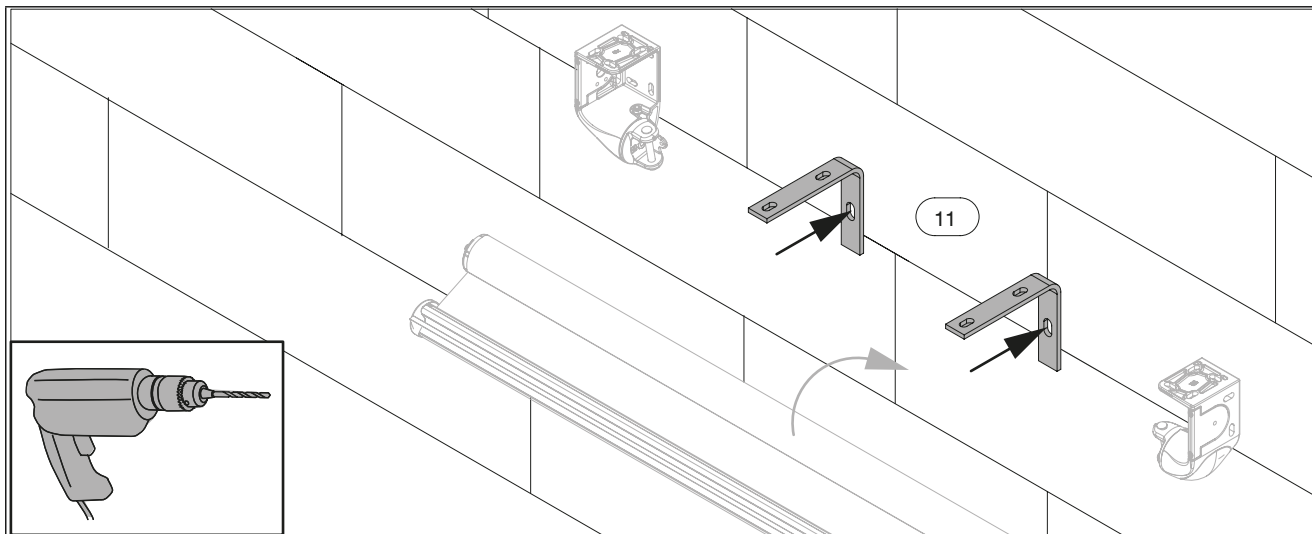
Concerning the quantity of top supports, see the assembly and installation manual for the relevant product.



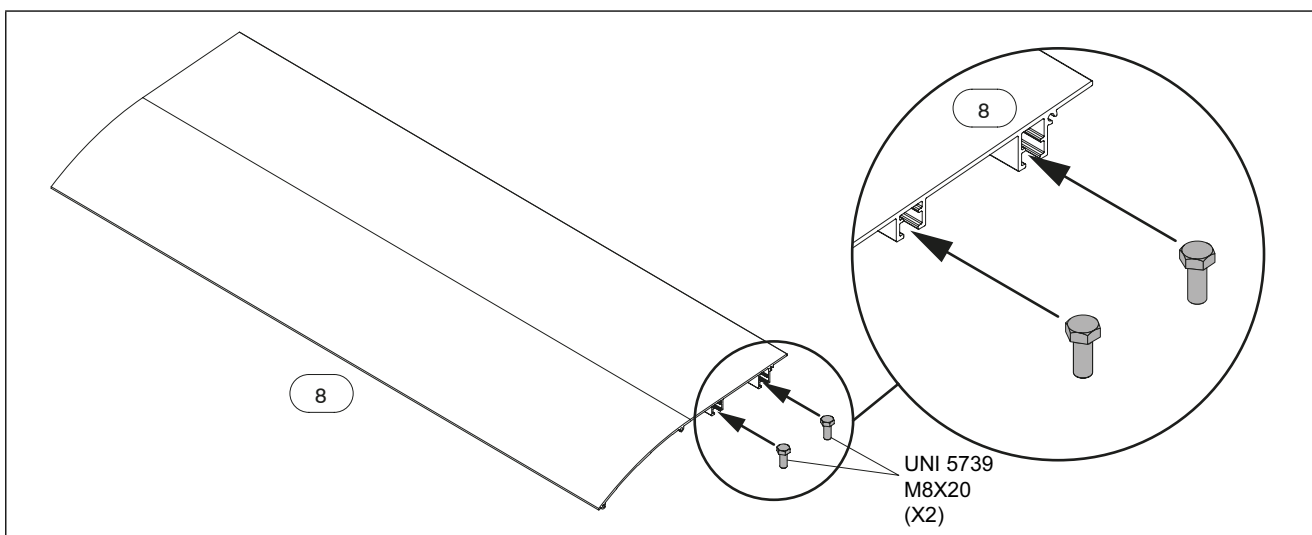
Pic. 10



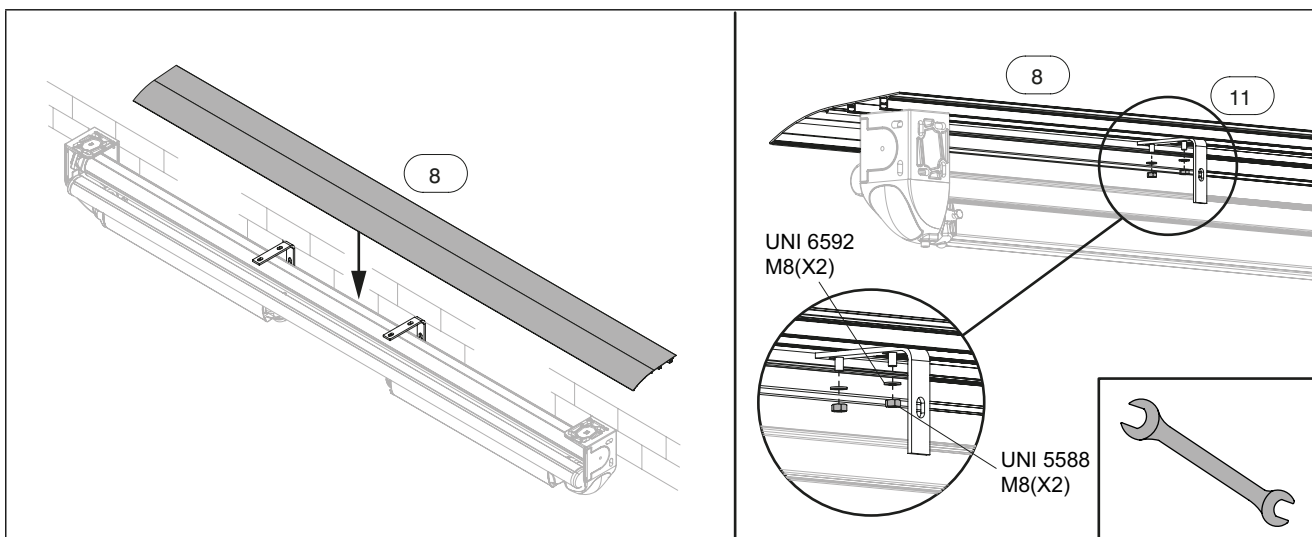
To choose the fastening anchors, refer to the following load values: $N = 1,0933 \text{ kN}$; $T = 0,3016 \text{ kN}$.



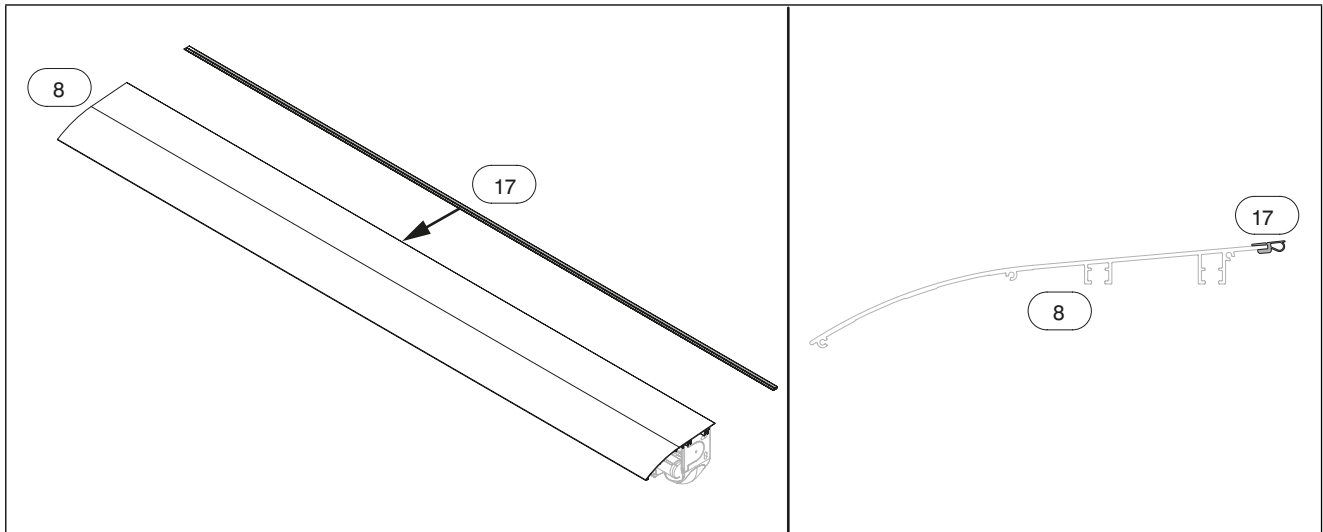
Pic. 11



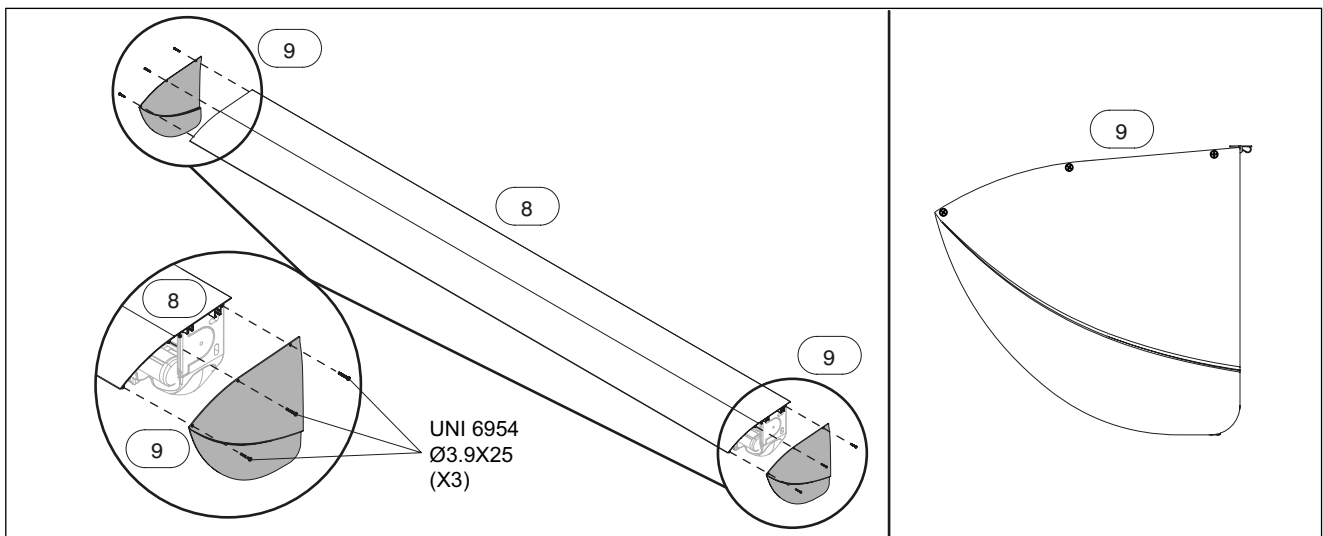
Pic. 12



Pic. 13



Pic. 14



Pic. 15



All weather protection systems!

RETRACTABLE
AWNINGS.COM

RetractableAwnings.com®
16300 NW 48th Avenue
Miami Gardens, Florida, 33014-6417
USA

Tel | 305- 628-2424 or 866-438-2964
Email | info@retractableawnings.com
Skype | retractableawnings
Google | retractableawnings
MSN | retractableawning
Yahoo | retractableawnings
AOL | retractableawn

W | www.retractableawnings.com



LinkedIn



YouTube