



BIOCLIMATIQUE - **ROTATING** LOUVER ROOF SYSTEM SPECIFICATIONS, OPTIONS, DETAILS FOR THE LV15 AND LV 20 VERSIONS



All weather protection systems!

RETRACTABLE
AWNINGS.COM

Tel (305) 628-2424
Tel (866) 438-2964
info@retractableawnings.com

Fully Closed



All information contained in this document was provided by the manufacturer of the components for this particular model. As a fabricator/distributor, Retractableawnings.com Inc. claims no liability with respect to these documents as we are not engineers and did not complete any of the information, engineering or calculations in this document.

All measurements in this document are metric. To convert from metric (meters, centimeters and millimeters) to imperial (feet and inches) visit this website:
http://www.onlineconversion.com/length_common.htm

Tilted



Tilted & Fully Closed



Flexible installation methods are available with wall mounting and free standing installations and they can even be served as a roof for existing frameworks.

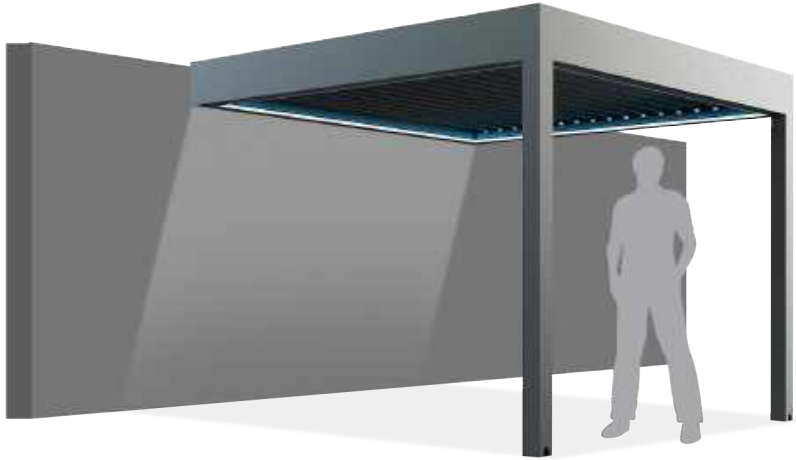


Self Standing
Single Module



Self Standing
Multiple Modules

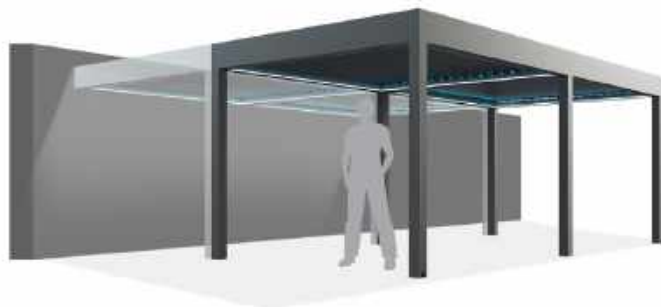




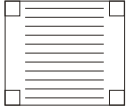
Wall Mounting
Single Module



Wall Mounting
Multiple Modules



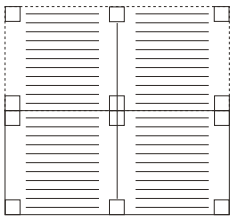
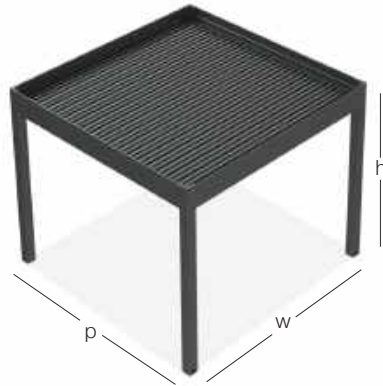
Blocked assembly for customized modules with a wide range of flexible combinations.



(w) Width
135 cm < 450 cm

(p) Projection
122 cm < 800 cm

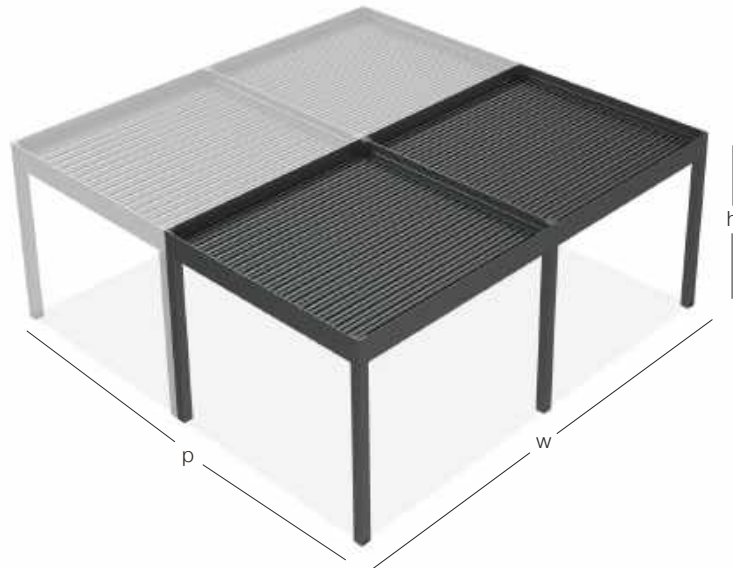
(h) Height
300 cm

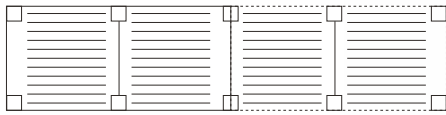


(w) Width
270 cm < 900 cm

(p) Projection
244 cm < 1600 cm

(h) Height
300 cm

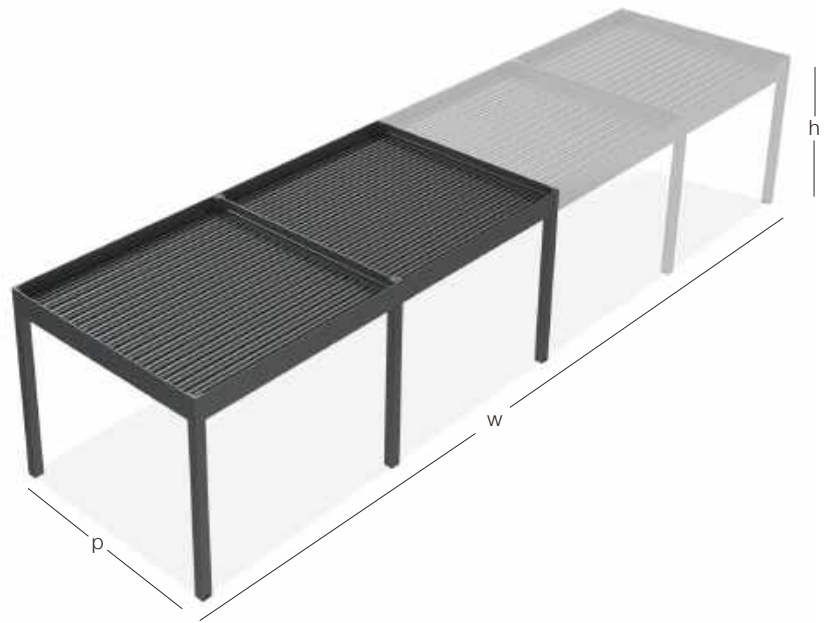




(w) Width
540 cm < 1800 cm

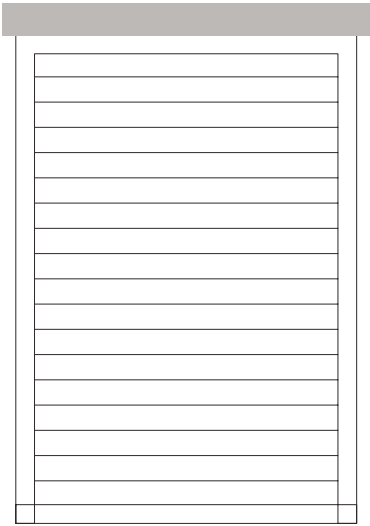
(p) Projection
122 cm < 800 cm

(h) Height
300 cm

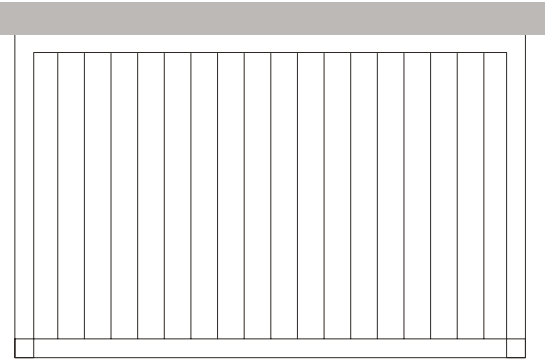


Wall Installation Louvre Positions

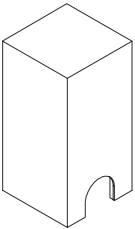
Parallel To Wall



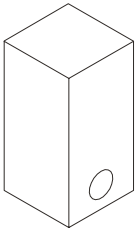
Vertical To Wall



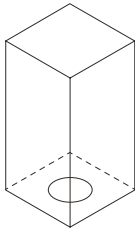
Drainage Types



TYPE I

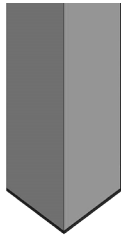


TYPE II

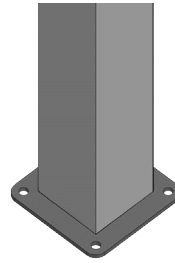


TYPE III

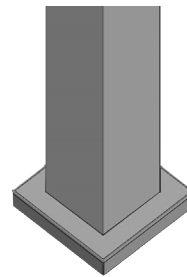
Column Base Options



Hidden
(Standard)



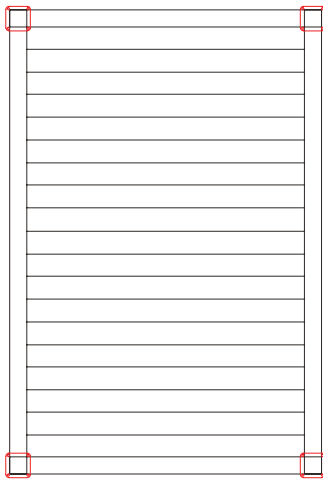
Flange



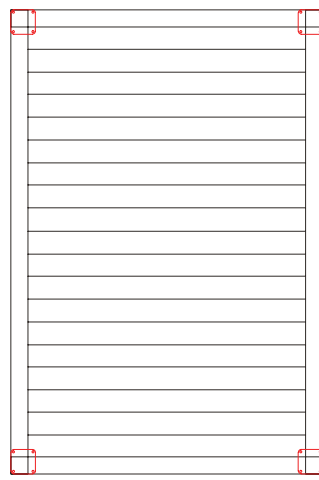
Flange With
Cover Cap

Flange Positions

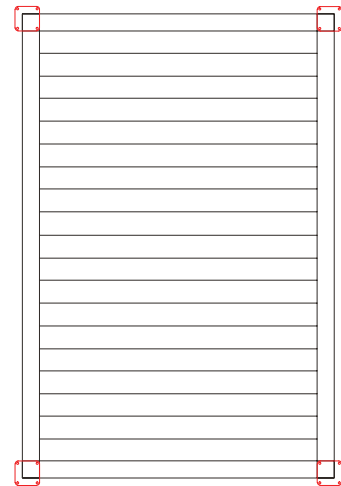
TYPE A



TYPE B

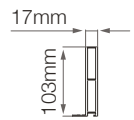
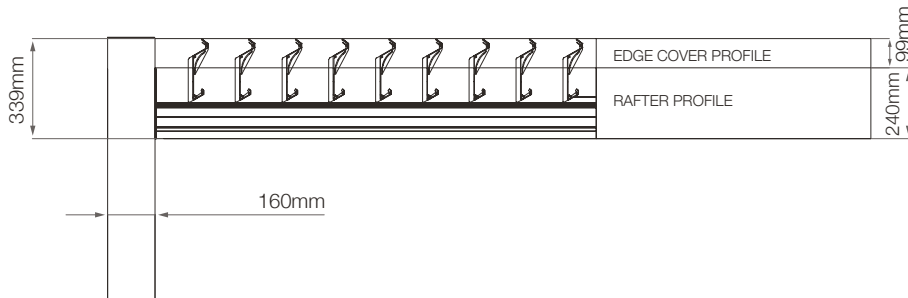


TYPE C



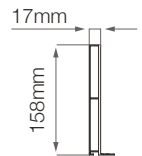
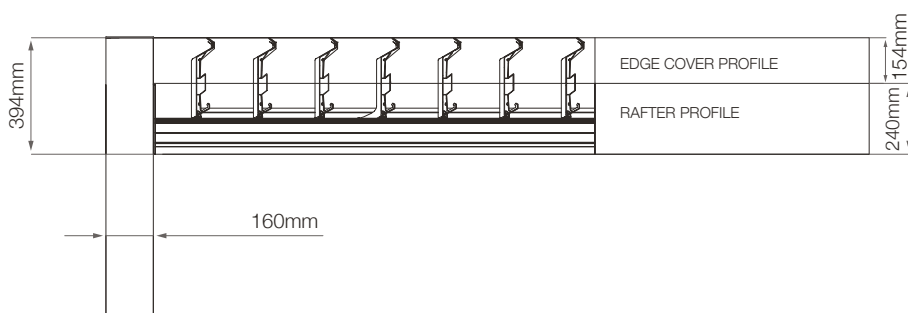
Side Elevation

LV15

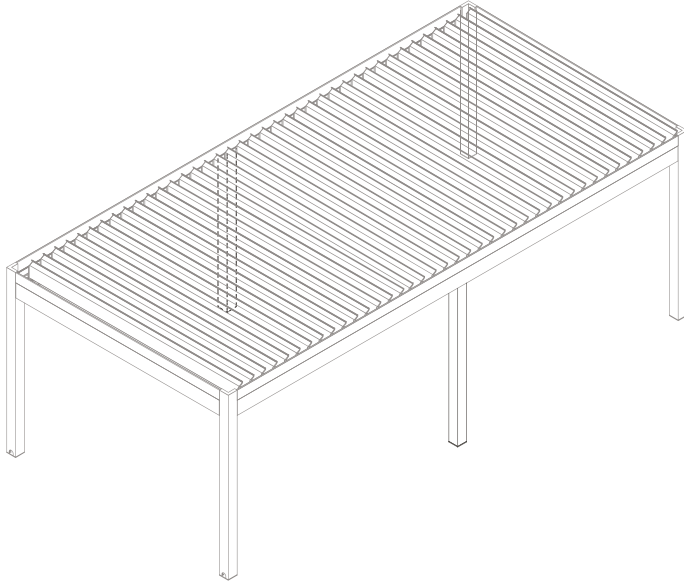


Edge Cover Profile

LV20



Edge Cover Profile

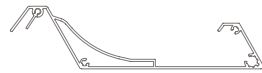


Support Column

Over 6862 mm (LV15), 6882 mm (LV20)
projection dimension support columns
need to be used.

Louvre Stormguard Seal

Sealing solution stops water dripping
over louvre gutter channel by providing
a soft cushioning barrier between point
of louvre junction.



Louvre LV15



Louvre LV20



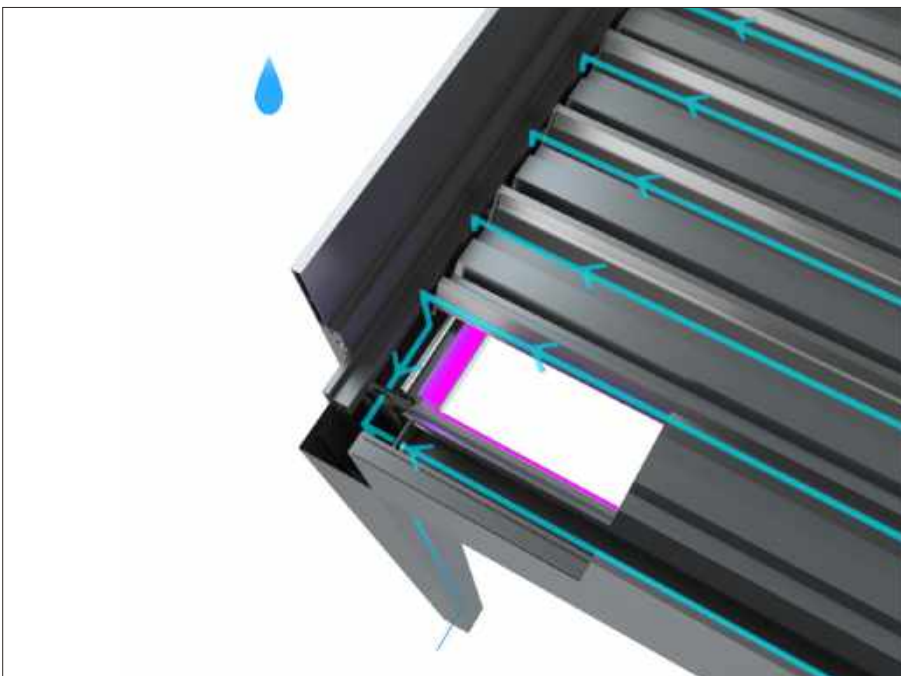
Slightly opening of louvres creates natural air flow for application areas.



Protecting from sun exposure while ensuring air ventilation under the system .



Ensuring waterproof coverage when louvres are in fully closed position.



Each channel on louvres drain the water through four sided gutters connected with columns.



LV15

LV20

Functional seal entegrated on louvre channels provides maximum protection from water dripping.

Closures



Sliding Glass System

The combination of the sliding glass system ensures efficaciously protection from wind and rain. The aluminium frames which cover each glass panel provide maximum safety standards and practicality with elegance details.





Zip System

The minimalist, slat-style, contemporary design of the zip system provides comfortable shade and protects against the UV rays. The system includes motorised painted aluminium structure, entirely powder-coated with stainless steel bolts and screws.



Sapphire Glass System

Sapphire can be adapted and offers a maximum clear span that provides unobstructed view & minimalistic style with no vertical frames. The system is operated by just the touch of button.

LV15
Operations



Lighting Options

Led Stripe
Dimmer Lighting



Cool White
5100 K

Day Light
2800 K

RGB Led-Hidden
Stripe Lighting



Optional
Edge Cover Profile

Without Edge Cover Profile



With Edge Cover Profile



LV20
Operations



Lighting Options

Led Stripe
Dimmer Lighting



Cool White
5100 K

Day Light
2800 K

RGB Led-Hidden
Stripe Lighting



Optional

Insulation Foam



Edge Cover Profile

Without Edge Cover Profile



With Edge Cover Profile



Technical Details



	LV15	LV20
Max. width for single module	450 cm	450 cm
Max. projection single module	800 cm	800 cm
Rafter profile dimension	16x24 cm	16x24 cm
Post dimension	16x16 cm	16x16 cm
Edge cover profile dimension	103 mm	158 mm
Louvre dimension	15 cm	20 cm
Louvre quantity with max. size	48 pcs	37 pcs
Automation	included	included
Control unit	included	included
Led Stripe Dimmer lighting	optional	optional
RGB Led - Hidden Stripe lighting	optional	optional
Insulation foam	N/A	optional
Edge cover profile	optional	optional
Drainage pipe	optional	optional
Flange	optional	optional



Single Module

LV15

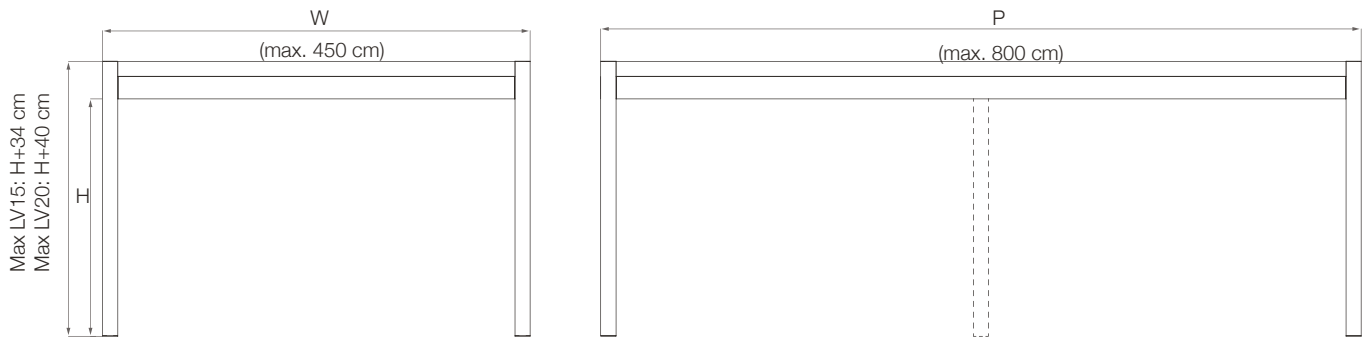
W: 135 cm < 450 cm

P: 122 cm < 800 cm

LV20

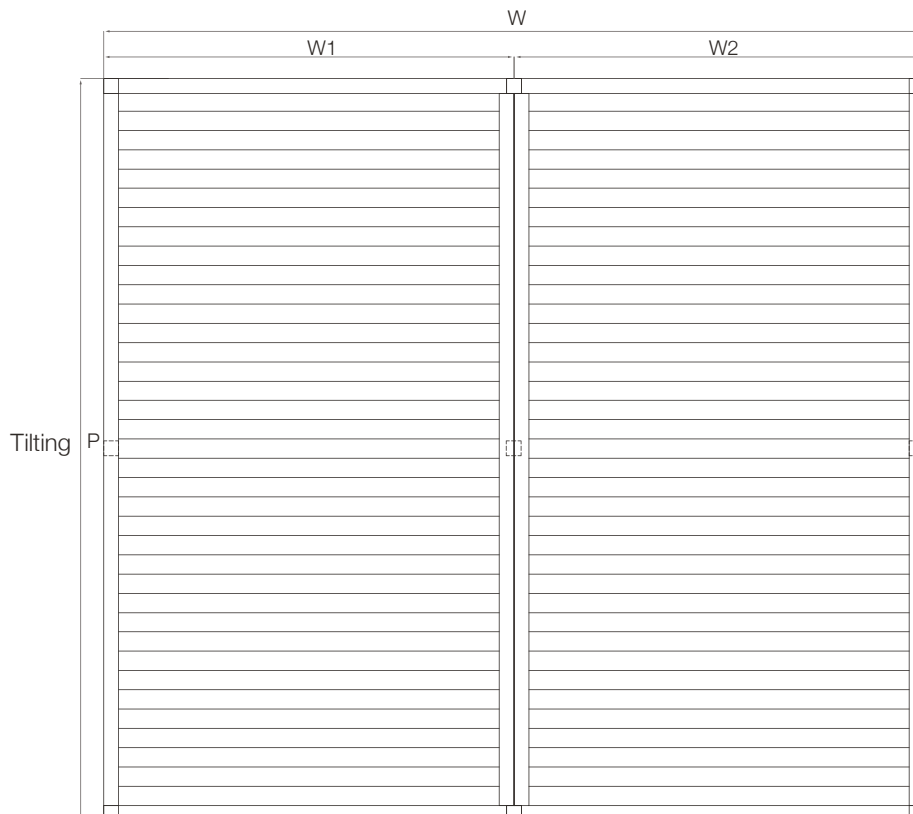
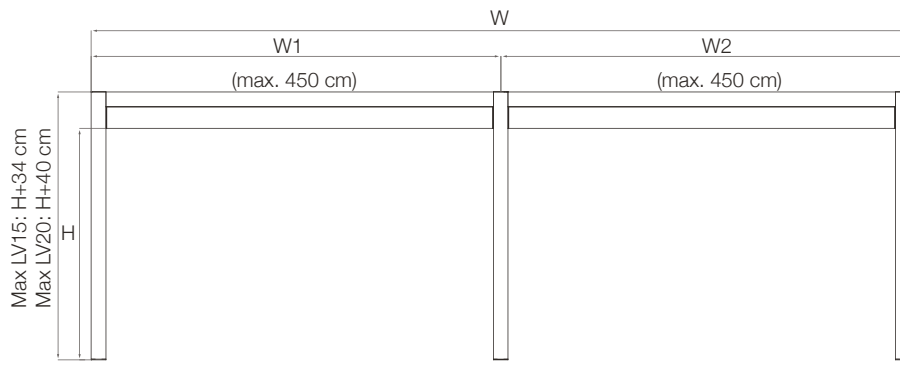
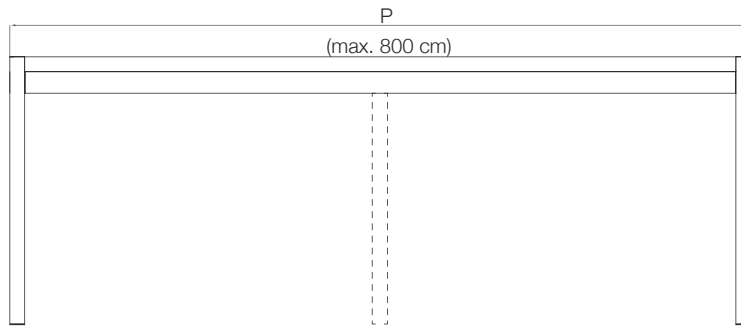
W: 135 cm < 450 cm

P: 147 cm < 800 cm



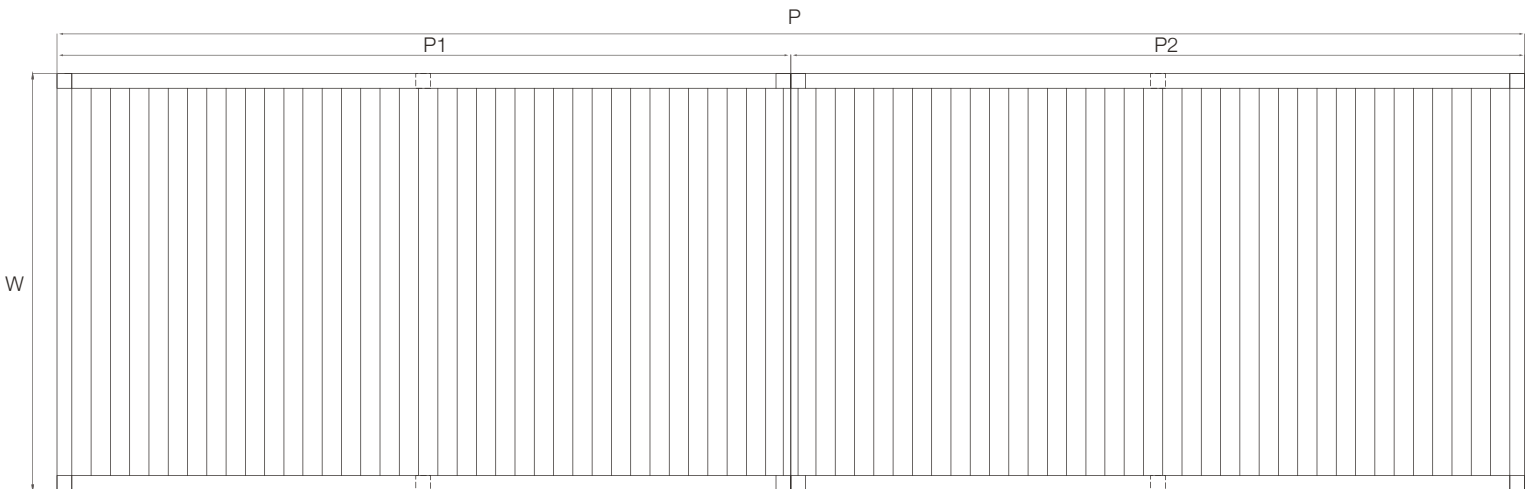
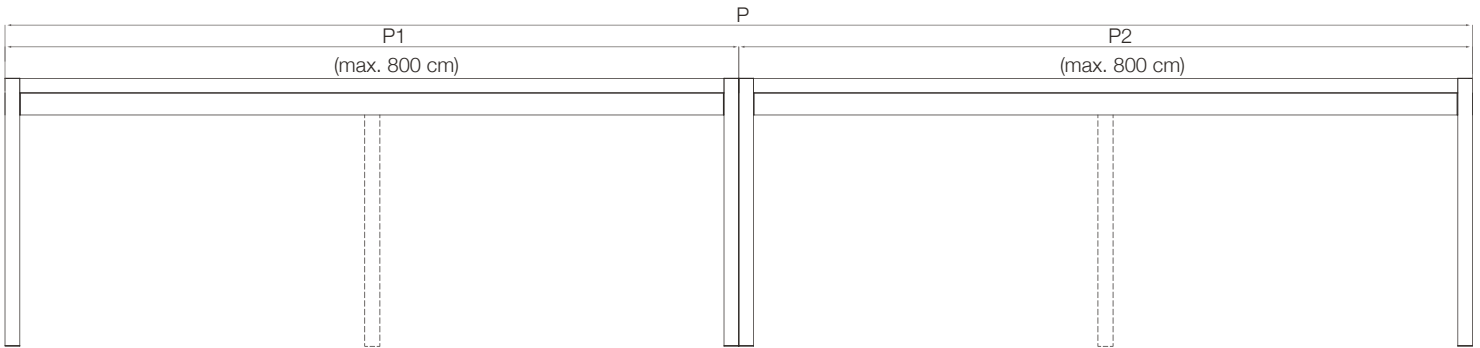
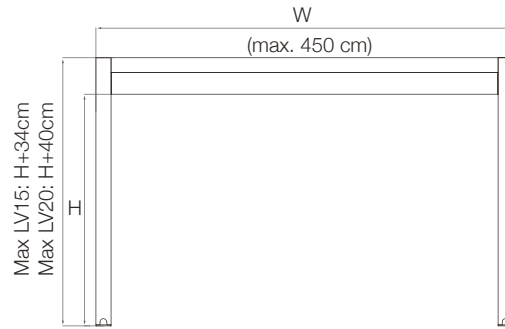
Multiple Modules Type 1
LV15
W: 270 cm < 900 cm
P: 122 cm < 800 cm

LV20
W: 270 cm < 900 cm
P: 147 cm < 800 cm



Multiple Modules Type 2
LV15
W: 135 cm < 450 cm
P: 244 cm < 1600 cm

LV20
W: 135 cm < 450 cm
P: 294 cm < 1600 cm



Order Form

Company Name:
Order Reference:

Order Date:
Quantity:

LOUVRE OPTION

- LV15
- LV20

INSTALLATION TYPES

- Self Standing
- Wall Mounting
 - Louvres Parallel to Wall
 - Louvres Vertical to Wall

DIMENSIONS

W - Total Width..... mm
P - Projection mm
H - Post Height..... mm
Total Number of Posts Required pc

- If modules are multiple and each module is in different width or projection. Please provide details (single module max. dimension is 4500x7860 mm / LV15 or 4500x7922 mm / LV20)

- Type 1 Type 2
- W1 mm P1 mm
- W2 mm P2 mm
-
-

POWDER-COAT COLORS

Structure

- | RAL colors | Exclusive colors | Texture colors | |
|-------------------------------|--------------------------------|---------------------------------|------------------------------------|
| <input type="checkbox"/> 9016 | <input type="checkbox"/> OGN35 | <input type="checkbox"/> ST9010 | <input type="checkbox"/> Other ... |
| <input type="checkbox"/> 1013 | <input type="checkbox"/> OS561 | <input type="checkbox"/> ST9001 | |
| <input type="checkbox"/> 9006 | <input type="checkbox"/> OY395 | <input type="checkbox"/> ST1013 | |
| <input type="checkbox"/> 7006 | <input type="checkbox"/> OGN39 | <input type="checkbox"/> ST7039 | |
| <input type="checkbox"/> 7016 | <input type="checkbox"/> ON617 | <input type="checkbox"/> ST7016 | |
| <input type="checkbox"/> 9005 | <input type="checkbox"/> ON611 | <input type="checkbox"/> ST8019 | |

Louvres

- | RAL colors | Exclusive colors | Texture colors | |
|-------------------------------|--------------------------------|---------------------------------|------------------------------------|
| <input type="checkbox"/> 9016 | <input type="checkbox"/> OGN35 | <input type="checkbox"/> ST9010 | <input type="checkbox"/> Other ... |
| <input type="checkbox"/> 1013 | <input type="checkbox"/> OS561 | <input type="checkbox"/> ST9001 | |
| <input type="checkbox"/> 9006 | <input type="checkbox"/> OY395 | <input type="checkbox"/> ST1013 | |
| <input type="checkbox"/> 7006 | <input type="checkbox"/> OGN39 | <input type="checkbox"/> ST7039 | |
| <input type="checkbox"/> 7016 | <input type="checkbox"/> ON617 | <input type="checkbox"/> ST7016 | |
| <input type="checkbox"/> 9005 | <input type="checkbox"/> ON611 | <input type="checkbox"/> ST8019 | |

LED LIGHTS

- Led Stripe Dimmer Lighting
 - Cool White - 5100K
 - Day Light - 2800K
- RGB Led - Hidden Stripe Lighting

OPTIONALS

- Supporting Post
- Insulation Foam
*Avl. for LV20 only
- Edge Cover Profile

COLUMN BASE OPTIONS

- Hidden (Standard)
- Flange
- Flange With Cover Cap

FLANGE POSITIONS

- Type A
- Type B
- Type C

DRAINAGE TYPES

- Type I
- Type II
- Type III

PACKAGING

- Standard
- Wooden Crate

- ADDITIONAL NOTES & DRAWINGS ATTACHED