

IZMIT MODEL

Technical information, specifications
& dimensions

Tel (305) 628-2424

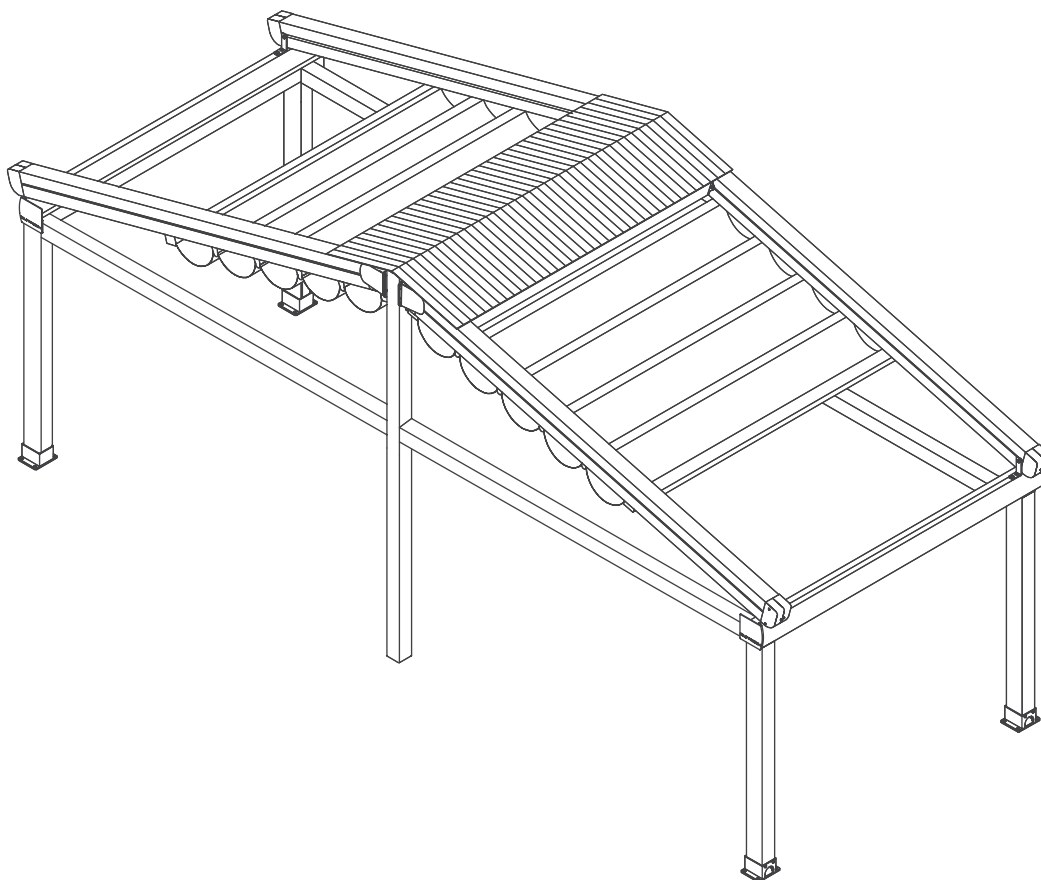
Tel (866) 438-2964

Email: info@retractableawnings.com



All weather protection systems!

RETRACTABLE
AWNINGS.COM



All information contained in this document was provided by the manufacturer of the components for this particular model. As a fabricator/distributor, Retractableawnings.com Inc. claims no liability with respect to these documents as we are not engineers and did not complete any of the information, engineering or calculations in this document.

All measurements in this document are metric. To convert from metric (meters, centimeters and millimeters) to imperial (feet and inches) visit this website:
http://www.onlineconversion.com/length_common.htm

Izmit double sided retractable pergola system

The double sided retractable pergola system provide an elegant solution for any projects. Each of the custom designs are installed according to site specifications and can easily be adapted as required. This model provides an outdoor covering system with an architectural edge to allow outdoor areas to be used in all weather conditions. The system offers a wind rating up to Beaufort class 11 (up to 117km/h).

The site specific models are manufactured to size using high grade 6063 extruded aluminium profiles finished with thermosetting powder coating which provides superior overall performance for exterior product applications. All bolts, screws and pins are high grade stainless steel to ensure extended system life.

The rafter profiles (LT: 80mm x 125mm / XL: 110mm x 160mm) have been designed with unique water guard side channels and cast aluminium end plates to allow for projection dimensions up to LT: 14m / XL: 20m per system. The width dimensions are customised according to site requirements and available in any size up to 13m. The system offers up to LT: 182sqm / XL: 260sqm of protection with a touch of button but when required linking multiple systems is also possible and made easy by our patented storm channel joining system that ensures 100% waterproof join every time. The system also includes an integrated gutter system with internal drainage to carry away even the heaviest rain.

Remote controlled motorisation is provided by utilising European technology through a custom built direct drive motor system to ensure smooth and quick operation at 26RPM. The optional hi powered LED-TEC lighting system provides a practical touch of class and when coupled with a remote dimming controller allows the user to change the mood to suit the surrounding environment.

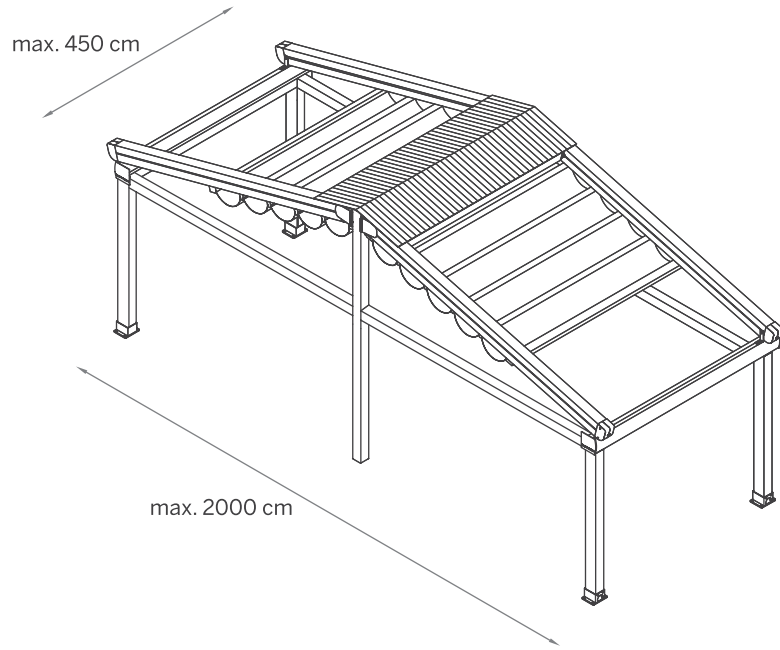
The heart of the system is driven by the F3 eight wheeled slider carriages (each F3 slider carriage has a load limit of 600kgs) that incorporates a triple layer barrier system and works in conjunction with a timing belt that has been reinforced with multiple internal stainless steel cables to provide a pulling strength of over 966kg. This tension is applied to the fabric membrane to allow an angle of 6 degrees fall possible and ensure all water drains away in the internal gutter system.

The fire rated and 100% waterproof architectural membrane is available in a range of colours in both opaque and transparent that provides maximum stability and resistance to temperature, moisture and dirt. It does not shrink or bag, and the acrylic top coating makes it very easy to clean for years to come. When not in use the fabric is neatly retracted under the systems hood to provide protection from the elements when not required.

To ensure the highest level of protection systems focus on all the details, this is why all systems come standard finished with Stormguard soft touch edge seal on all parameters. Stormguard provides the ultimate protection against rain and draught intrusion around the outside of the system and is only available on our systems. Stormguards soft touch edge seal is produced from an extra soft & flexible Natural rubber to ensure the best possible protection from the elements.

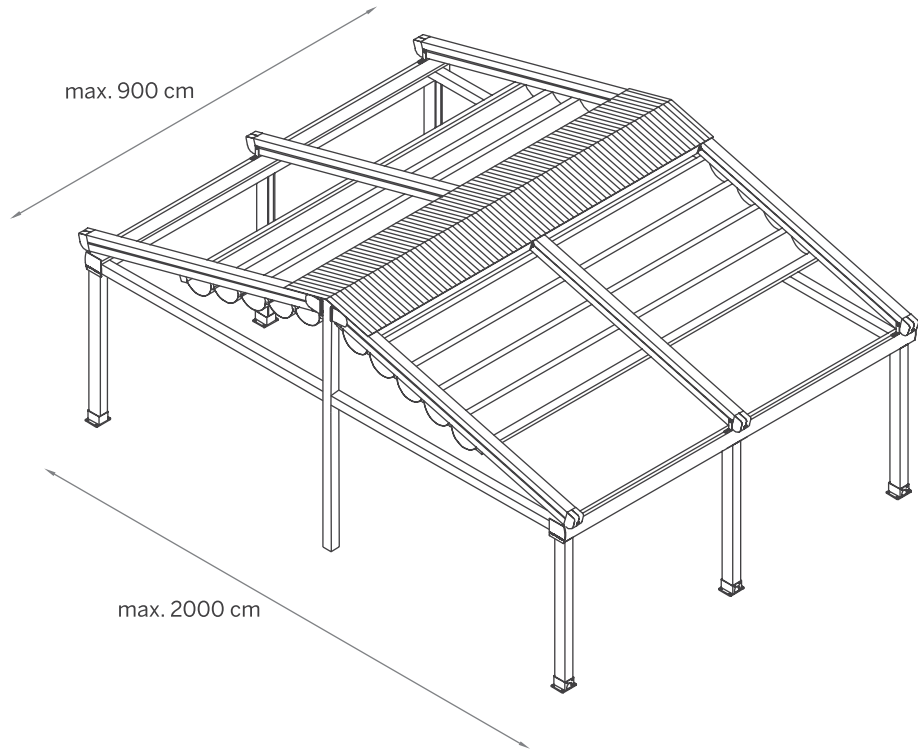
One Module

200 cm > 450 cm
One Module with 2 motors & 4 rafters



Two Modules

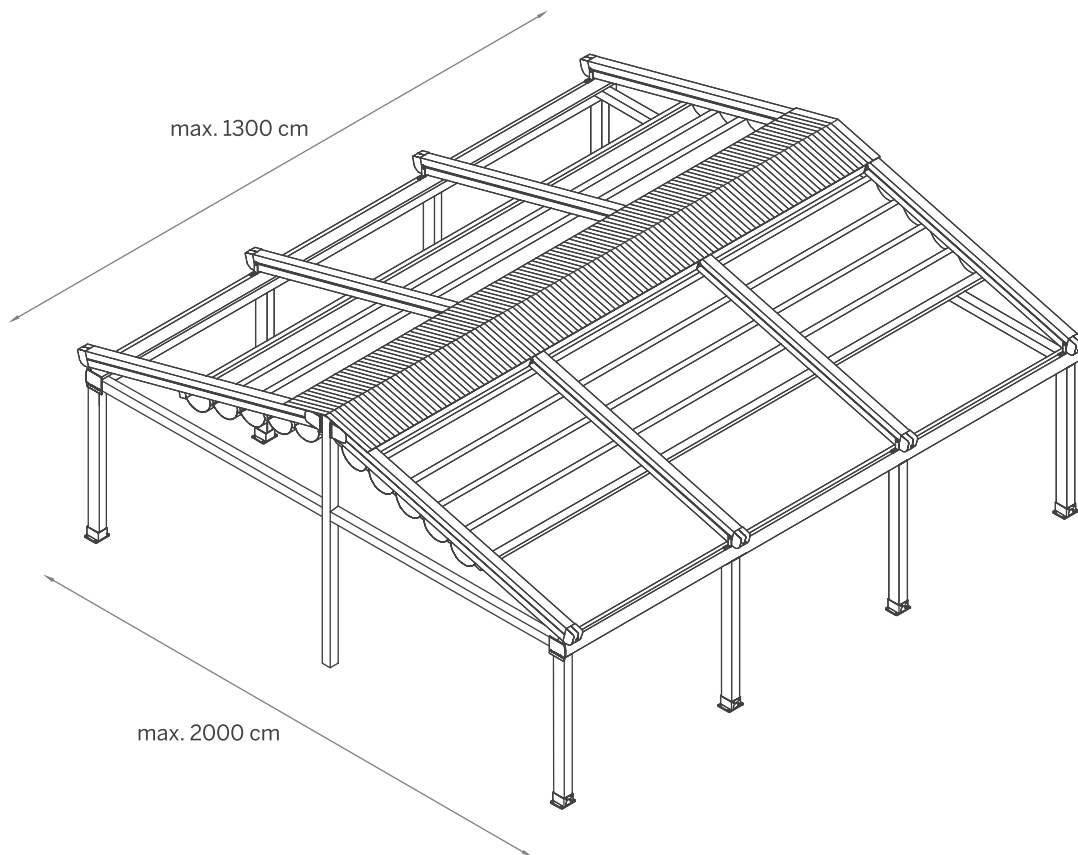
450 cm > 900 cm
Two Modules with 2 motors & 6 rafters

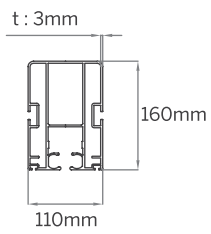
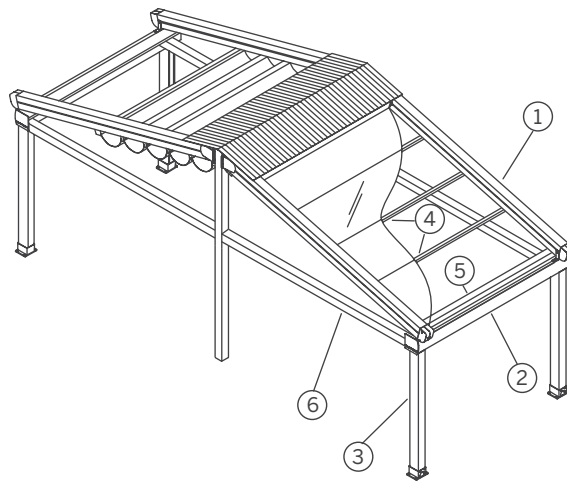


Three Modules

900 cm > 1300 cm

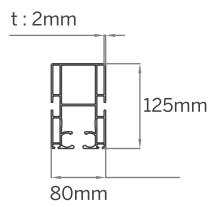
Three Modules with 2 motors & 8 rafters





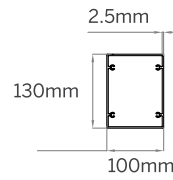
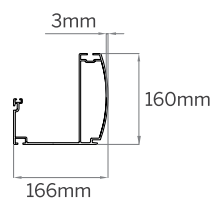
XL

① Rafter

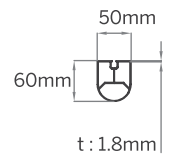


LT

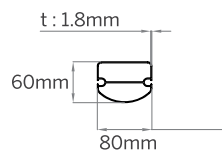
② Gutter



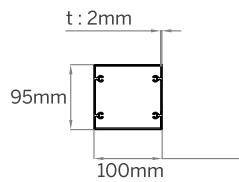
③ Post



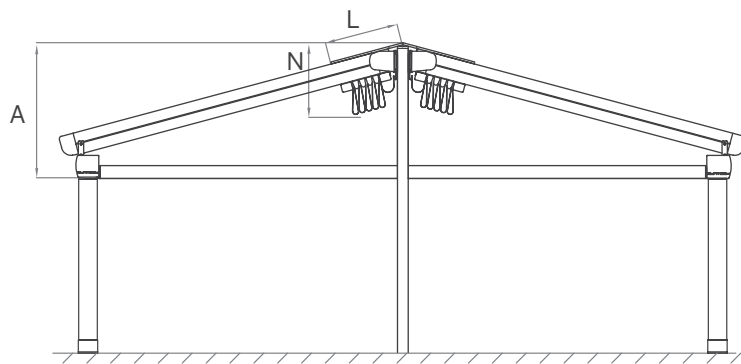
④ Fabric Support (HDD Lux)



⑤ Puller Profile (HDD Lux)



⑥ Side Rafter



LT

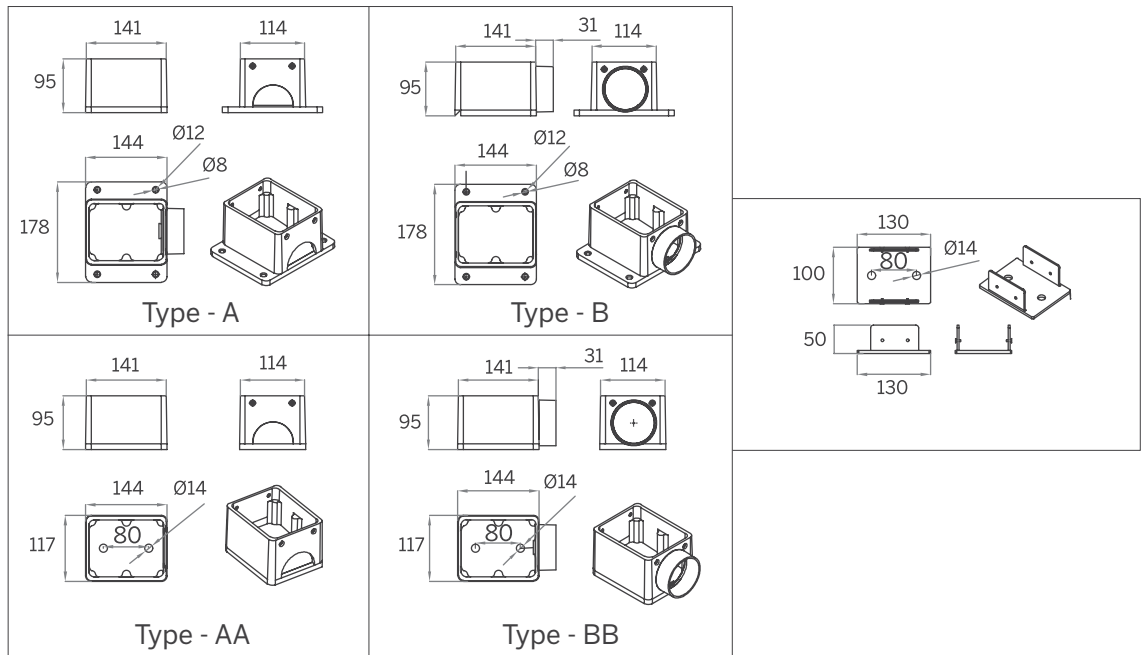
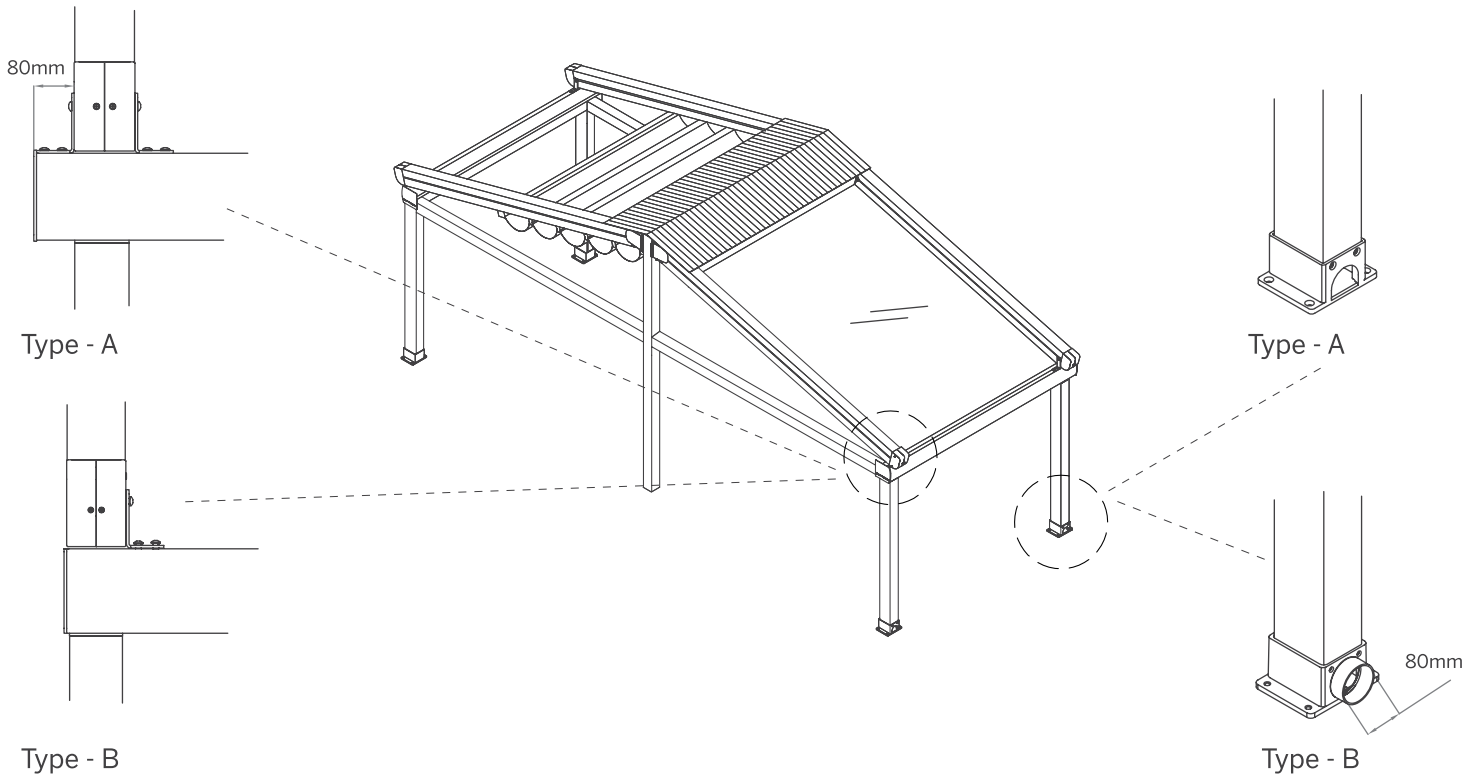
	Fabric Height	Hood	Fall	Fab.Sup.Profiles
	(N*) mm	(L*) mm	(A*) mm	pc*
600	414	701	645	14
700	420	766	706	16
800	426	821	768	18
900	439	931	829	22
1000	446	986	891	24
1100	453	1041	952	26
1200	460	1096	1013	28
1300	466	1151	1075	30
1400	473	1206	1136	32

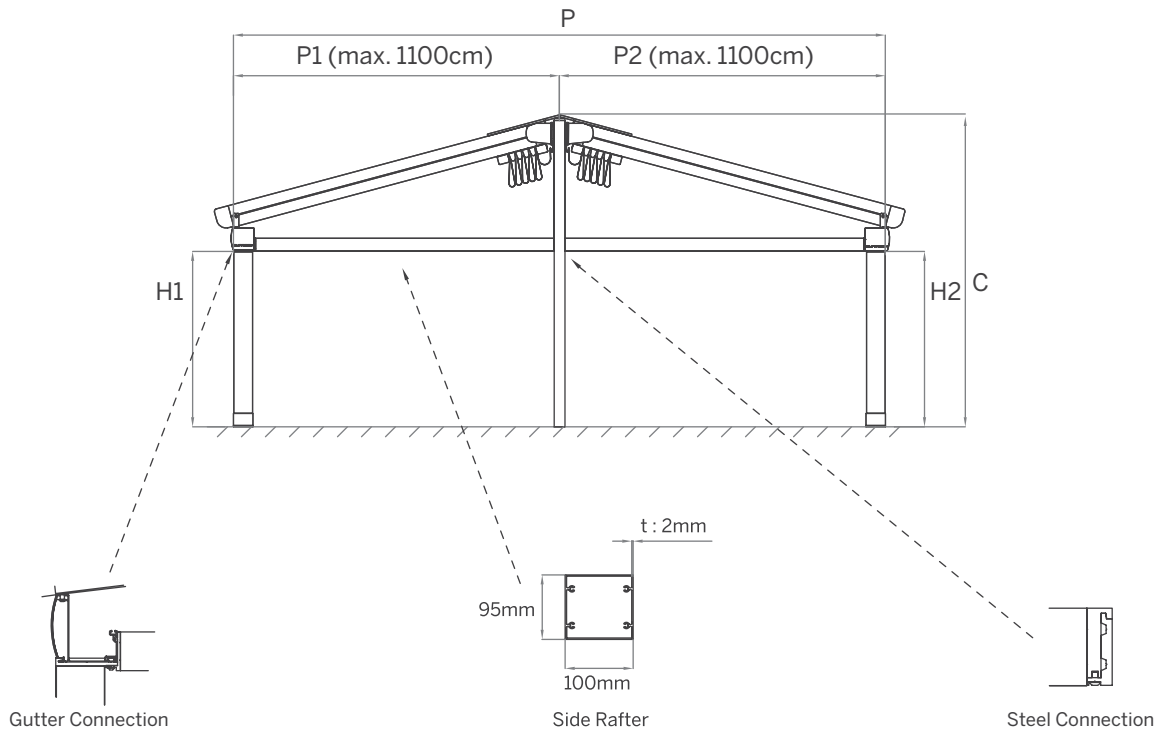
*With min. inclination of 7°. Values can vary by other inclination values.

XL

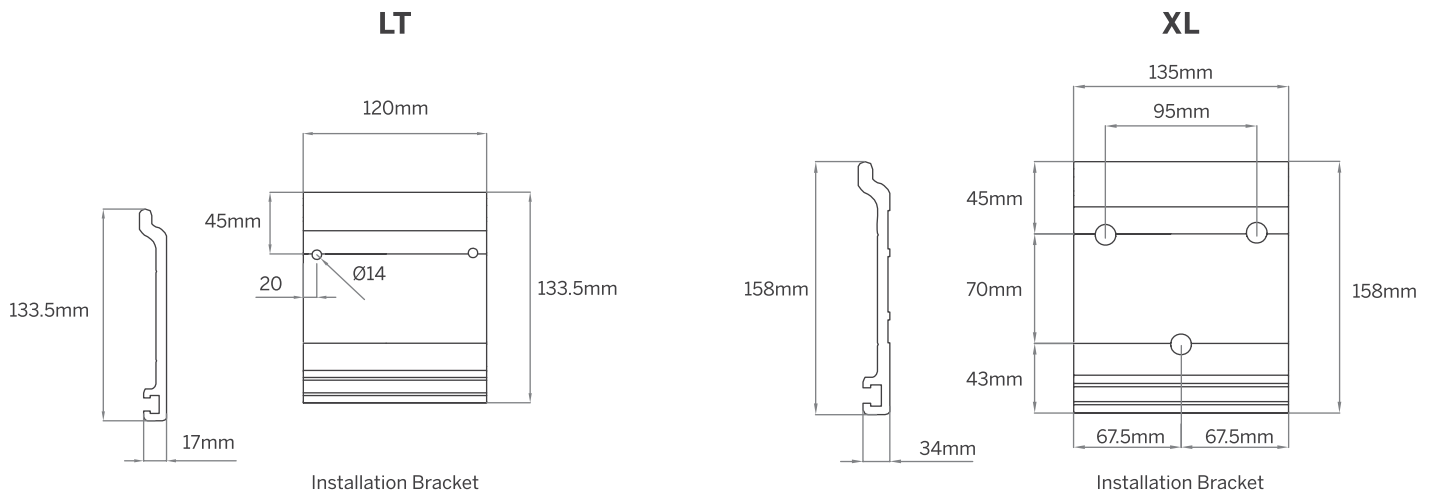
	Fabric Height	Hood	Fall	Fab.Sup.Profiles
	(N*) mm	(L*) mm	(A*) mm	pc*
600	438	706	671	14
700	446	761	733	16
800	453	816	794	18
900	466	926	856	22
1000	472	981	917	24
1100	479	1036	978	26
1200	486	1091	1040	28
1300	492	1146	1101	30
1400	499	1201	1163	32
1500	506	1256	1224	34
1600	513	1311	1285	36
1700	525	1421	1347	40
1800	532	1476	1408	42
1900	539	1531	1470	44
2000	546	1586	1531	46

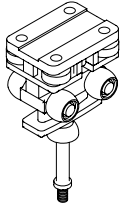
*With min. inclination of 7°. Values can vary by other inclination values.





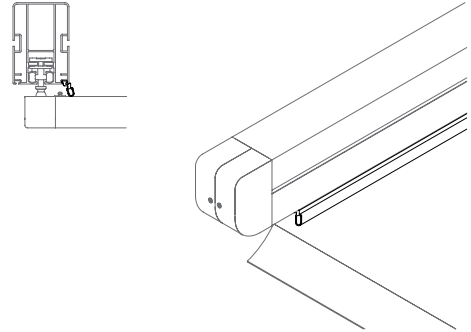
Over 800 cm projection, a support column needed for side rafter





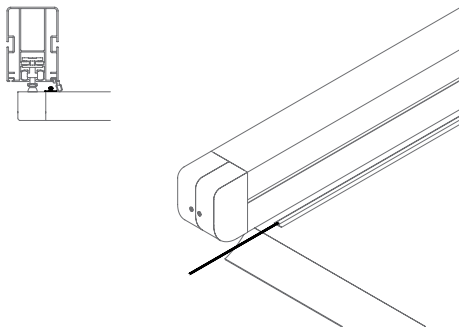
F3 Eight wheel slider

Four horizontal & four vertical rollers working together for perfectly smooth operation every time. The F3 eight wheel system is proven to remove the jamming issue that occurs with the 4 wheel system and can take loads of upto 600KG.



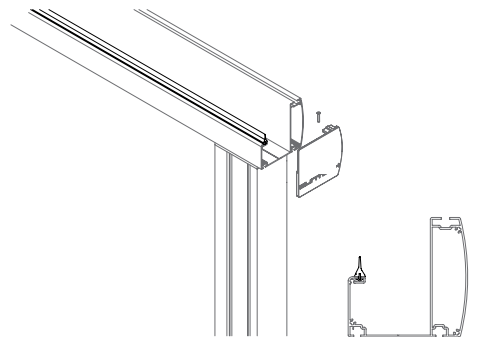
Rafter stormguard edge seal

The rafter Stormguard edge seal stops water from dripping over the side of the system by providing a soft cushioning barrier along the side of the system.



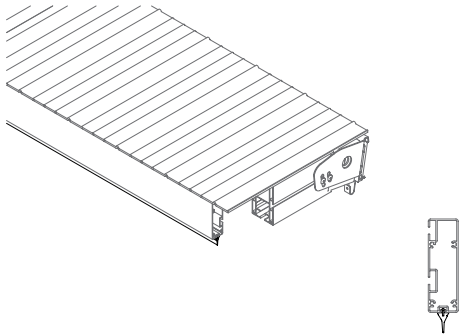
Fabric anti-drop edge cord with electrical cable

The fabric anti-drip edge cord with integrated lighting electrical cable works in conjunction with the Stormguard edge seal to prevent any water leaks over the side of the system.



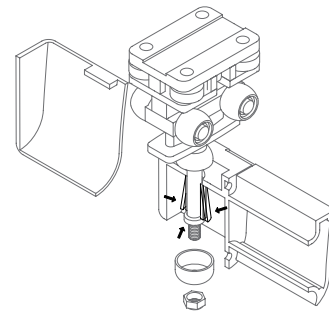
Gutter stormguard seal

The Stormguard gutter seal provides a perfect seal to prevent water leaks along the front of the system from driving rain or splashing from the gutter.



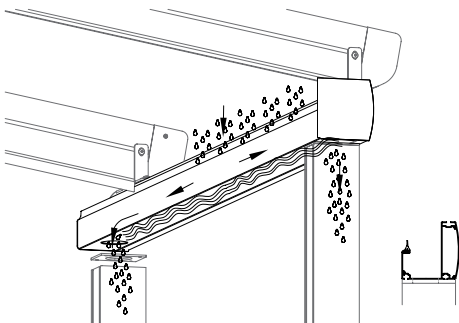
Hood stormguard seal

The Stormguard hood seal provides the perfect seal to prevent driving rain & wind coming in under the hood profiles.



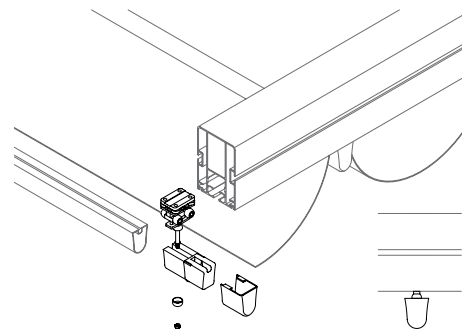
F3 slider easy clip installation

The F3 system has been designed for ease of use, to save time on installations and reduce the number of staff required. Each F3 slider can take loads of upto 600KG once in place.



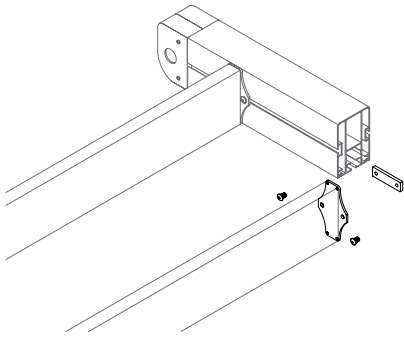
Integrated gutter & internal drainage system

The integrated gutter system provides the perfect solution for water drainage.



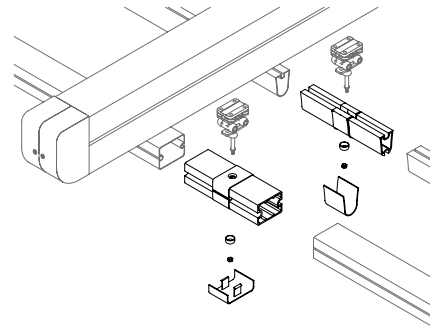
F3 slider and fabric profile assembly

The system has been designed for ease of assembly to save time on installations and reduce the number of staff required.



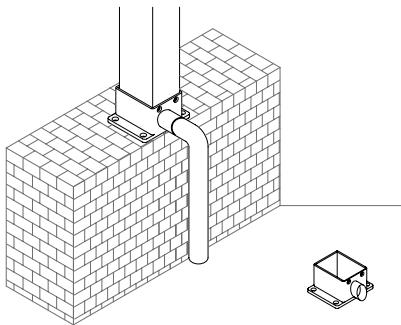
Motorbox support & hood support profile easy installation

Each support profile is easy to install and simple to adjust at the time of installation.



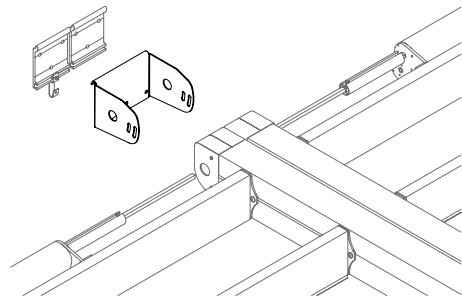
Easy clip intermediate joints (for 2 & 3 module systems)

The Easy clip intermediate joints have been designed for ease of site assembly to save time and reduce the number of staff required.



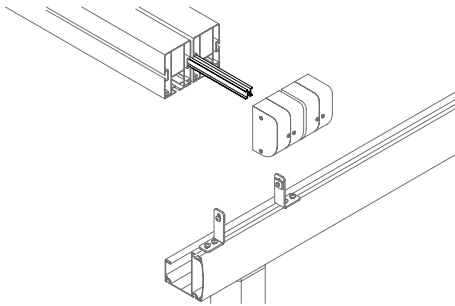
Base plate with external spout

This base plate provides a water dispersal solution.



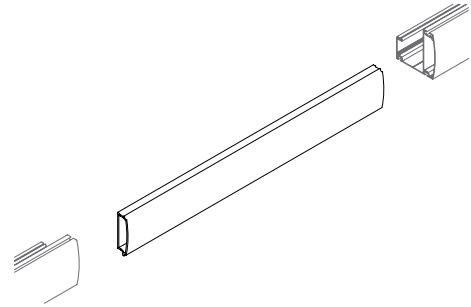
Double rafter hang bracket kit

An advanced solution for installing two rafters at once.



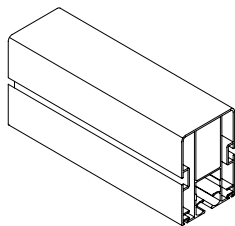
Storm channel for joining system

The storm channel is patented solution for joining two systems side by side with a waterproof join.



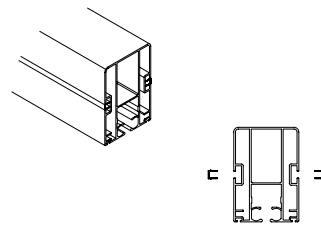
Gutter profile joining bar

A smart solution for joining the gutter profiles.



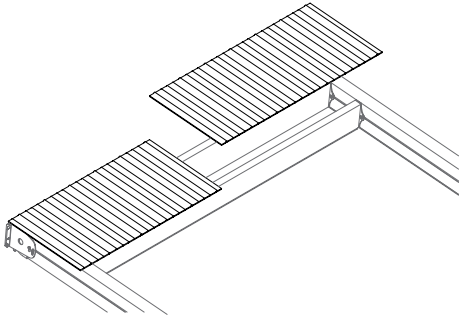
Rafter profile with side channels for easy installation

The rafter profiles are designed with functional side channels for easy installation.



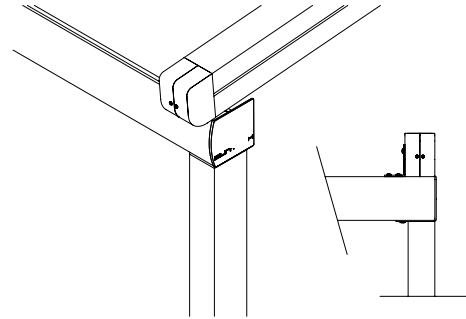
Side channel cover profile for conveyor rafters.

The cover profile is designed to complete compact view of the rafters.



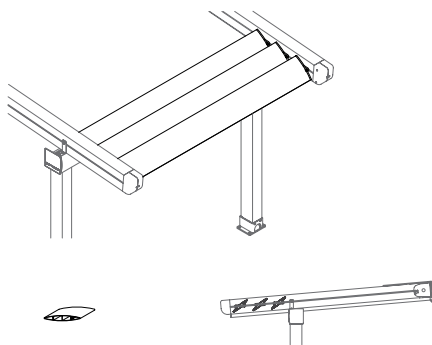
Hood profile sheets

hood profile sheets provide an attractive covering solution for the system when not in use. The low profile aesthetic design offers additional protection to the system with a chic touch.



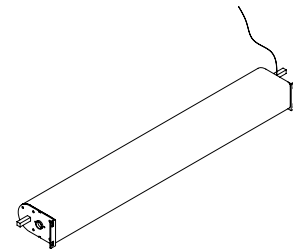
Gutter flush with rafter

Gutter solution when the system is installed next to a wall or no overhang of the gutter is required.



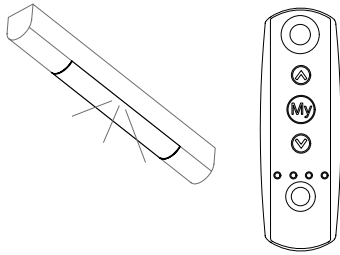
Aerofoil Louvres

The addition of Aerofoil louvres can provide added shade when the system is closed.



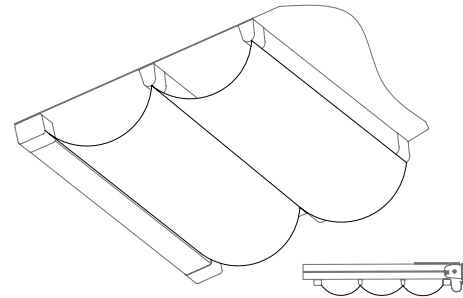
Compact 26rpm direct drive motor box

The direct drive motor system is a quick and efficient system that drives all conveyor rafters at the same time. The low profile design also allows the fabric to be stored underneath the motor which saves additional space.



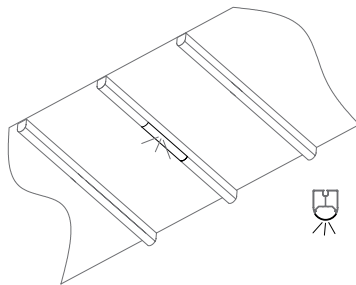
LED-TECH dimmer setup

LED-TECH dimmer lighting is an integrated lighting solution



Decorative fabric under layer

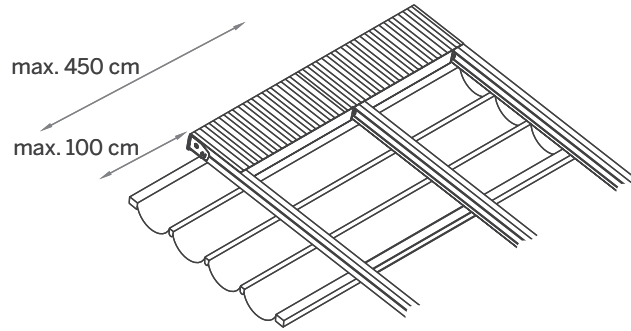
The second decorative fabric under layer of fabric can provide an elegant touch of design.



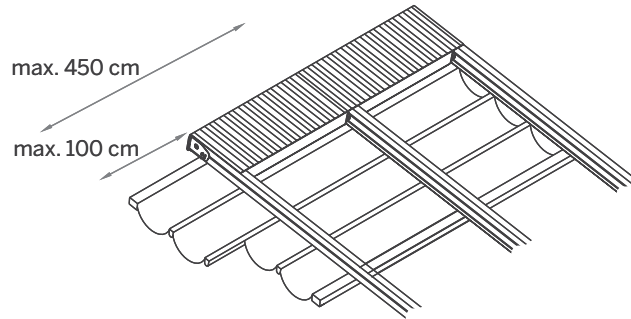
LED-TECH high powered lighting

LED-TECH lighting is an integrated lighting solution

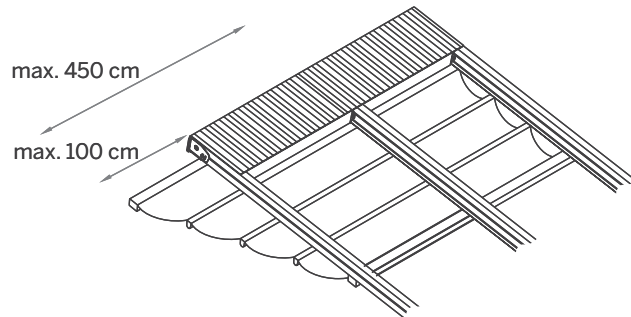
type I

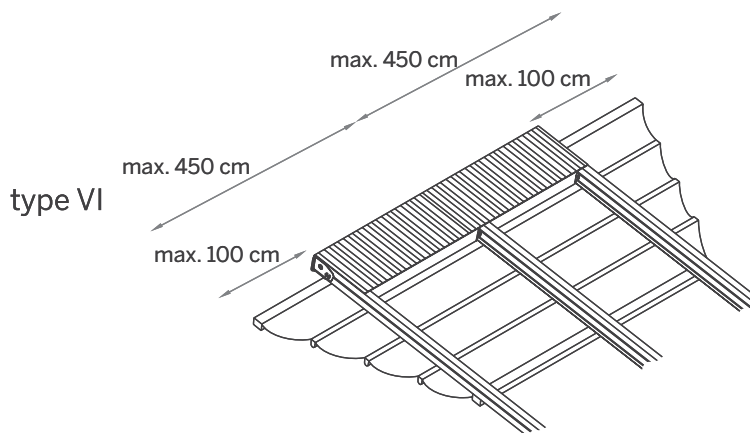
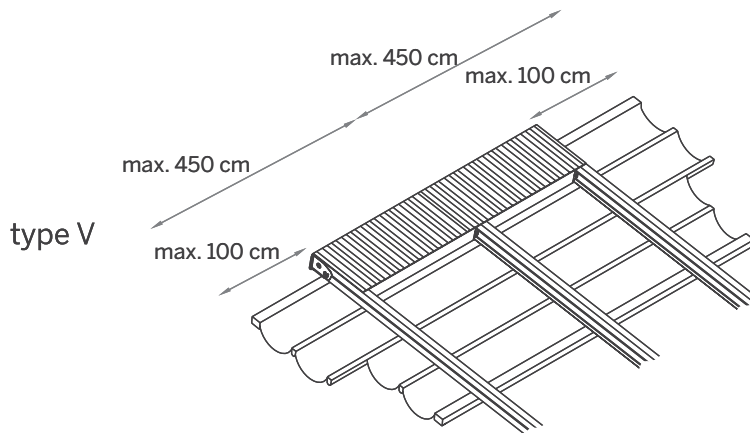
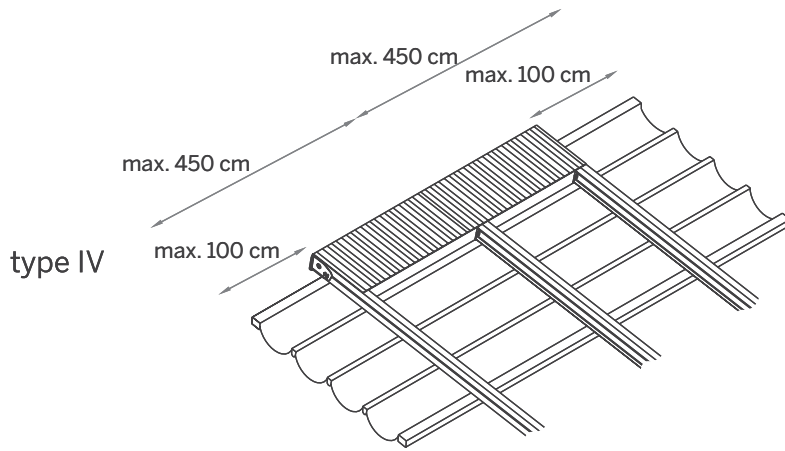


type II



type III

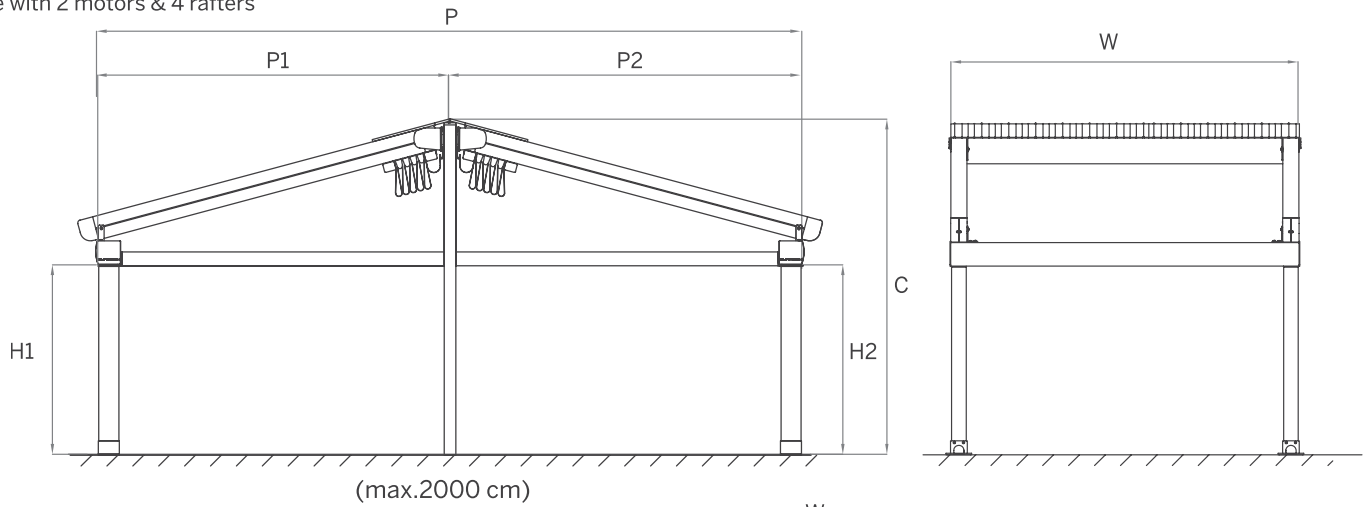




Each system is available with an optional overhang to allow the covered area to protrude past the rafter profile. Site specific overhang solutions such as stepped or wedge shapes are also an effective way to get maximum coverage for your areas.

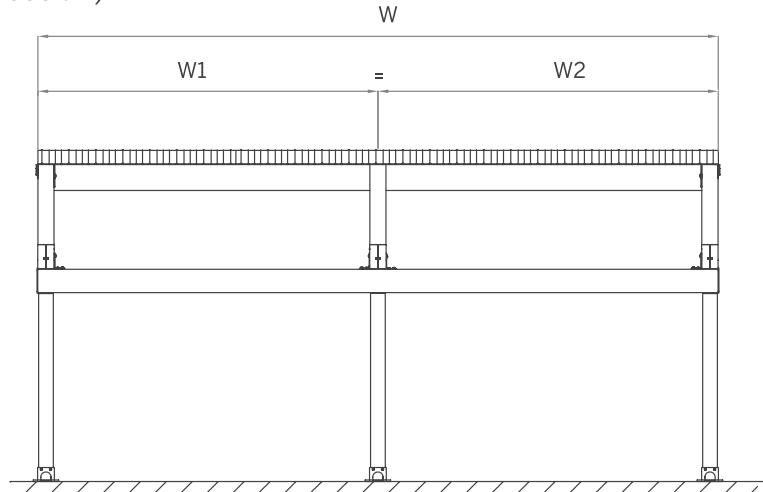
One Module

200 cm > 450 cm
One Module with 2 motors & 4 rafters



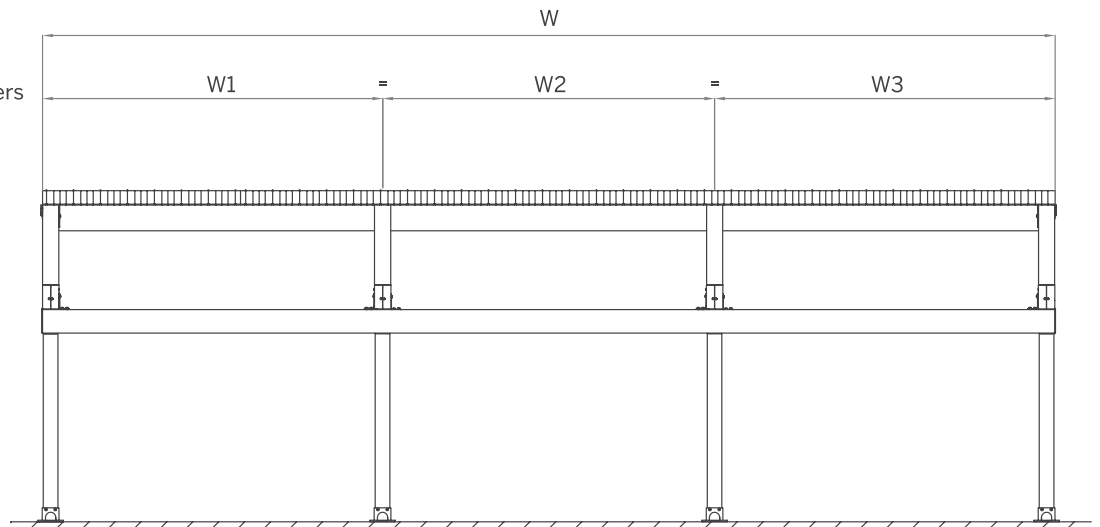
Two Modules

450 cm > 900 cm
Two Modules with 2 motors & 6 rafters



Three Modules

900 cm > 1300 cm
Three Modules with 2 motors & 8 rafters



IZMIT ORDER FORM

Company Name:

Order Date:

Order Reference:

Quantity:

SERIAL XL LT

DIMENSIONS

W - Total Width cm

P1 - Projection cm

P2 - Projection cm

C - Middle Height cm

H1 - Front Height cm

H2 - Front Height cm

Total Number of Posts Required pc

(Maximum span between posts with gutter profile is 600cm)

If modules are multiple and each module is in different width, please provide details (max. width for single module is 450cm, double modules 900cm, triple modules 1300cm)

W 1cm

W 2cm

W 3cm

POWDERCOAT COLORS

RAL colors

Exclusive colors

Texture colors

RAL 9016

OGN35

ST9010

Other...

RAL 1013

OS561

ST9001

RAL 9006

OY395

ST1013

RAL 7006

OGN39

ST7039

RAL 7016

ON617

ST7016

RAL 9005

ON611

ST8019

FABRIC

Basic

Semi Transparent

WT785 / White

STRW22 / White

Other...

CR295 / Cream

STRB33 / Black

Xclusive

Matt

WTEX / White

MW23 / White

CRMX / Cream

MC26 / Cappuccino

GRYX / Grey

OPTIONALS

HDD LUX High Power Led Lighting

Dimmer Kit

Aerofoil Louvre (Line) pc

Support Post of Side Rafter cm
Quantity pc

Gutter Flush with Rafter (Type B-Flush Finish)

Additional Rail pc

Cover Profile

Supporting Steel Structure With Post (Galvanized)

Additional Post Of Supporting Steel Structure pc

Additional Post Of Supp. Steel Str. (Galvanized) pc

Side Overhang (max. 100cm per side) Type..... (I / II / III / IV / V / VI)
Left Overhang:.....cm Right Overhang:.....cm

Storm Channel for Joining System & Double Rafter Wall
Bracket Kit (for Multiple Systems)

POST INSTALLATION BASE

Type A (Arch Opening)

Type AA (Without Extension)

Type B (Spout)

Type BB (Without Extension)

Type Hidden

NOTES:

ADDITIONAL NOTES & DRAWINGS ATTACHED