

Mersin technical information, specifications, dimensions & options

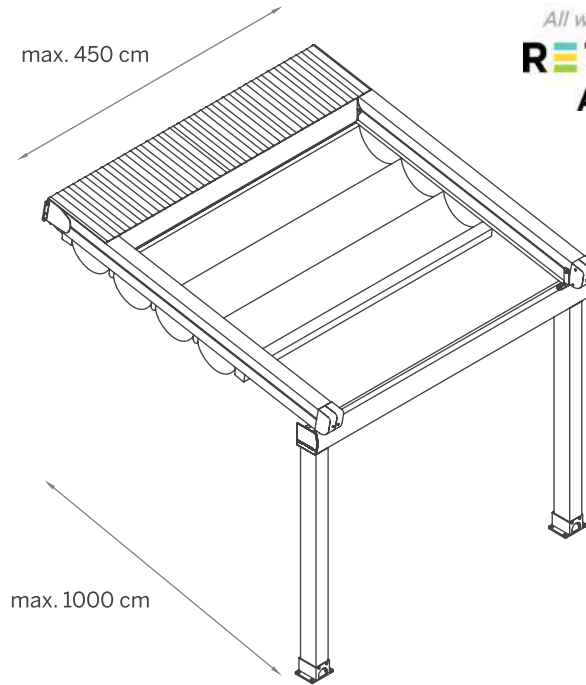
Tel (305) 628-2424 Email: info@retractableawnings.com
Tel (866) 438-2964
Email: info@retractableawnings.com



All weather protection systems!
RETRACTABLE
AWNINGS.COM

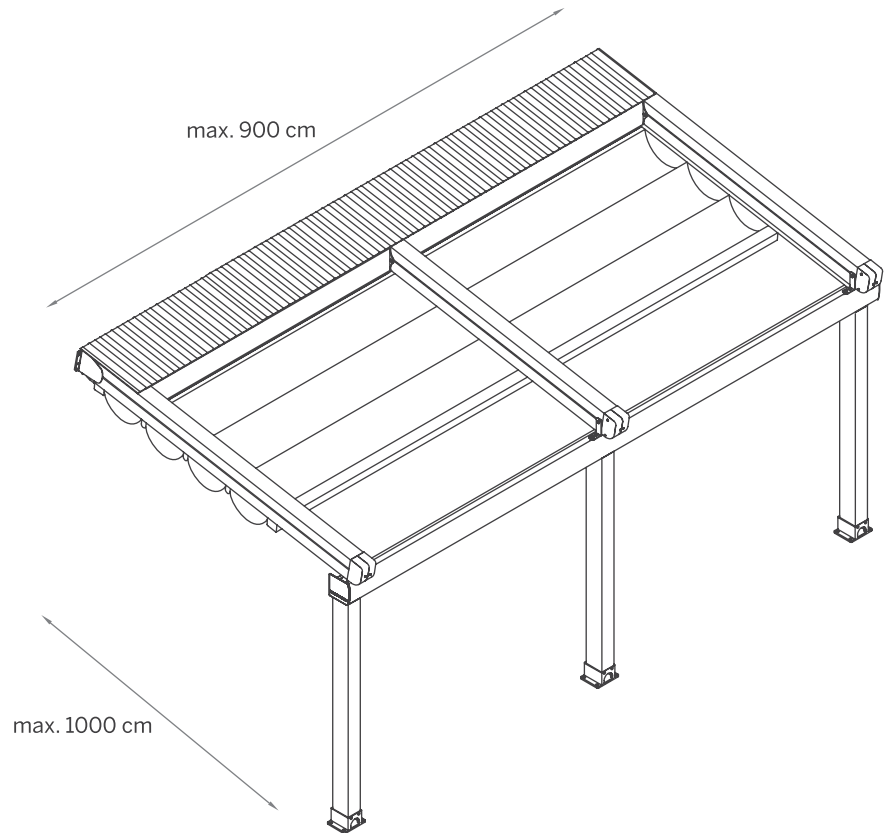
One Module

200 cm > 450 cm
One Module with one motor & 2 rafters



Two Modules

450 cm > 900 cm
Two Modules with one motor & 3 rafters

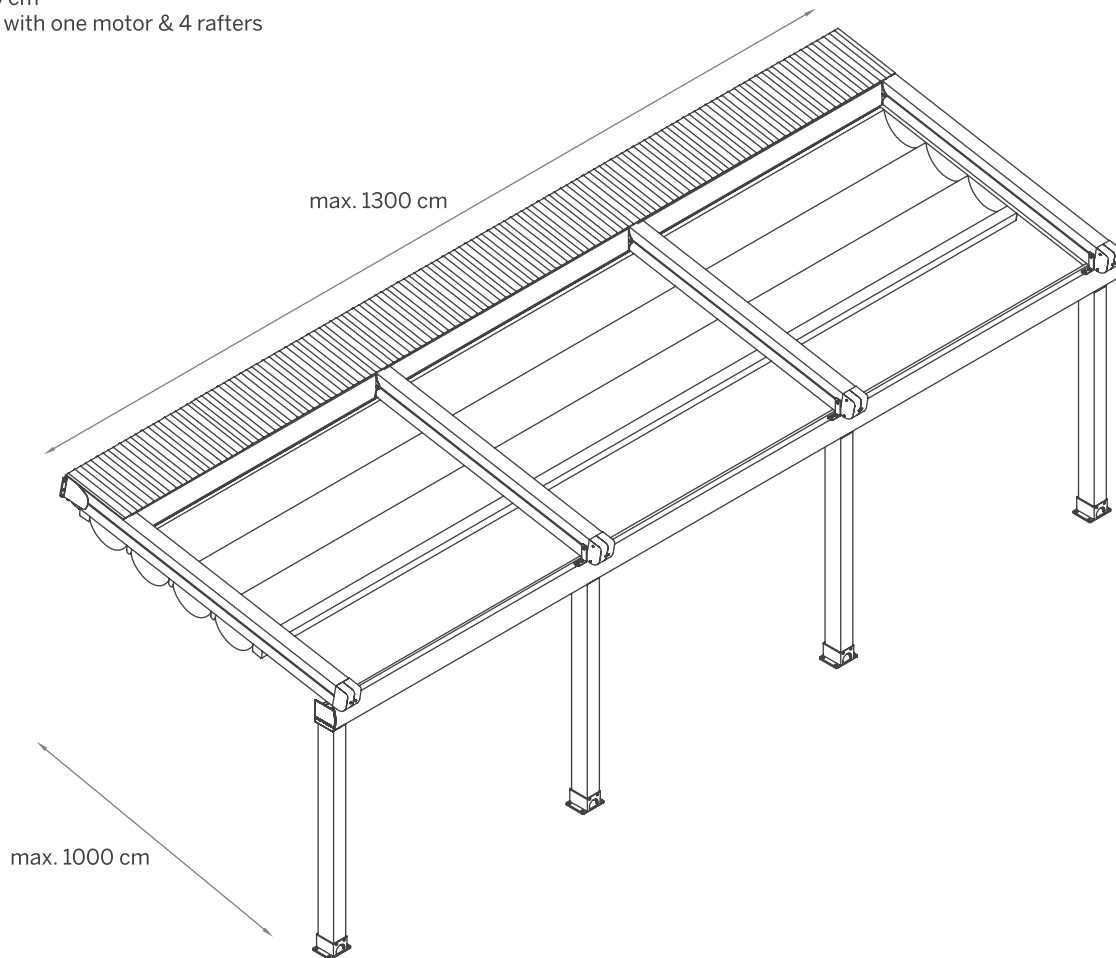


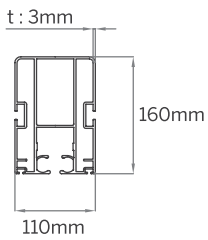
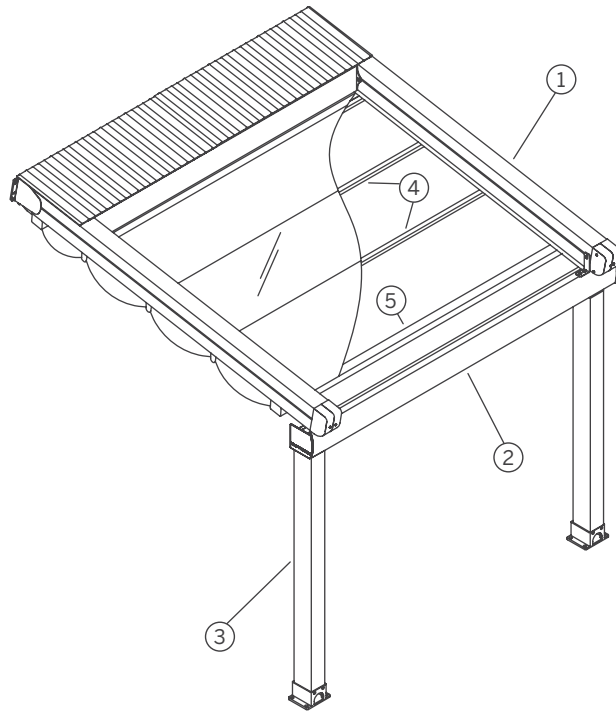
http://www.onlineconversion.com/length_common.htm
All information contained in this document was provided by the manufacturer of the components for this particular model. As a fabricator/distributor, Retractableawnings.com Inc. claims no liability with respect to these documents as we are not engineers and did not complete any of the information, engineering or calculations in this document.
All measurements in this document are metric. To convert from metric (meters, centimeters and millimeters) to imperial (feet and inches) visit this website:
http://www.onlineconversion.com/length_common.htm

Three Modules

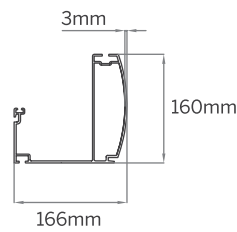
900 cm > 1300 cm

Three Modules with one motor & 4 rafters

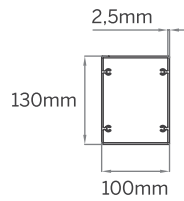




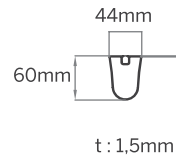
① Rafter



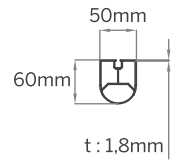
② Gutter



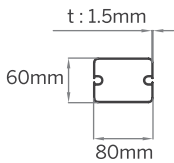
③ Post



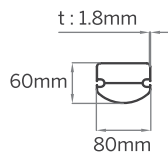
④ FabricSupport (Standart)



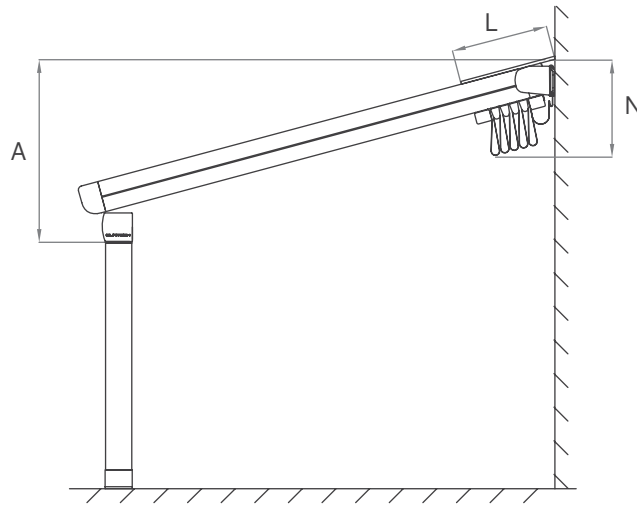
④ Fabric Support (HDD Lux)



⑤ Puller Profile (Standart)

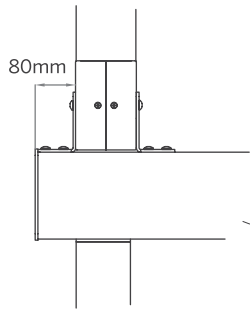


⑤ Puller Profile (HDD Lux)

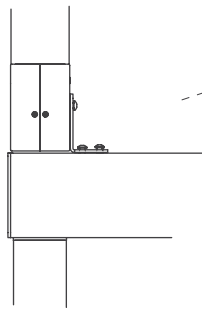


	Fabric Height	Hood	Fall	Fab.Sup.Profiles
	(N*) mm	(L*) mm	(A*) mm	pc*
300	438	646	671	7
350	446	701	733	8
400	453	756	794	9
450	466	866	856	11
500	472	921	917	12
550	479	976	978	13
600	486	1031	1040	14
650	492	1086	1101	15
700	499	1141	1163	16
750	506	1196	1224	17
800	513	1251	1285	18
850	525	1361	1347	20
900	532	1416	1408	21
950	539	1471	1470	22
1000	546	1526	1531	23

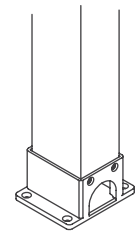
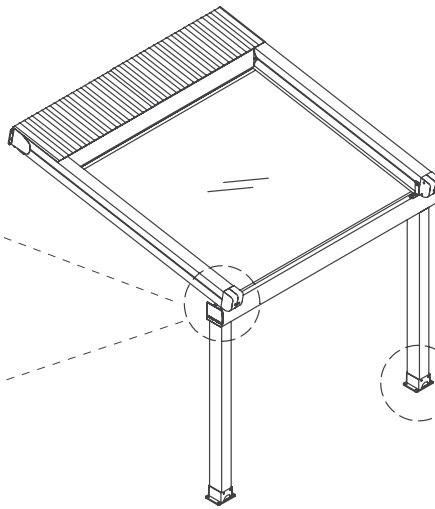
*With min. inclination of 7°. Values can vary by other inclination values.



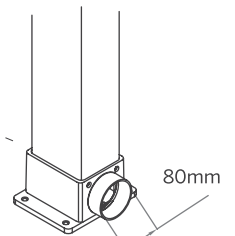
Type - A



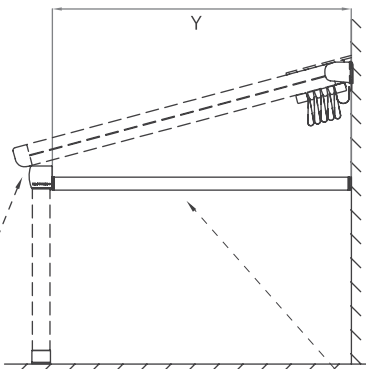
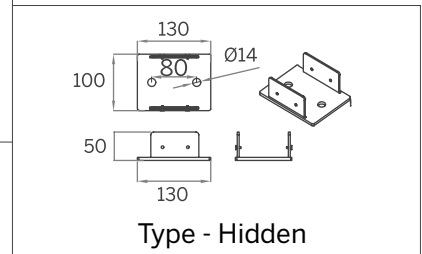
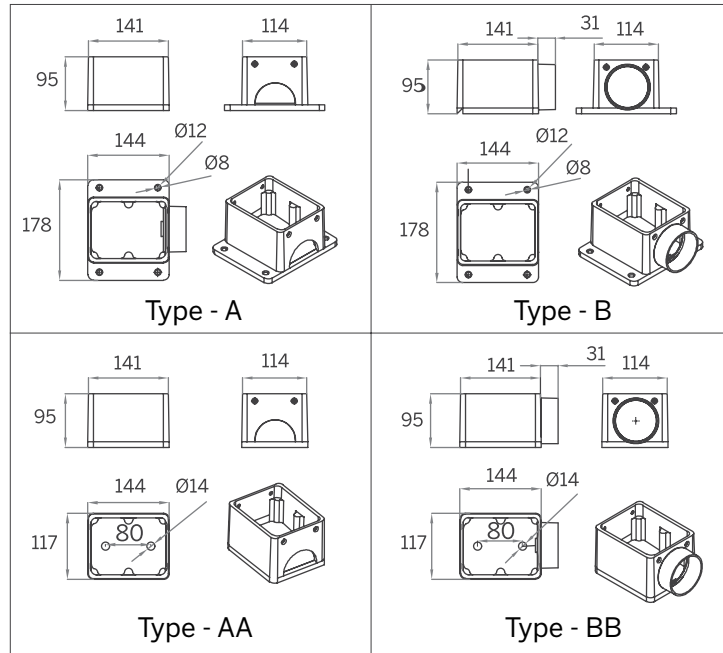
Type - B



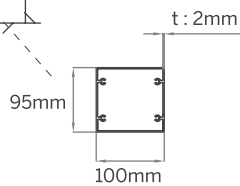
Type - A



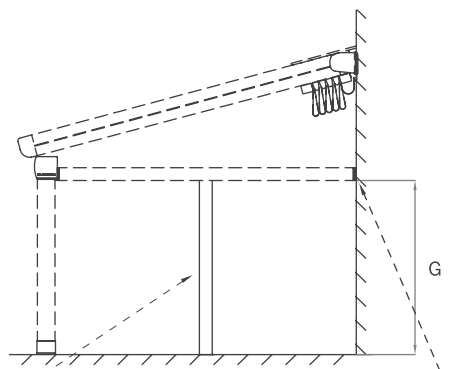
Type - B



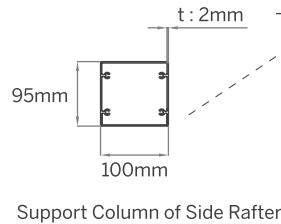
Gutter Connection



Side Rafter

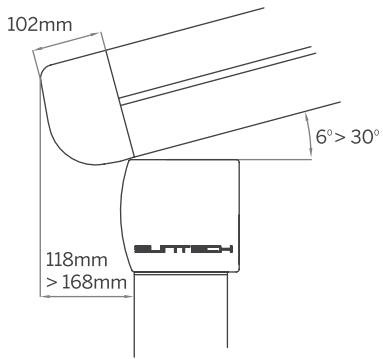
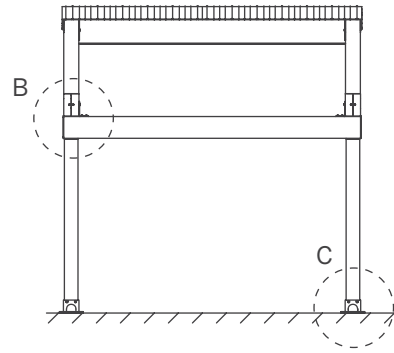
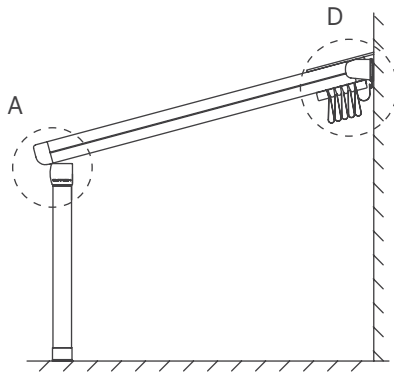


Wall Connection

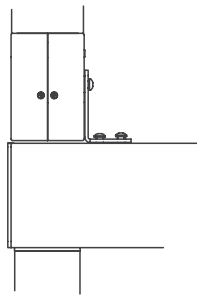


Support Column of Side Rafter

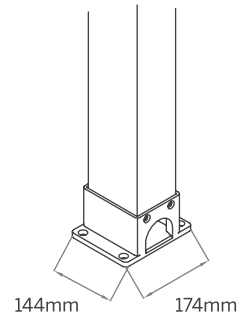
Support Column of Side Rafter is installed when length of side rafter is over 800 cm



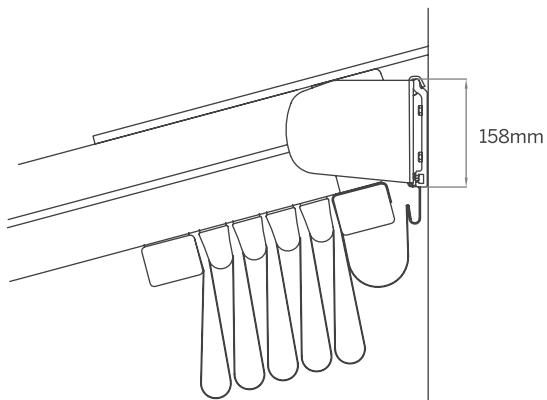
DETAIL A



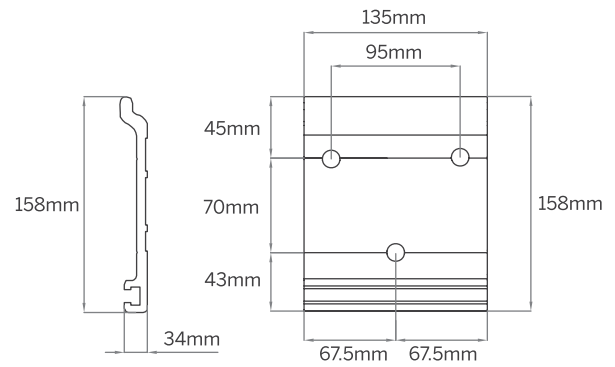
DETAIL B



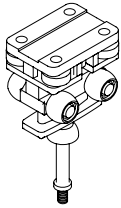
DETAIL C



DETAIL D

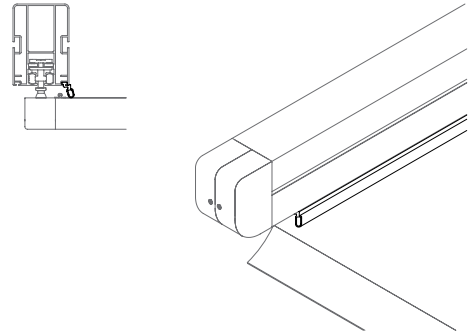


Installation Bracket



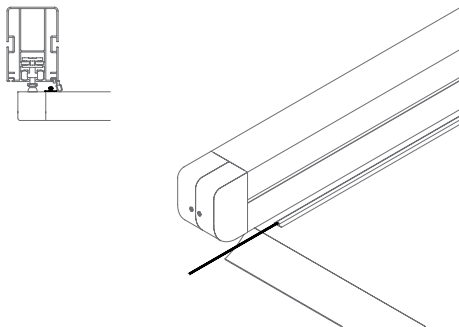
F3 Eight wheel slider

Four horizontal & four vertical rollers working together for perfectly smooth operation every time. The F3 eight wheel system is proven to remove the jamming issue that occurs with the 4 wheel system and can take loads of upto 600KG.



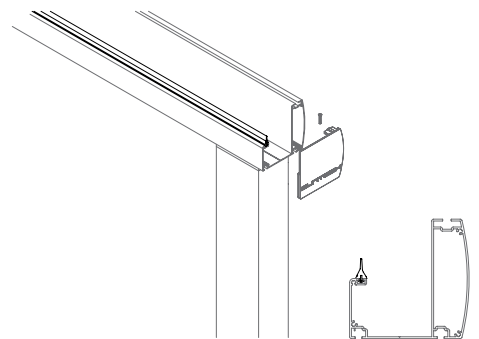
Rafter stormguard edge seal

The rafter Stormguard edge seal stops water from dripping over the side of the system by providing a soft cushioning barrier along the side of the system.



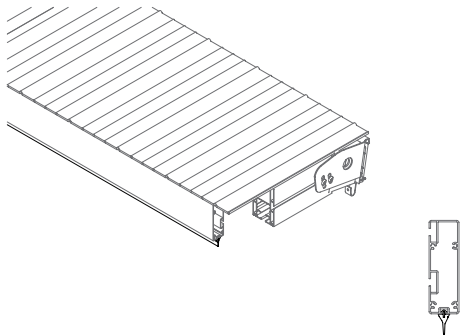
Fabric anti-drop edge cord with electrical cable

The fabric anti-drip edge cord with integrated lighting electrical cable works in conjunction with the Stormguard edge seal to prevent any water leaks over the side of the system.



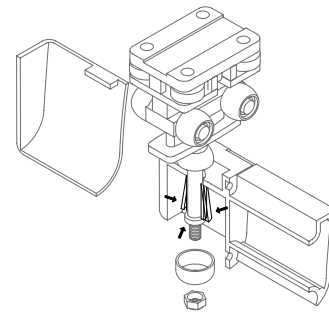
Gutter stormguard seal

The Stormguard gutter seal provides a perfect seal to prevent water leaks along the front of the system from driving rain or splashing from the gutter.



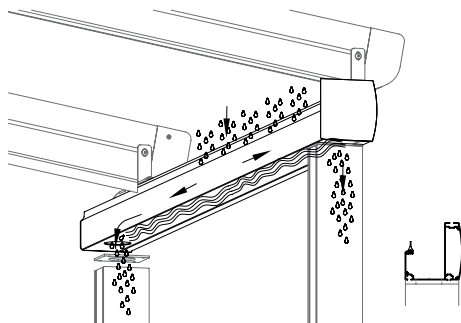
Hood stormguard seal

The Stormguard hood seal provides the perfect seal to prevent driving rain & wind coming in under the hood profiles.



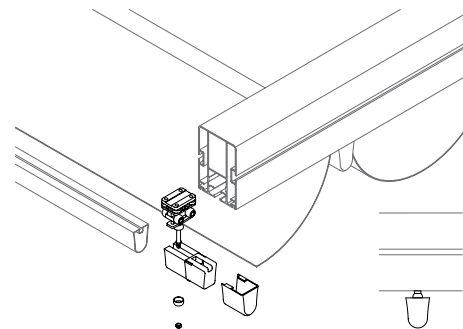
F3 slider easy clip installation

The F3 system has been designed for ease of use, to save time on installations and reduce the number of staff required. Each F3 slider can take loads of upto 600KG once in place.



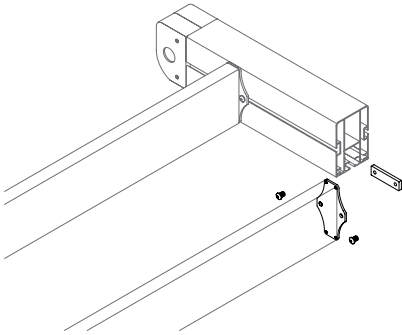
Integrated gutter & internal drainage system

The integrated gutter system provides the perfect solution for water drainage.



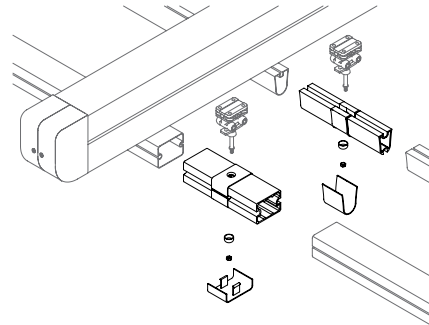
F3 slider and fabric profile assembly

The system has been designed for ease of assembly to save time on installations and reduce the number of staff required.



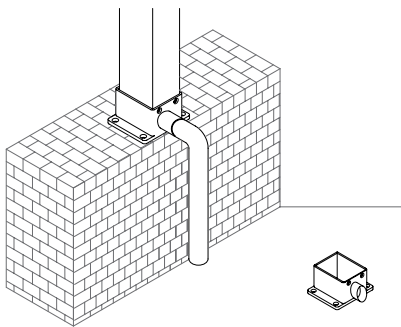
Motorbox support & hood support profile easy installation

Each support profile is easy to install and simple to adjust at the time of installation.



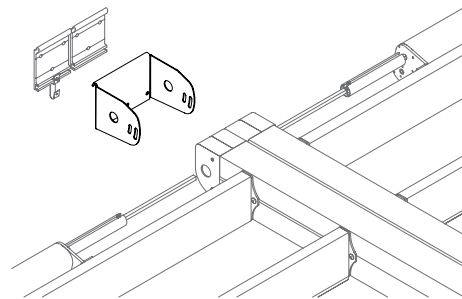
Easy clip intermediate joints (for 2 & 3 module systems)

The Easy clip intermediate joints have been designed for ease of site assembly to save time and reduce the number of staff required.



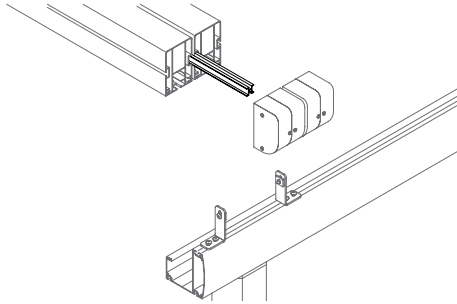
Base plate with external spout

This base plate provides a water dispersal solution.



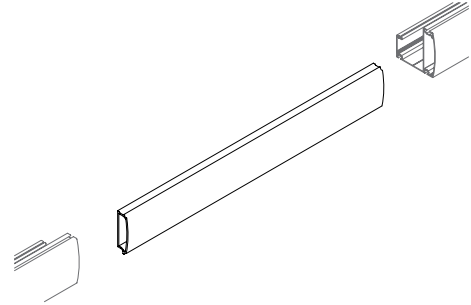
Double rafter wall bracket kit

An advanced solution for installing two rafters at once.



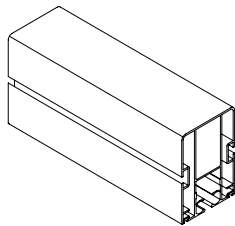
Storm channel for joining system

The storm channel is patented solution for joining two systems side by side with a waterproof join.



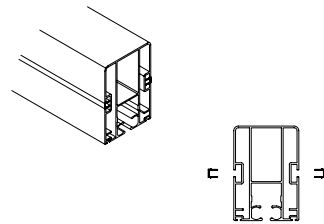
Gutter profile joining bar

A smart solution for joining the gutter profiles.



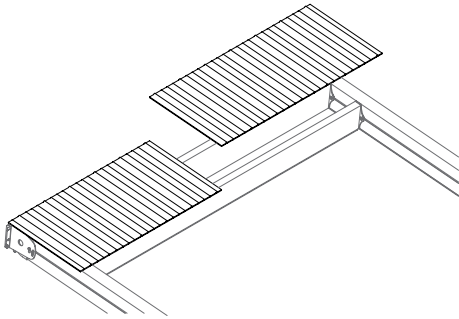
Rafter profile with side channels for easy installation

The rafter profiles are designed with functional side channels for easy installation.



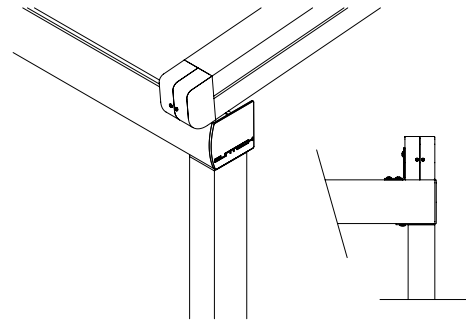
Side channel cover profile for conveyor rafters.

The cover profile is designed to complete compact view of the rafters.



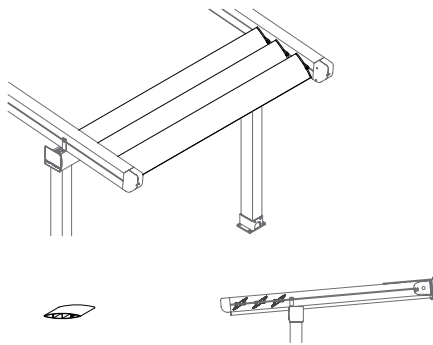
Hood profile sheets

hood profile sheets provide an attractive covering solution for the system when not in use. The low profile aesthetic design offers additional protection to the system with a chic touch.



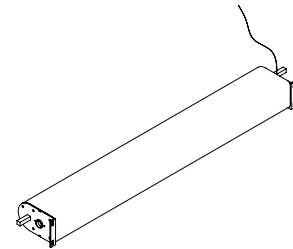
Gutter flush with rafter

Gutter solution when the system is installed next to a wall or no overhang of the gutter is required.



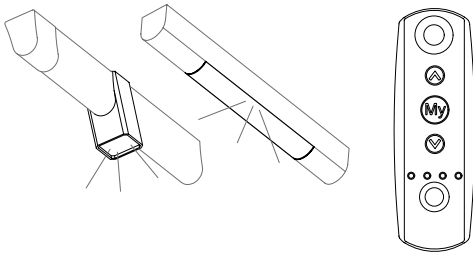
Aerofoil Louvres

The addition of Aerofoil louvres can provide added shade when the system is closed.



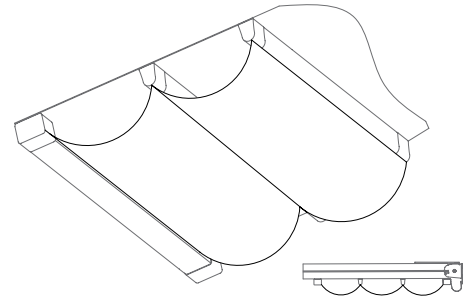
Compact 26rpm direct drive motor box

The direct drive motor system is a quick and efficient system that drives all conveyor rafters at the same time. The low profile design also allows the fabric to be stored underneath the motor which saves additional space.



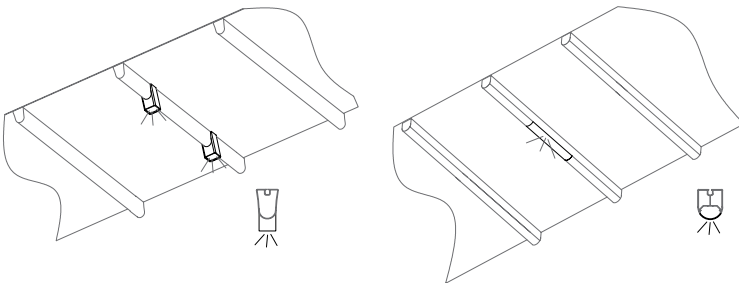
LED-TECH dimmer setup

LED-TECH dimmer lighting is an integrated lighting solution that can be added



Decorative fabric under layer

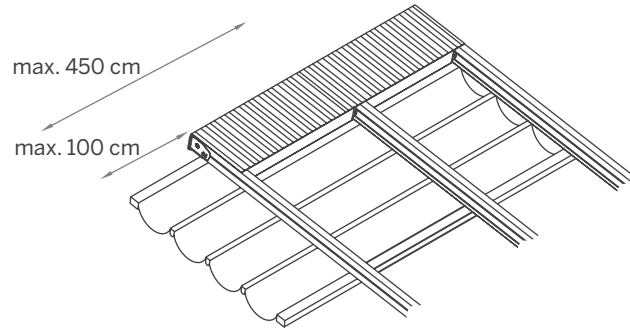
The second decorative fabric under layer of fabric can provide an elegant touch of design.



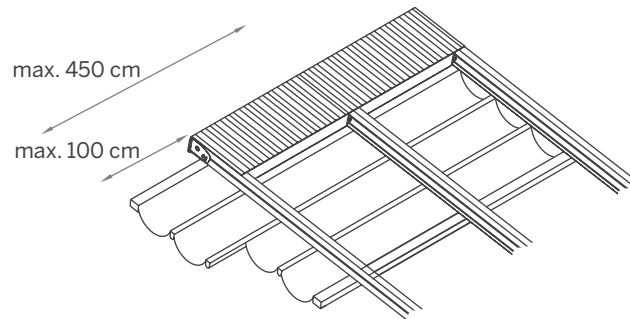
LED-TECH high powered lighting

LED-TECH lighting is an integrated lighting solution that can be added

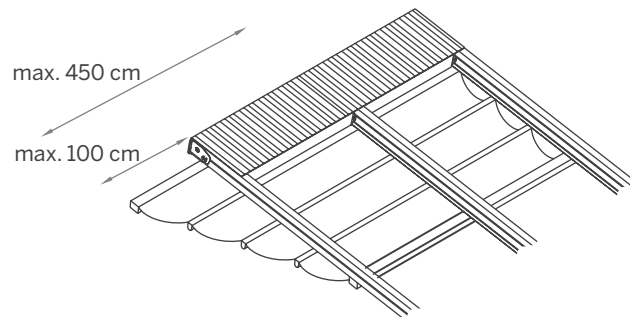
type I

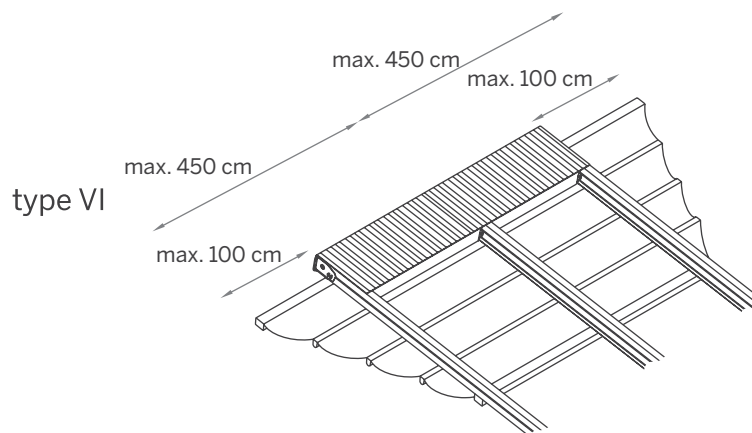
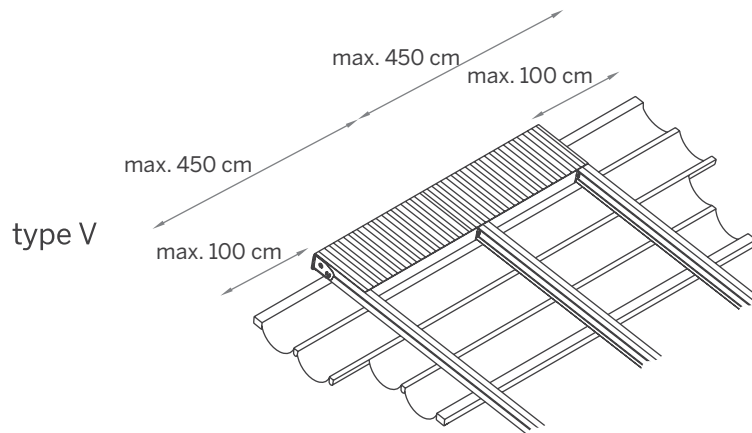
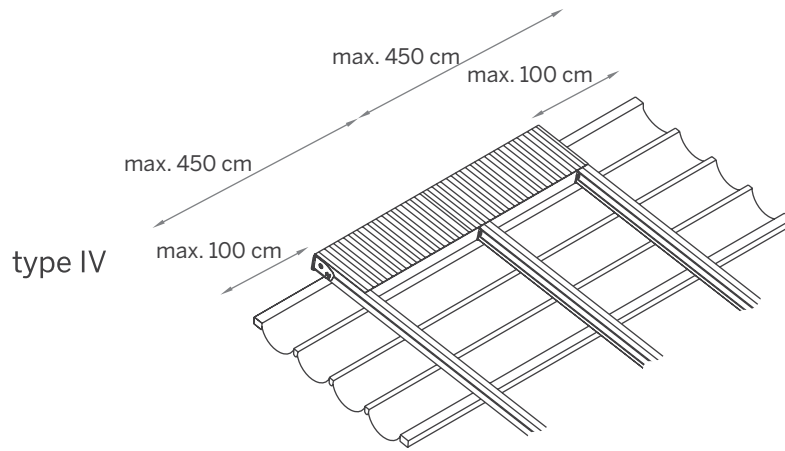


type II



type III

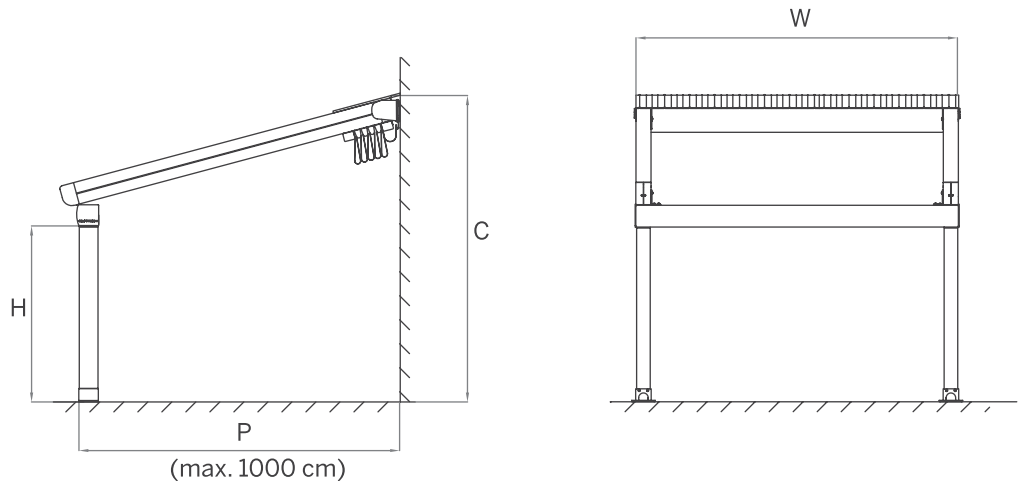




Each system is available with an optional overhang to allow the covered area to protrude past the rafter profile. Site specific overhang solutions such as stepped or wedge shapes are also an effective way to get maximum coverage for your areas.

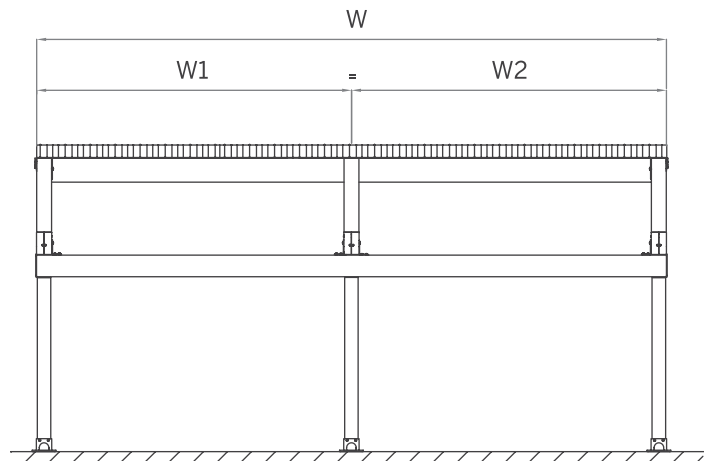
One Module

200 cm > 450 cm
One Module with one motor & 2 rafters



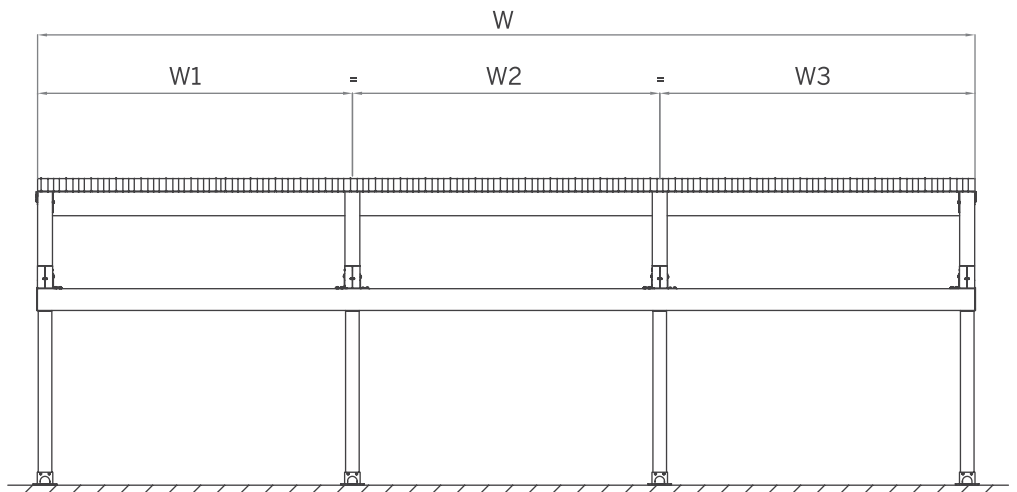
Two Modules

450 cm > 900 cm
Two Modules with one motor & 3 rafters



Three Modules

900 cm > 1300 cm
Three Modules with one motor & 4 rafters



Company Name:
Order Reference:

Order Date:
Quantity:

DIMENSIONS

W - Total Width..... cm

P - Projection..... cm

C - Wall / Back Height..... cm

H - Front / Post Height..... cm

Total Number of Posts Required.....pc

(Maximum span between posts with gutter profile is 600cm)

If modules are multiple and each module is in different width, please provide details (max. width for single module is 450cm, double modules 900cm, triple modules 1300cm)

W 1 cm

W 2 cm

W 3 cm

POWDERCOAT COLORS

RAL colors

Exclusive colors

Texture colors

RAL 9016

OGN35

ST9010

Other...

RAL 1013

OS561

ST9001

RAL 9006

OY395

ST1013

RAL 7006

OGN39

ST7039

RAL 7016

ON617

ST7016

RAL 9005

ON611

ST8019

FABRIC

Basic

Semi Transparent

WT785 / White

STRW22 / White

Other...

CR295 / Cream

STRB33 / Black

Xclusive

Matt

WTEX / White

MW23 / White

CRMX / Cream

MC26 / Cappuccino

GRYX / Grey

OPTIONALS

STANDARD High Power Led Lighting

HDD LUX High Power Led Lighting

Dimmer Kit

Aerofoil Louvre (Line)pc

Side Rafter.....cm
Quantity pc

Support Post of Side Rafter..... cm
Quantitypc

Gutter Flush with Rafter (Type B-Flush Finish)

Additional Rail pc

Cover Profile

Supporting Steel Structure With Post

Supporting Steel Structure With Post (Galvanized)

Wall Installation Steel Beam

Wall Installation Steel Beam (Galvanized)

Additional Post Of Supporting Steel Structure pc

Additional Post Of Supp. Steel Str. (Galvanized) pc

Side Overhang (max. 100cm per side) Type..... (I / II / III / IV / V / VI)
Left Overhang:.....cm Right Overhang:.....cm

Storm Channel for Joining System & Double Rafter Wall
Bracket Kit (for Multiple Systems)

INSTALLATION BRACKET

Wall Bracket

Ceiling Bracket

POST INSTALLATION BASE

Type A (Arch Opening)

Type AA (Without Extension)

Type B (Spout)

Type BB (Without Extension)

Type Hidden

ADDITIONAL NOTES & DRAWINGS ATTACHED