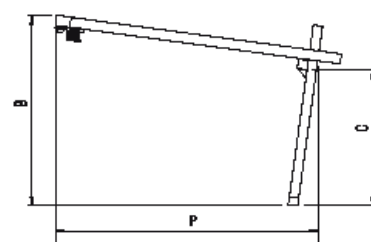
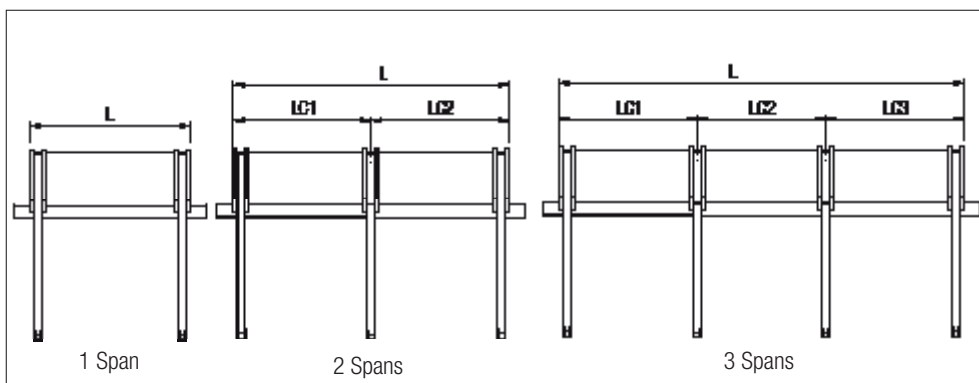


Order form Ravenna

Company	Place	Date
Order ref:	Telephone	Fax



Dimension of the structure in cm.	
Total width	L
Projection	P
Back height	B
Front height	C
Possible front wall height	M

Size LC1	
Size LC2	
Size LC3	

If the sizes LC are not indicated, the structure will be realized with equidistant guides.

Cover roof	
Cover roof complete with profiles	

Optional	quantity
Profili copriarcarecci (Purlin covers)	

Span Number	
1 Span	
2 Span	
3 Span	

Colour of the structure	
Iron grey (standard)	
Other (with price surcharge)	

Guides colour	
RAL 9010 (White)	
RAL 1013 (Ivory)	
RAL 8017 (Brown)	

Kind of fabric	
PVC 602 White	
PVC 602 Ivory	
PVC 302	
Soltis (*)	
Other (*)	

Installation	
Wall	
Ceiling (*)	

Attention*:
The P size do not include the size of the ceiling brackets (P+10 cm).

Colour of cover profiles	
RAL9010 (White)	
RAL1013 (Ivory)	
Other (*)	

Easy Fast	
160x50	

Cover finishing	
Taut whit drop catch system	
Taut whitout drop catch system	
With waves-water discharge right side (*)	
With waves-water discharge left side (*)	
With waves-water discharge right-left side (*)	
With parallel waves no discharge of water(*)	

Motorisation or manual operation		
Gear with cover		
Crank Handle	cm.	
Motor Box Base (with motor cover)		
Motor Safety Box		
Motor fixing	Wall	On profile
Motor fixing on span		LC _____
Remote control Telis 1 Atrio		
Remote control Telis 4 Atrio		
Additional profile		

The motor not installed on the wall must be fixed on an additional profile.

Note

N.B.

- Unless differently indicated, DSHW S will be realized with the frontal posts perpendicular to the purlins.
- Discharge of water (unless differently indicated): 1 or 2 span on the right post; 3 spans both on right and left sides.

(*) With price surcharge