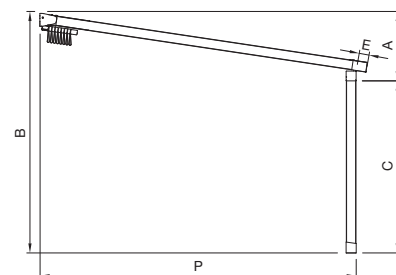
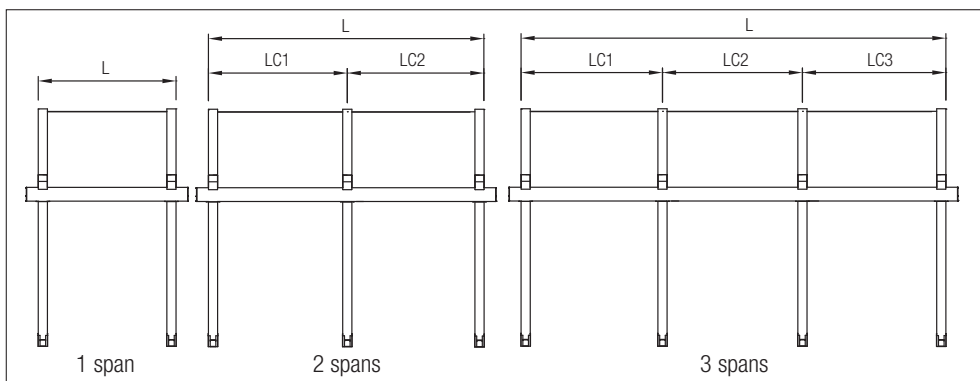


Order form Salerno

Company	Place	Date
Order ref:	Telephone	Fax



Dimension of the structure in cm.	
Total width	L
Projection	P
Back height	B
Front height	C
Possible front wall height	M

Size LC1	
Size LC2	
Size LC3	

If the sizes LC are not indicated, the structure will be realized with equidistant guides.

Cover roof	
Cover roof complete with profiles	

Span Number	
1 Span	
2 Span	
3 Span	

Colour of the structure	
Iron grey (standard)	
RAL 9010 White (standard)	
RAL1013 Ivory (standard)	
Other (with price surcharge)	

Colour of cover profiles	
RAL9010 (White)	
RAL1013 (Ivory)	
Other (*)	

Kind of fabric	
PVC 602 White	
PVC 602 Ivory	
PVC 302	
Soltis (*)	
Other (*)	

Installation	
Wall	
Ceiling (*)	

Attention*:
The P size do not include the size of the ceiling brackets (P+10 cm).

Easy Fast	
100x50	

Cover finishing	
Taut whit drop catch system	
Taut whitout drop catch system	
With waves-water discharge right side (*)	
With waves-water discharge left side (*)	
With waves-water discharge right-left side (*)	
With parallel waves no discharge of water(*)	

Motorisation or manual operation		
Gear with cover		
Crank Handle	cm.	
Motor Box Base (with motor cover)		
Motor Safety Box		
Motor fixing	Wall	On profile
Motor fixing on span		LC_____
Remote control Telis 1 Atrio		
Remote control Telis 4 Atrio		
Additional profile		

The motor not installed on the wall must be fixed on an additional profile.

Note

N.B.
- Discharge of water (unless differently indicated): 1 or 2 span on the right post; 3 spans both on right and left sides.

(*) With price surcharge