

ANTALYA

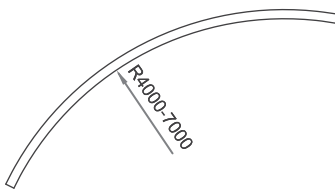
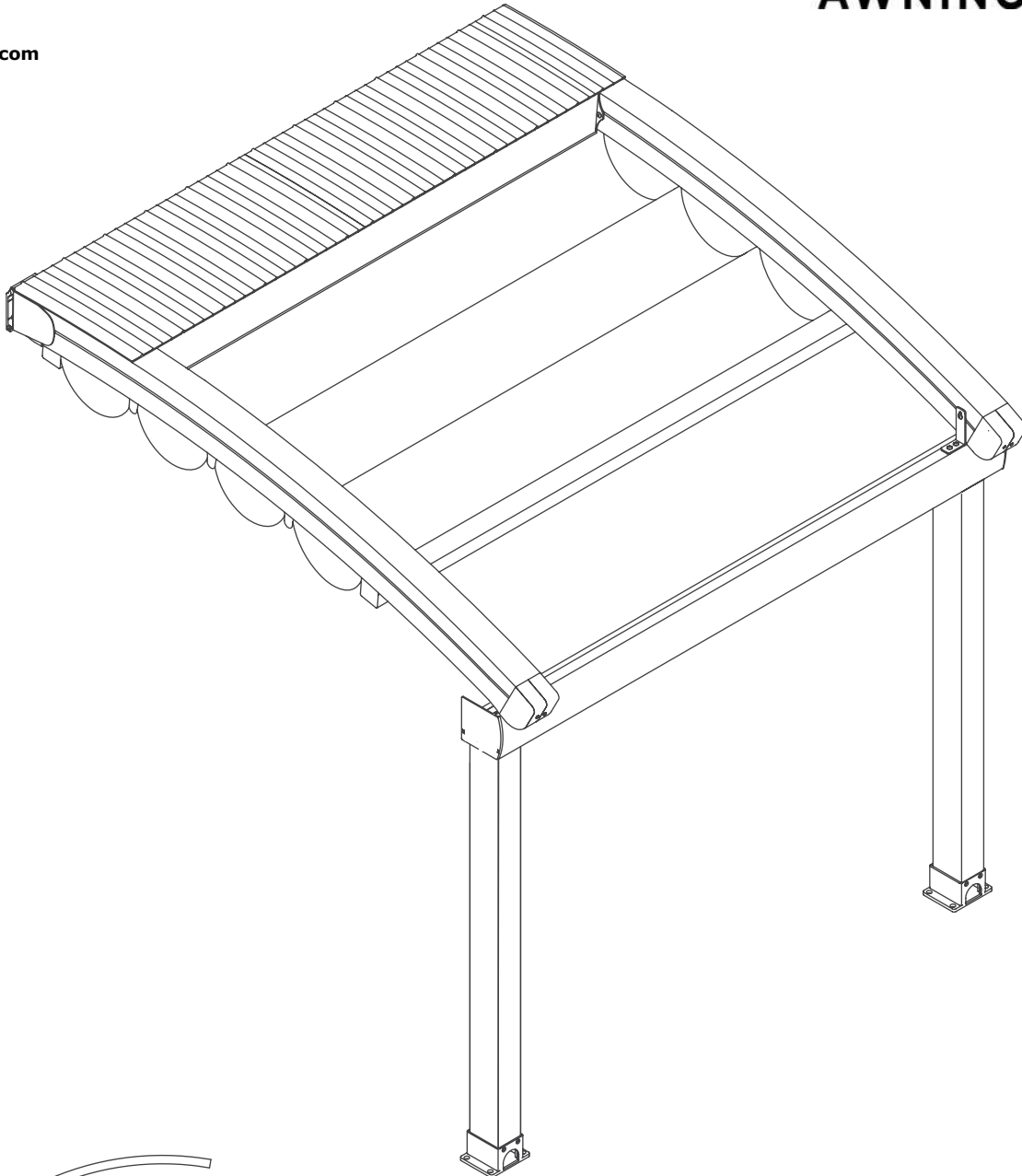


All weather protection systems!

SPECIFICATIONS, TECHNICAL INFO. OPTIONS & METRIC DIMENSIONS

RETRACTABLE
AWNINGS.COM

RetractableAwnings.com
Tel (305) 628-2424
Tel (866) 438-2964



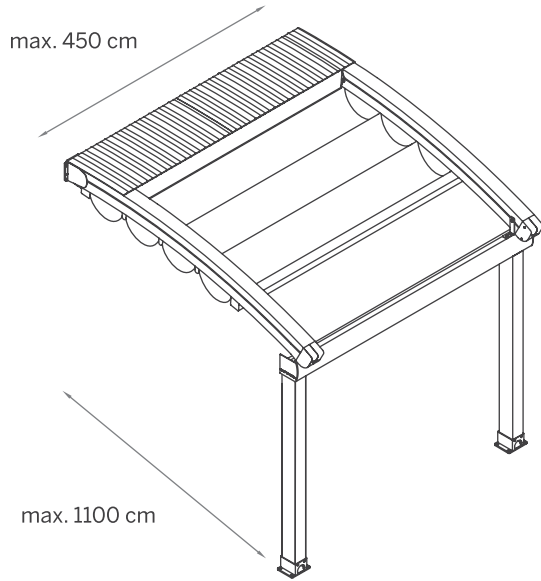
All information contained in this document was provided by the manufacturer of the components for this particular model. As a fabricator/distributor, Retractableawnings.com Inc. claims no liability with respect to these documents as we are not engineers and did not complete any of the information, engineering or calculations in this document.

All measurements in this document are metric. To convert from metric (meters, centimeters and millimeters) to imperial (feet and inches) visit this website:
http://www.onlineconversion.com/length_common.htm



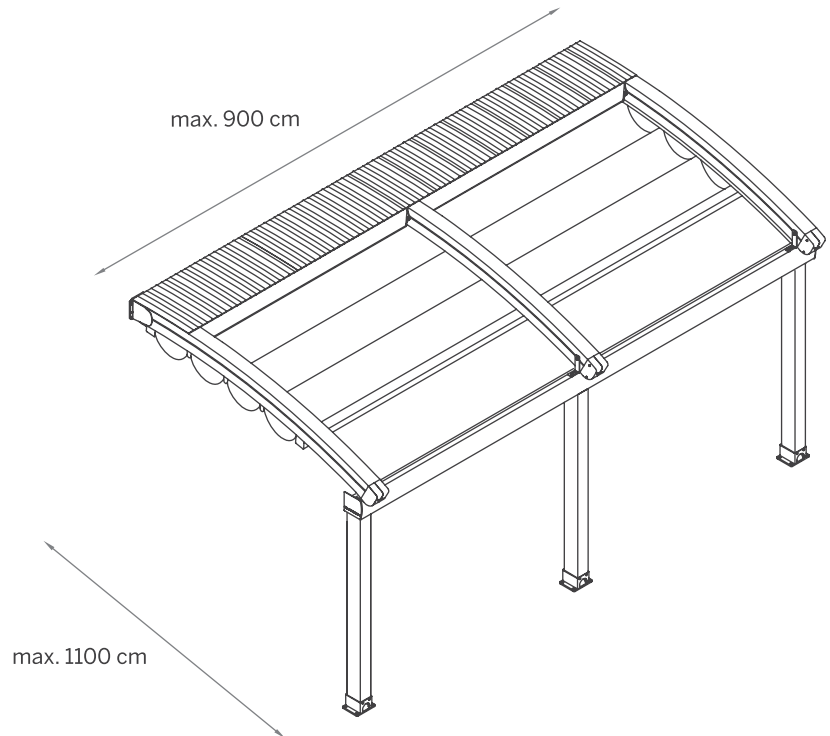
One Module

200 cm > 450 cm
One Module with one motor & 2 rafters



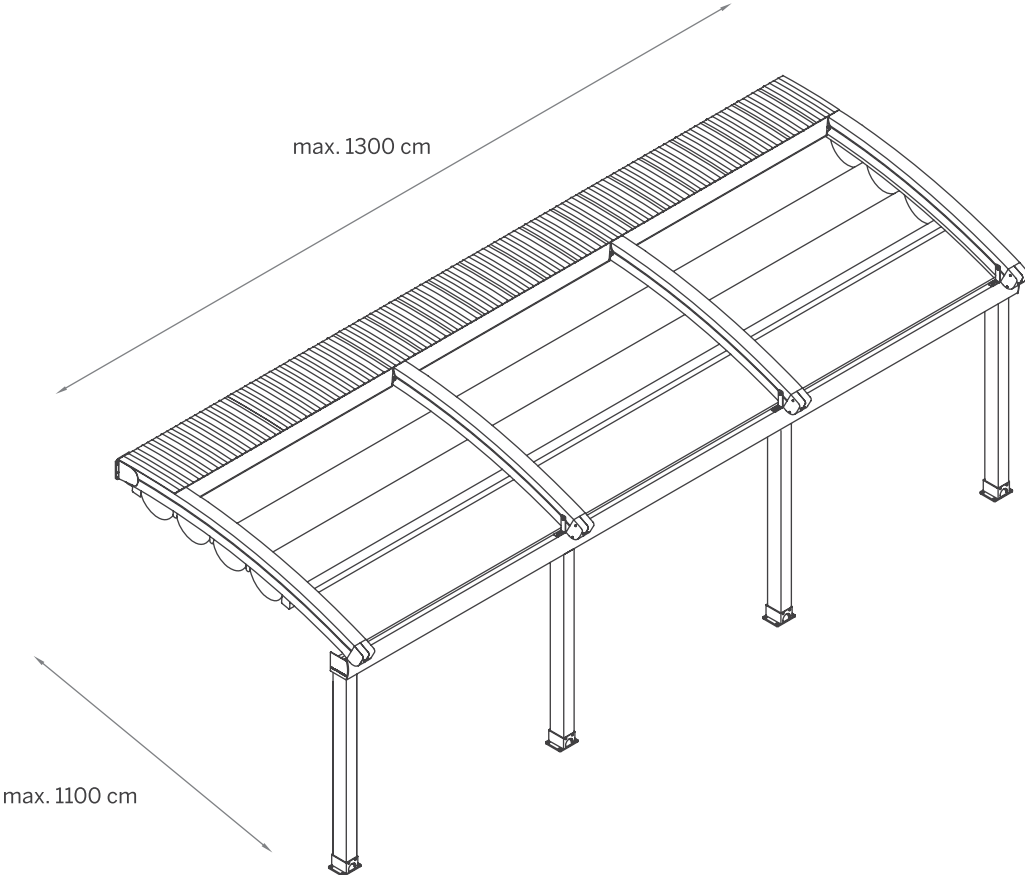
Two Modules

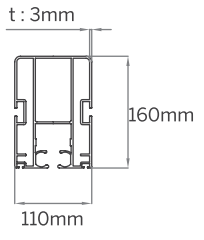
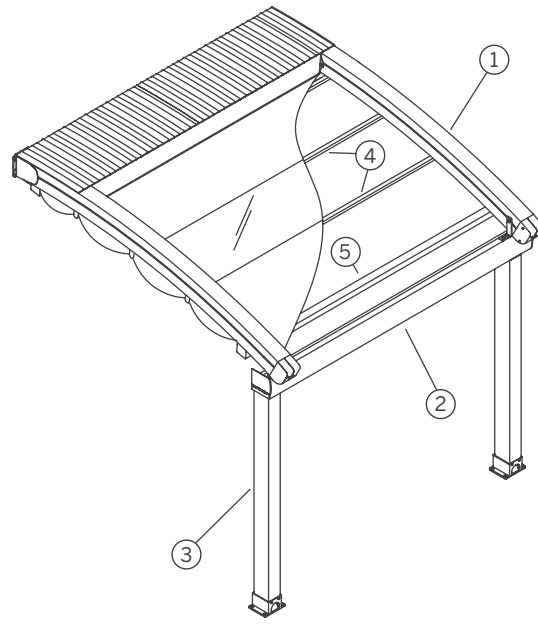
450 cm > 900 cm
Two Modules with one motor & 3 rafters



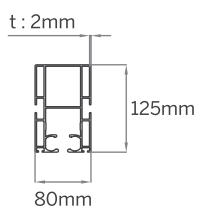
Three Modules

900 cm > 1300 cm
Three Modules with two motors & 4 rafters

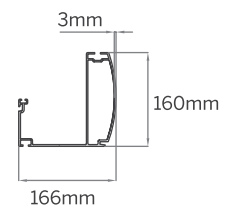




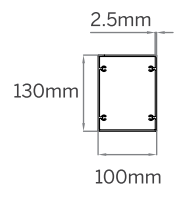
XL
① Rafter



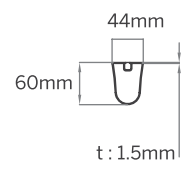
LT



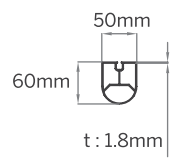
② Gutter



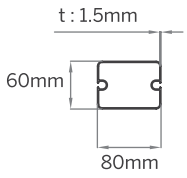
③ Post



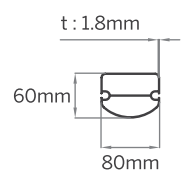
④ Fabric Support (Standart)



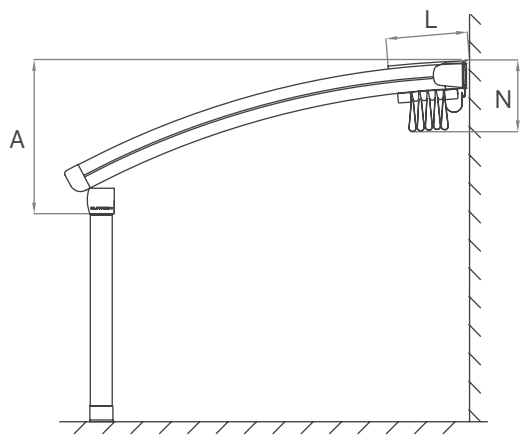
④ Fabric Support (HDD Lux)



⑤ Puller Profile (Standart)



⑤ Puller Profile (HDD Lux)



LT

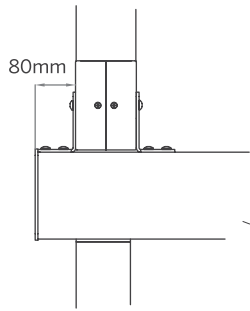
	Fabric Height	Hood	Fall	Fab.Sup.Profiles
	(N*) mm	(L*) mm	(A*) mm	pc*
300	387	727	837	8
350	389	772	988	9
400	393	830	1032	10
450	396	876	1214	11
500	396	948	1333	12
550	404	1034	1434	14
600	409	1110	1510	15
650	410	1153	1555	16
700	415	1190	1749	17

*Values can vary by different radius values.

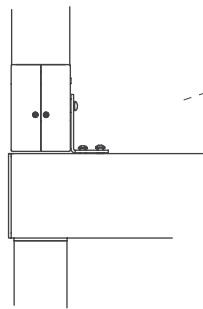
XL

	Fabric Height	Hood	Fall	Fab.Sup.Profiles
	(N*) mm	(L*) mm	(A*) mm	pc*
300	412	707	866	8
350	415	745	1018	9
400	418	801	1112	10
450	421	857	1243	11
500	421	908	1363	12
550	430	1027	1462	14
600	434	1083	1538	15
650	436	1133	1583	16
700	440	1190	1778	17
750	440	1241	1563	18
800	444	1297	1723	19
850	446	1342	1894	20
900	450	1409	2075	21
950	454	1459	1925	22
1000	457	1572	2087	24
1050	461	1626	2256	25
1100	465	1682	2436	26

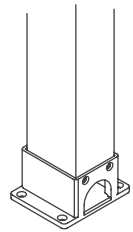
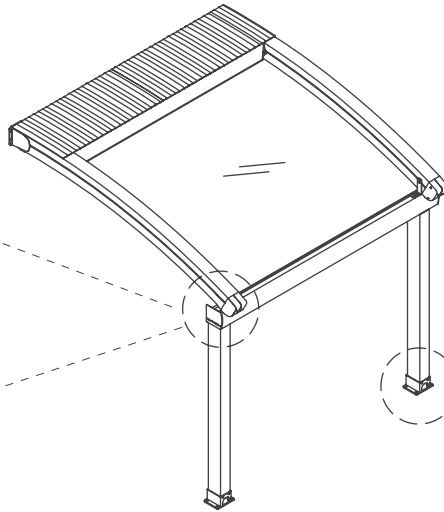
*Values can vary by different radius values.



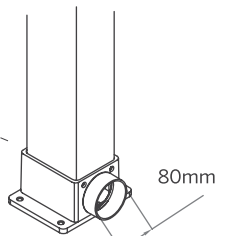
Type - A



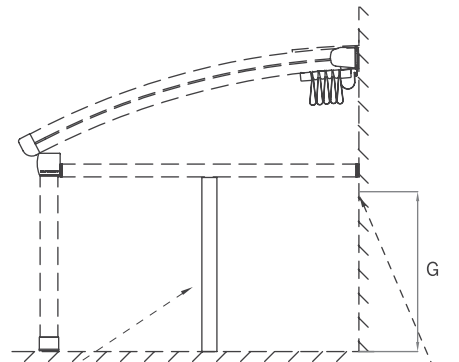
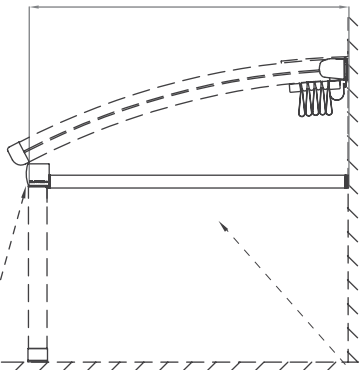
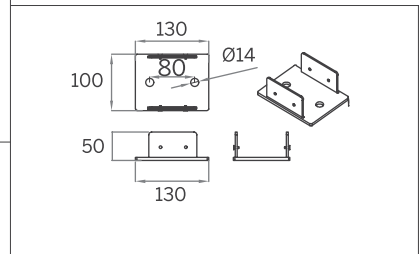
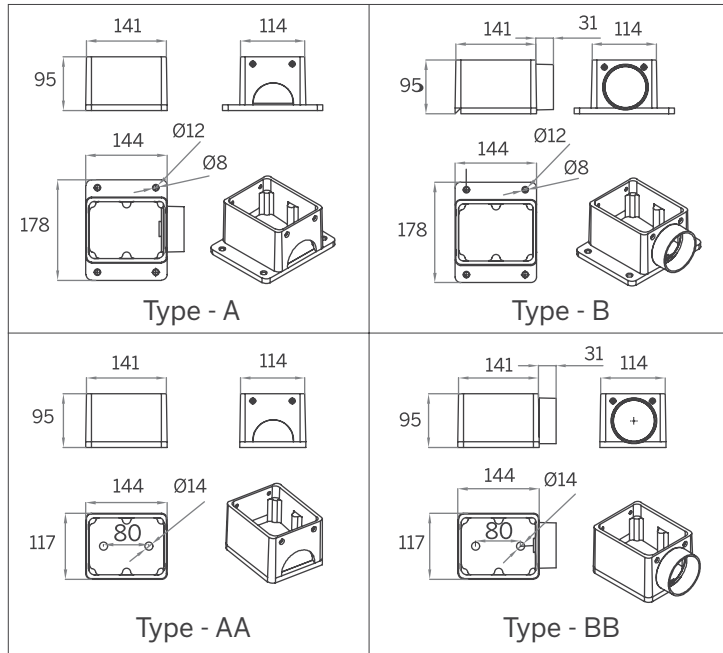
Type - B



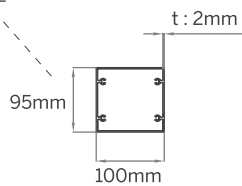
Type - A



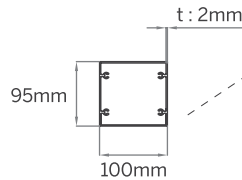
Type - B



Gutter Connection



Side Rafter

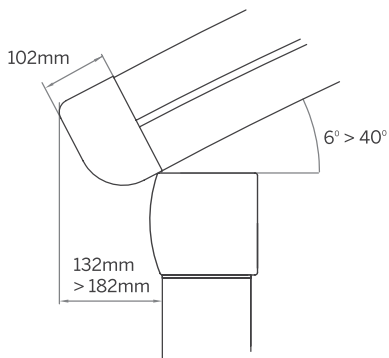
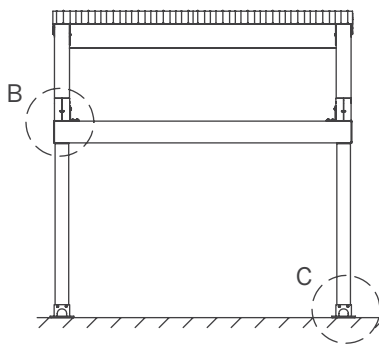
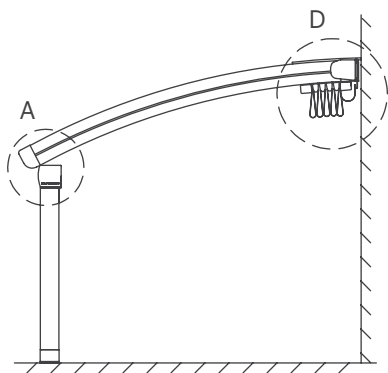


Support Column of Side Rafter

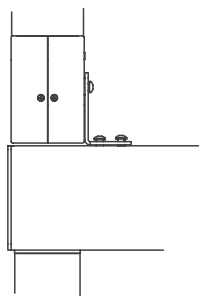


Wall Connection

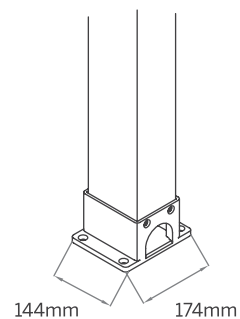
Support Column of Side Rafter is installed when length of side rafter is over 800 cm



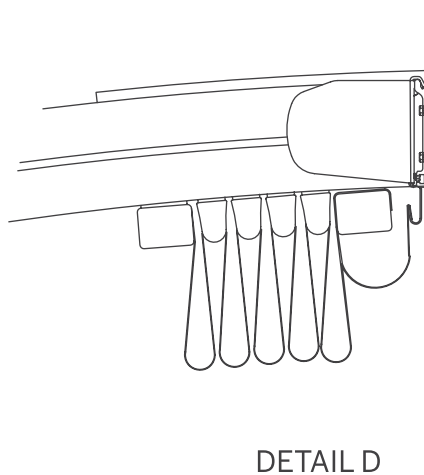
DETAIL A



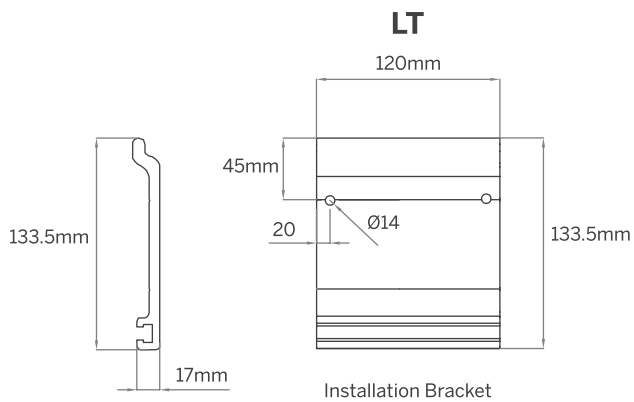
DETAIL B



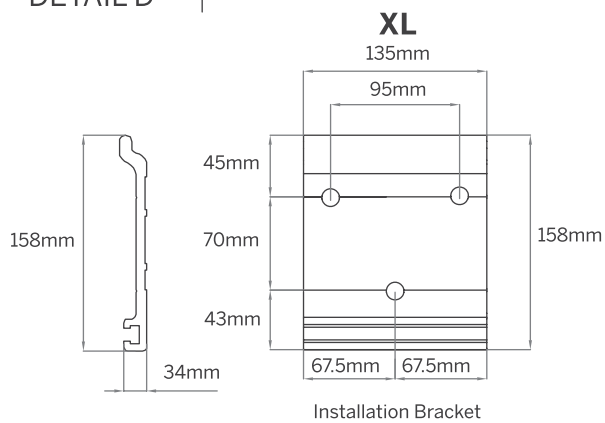
DETAIL C



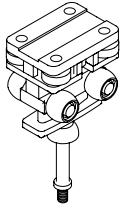
DETAIL D



Installation Bracket

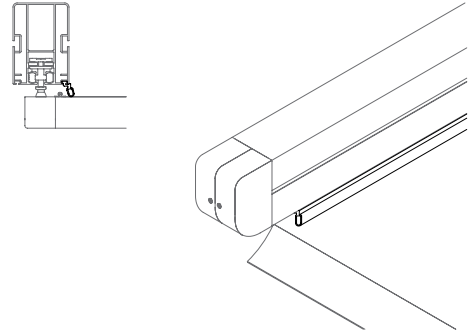


Installation Bracket



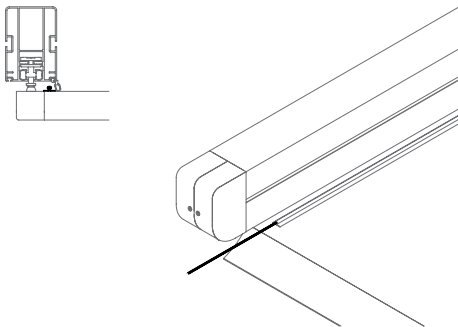
F3 Eight wheel slider

Four horizontal & four vertical rollers working together for perfectly smooth operation every time. The F3 eight wheel system is proven to remove the jamming issue that occurs with the 4 wheel system and can take loads of upto 600KG.



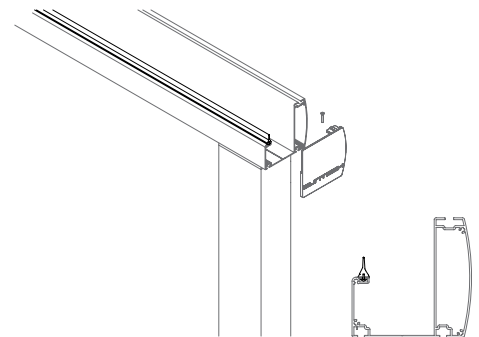
Rafter stormguard edge seal

The rafter Stormguard edge seal stops water from dripping over the side of the system by providing a soft cushioning barrier along the side of the system.



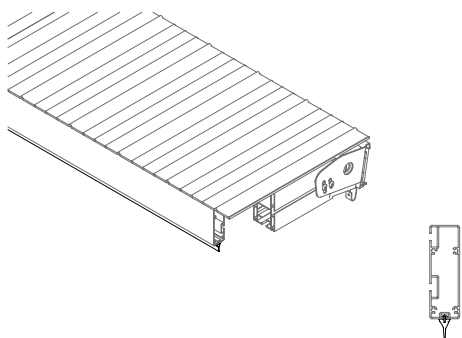
Fabric anti-drop edge cord with electrical cable

The fabric anti-drip edge cord with integrated lighting electrical cable works in conjunction with the Stormguard edge seal to prevent any water leaks over the side of the system.



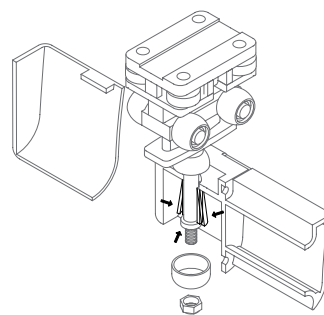
Gutter stormguard seal

The Stormguard gutter seal provides a perfect seal to prevent water leaks along the front of the system from driving rain or splashing from the gutter.



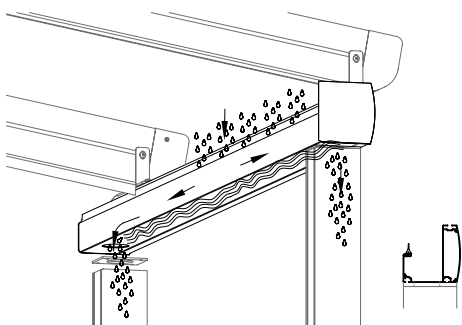
Hood stormguard seal

The Stormguard hood seal provides the perfect seal to prevent driving rain & wind coming in under the hood profiles.



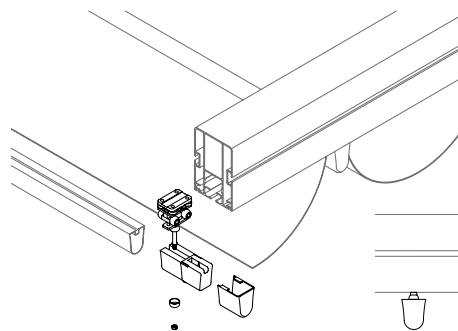
F3 slider easy clip installation

The F3 system has been designed for ease of use, to save time on installations and reduce the number of staff required. Each F3 slider can take loads of up to 600KG once in place.



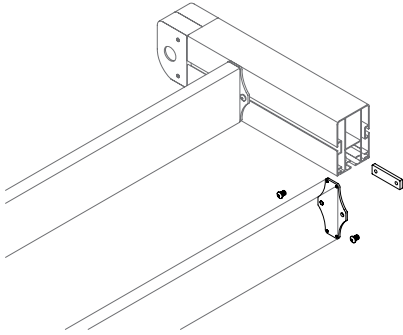
Integrated gutter & internal drainage system

The integrated gutter system provides the perfect solution for water drainage.



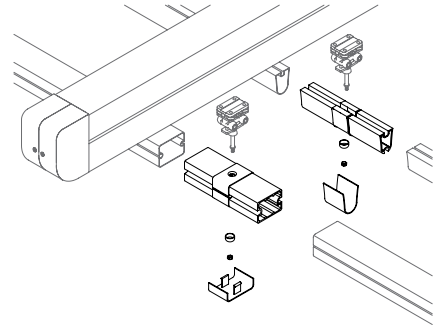
F3 slider and fabric profile assembly

The system has been designed for ease of assembly to save time on installations and reduce the number of staff required.



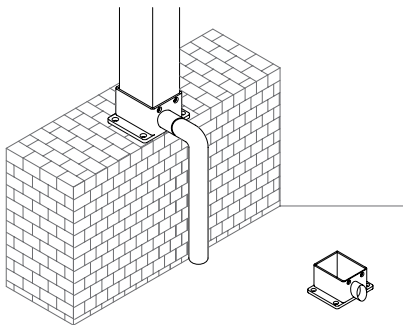
Motorbox support & hood support profile easy installation

Each support profile is easy to install and simple to adjust at the time of installation.



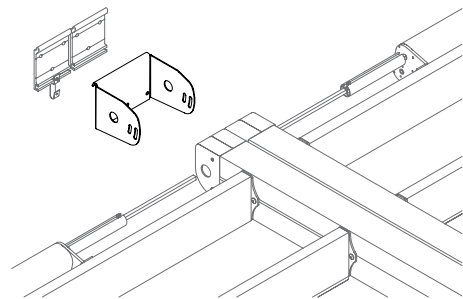
Easy clip intermediate joints (for 2 & 3 module systems)

The Easy clip intermediate joints have been designed for ease of site assembly to save time and reduce the number of staff required.



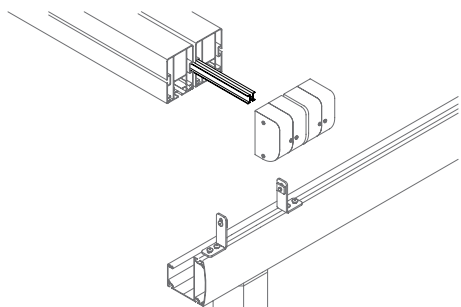
Base plate with external spout

This base plate provides a water dispersal solution.



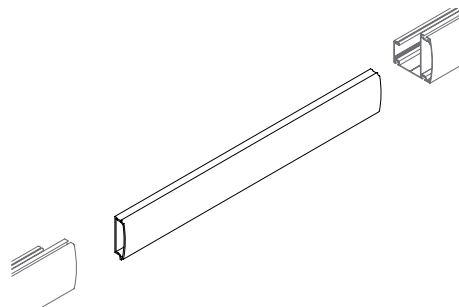
Double rafter wall bracket kit

An advanced solution for installing two rafters at once.



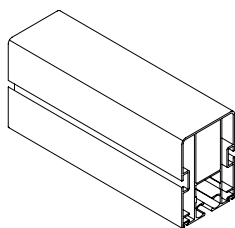
Storm channel for joining system

The storm channel is patented solution for joining two systems side by side with a waterproof join.



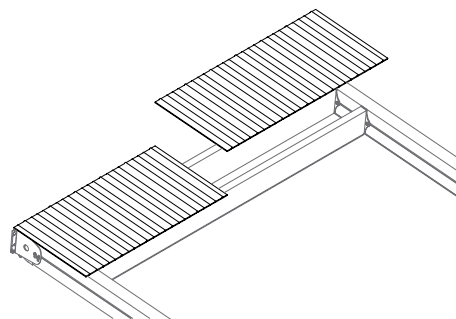
Gutter profile joining bar

A smart solution for joining the gutter profiles.



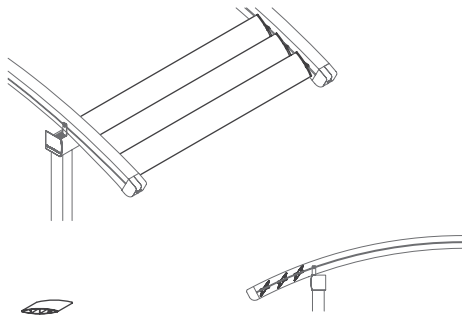
Rafter profile with side channels for easy installation

The rafter profiles are designed with functional side channels for easy installation.



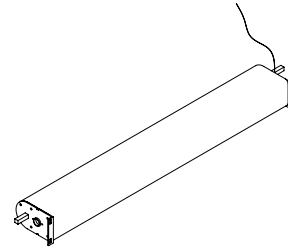
Hood profile sheets

Hood profile sheets provide an attractive covering solution for the system when not in use. The low profile aesthetic design offers additional protection to the system with a chic touch.



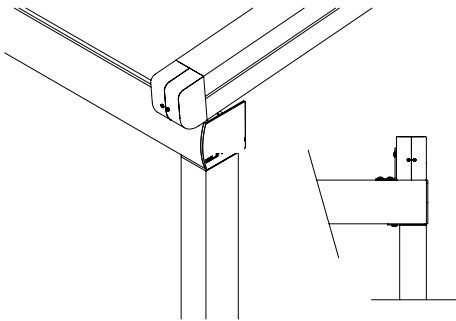
Aerofoil Louvres

The addition of Aerofoil louvres can provide added shade when the system is closed.



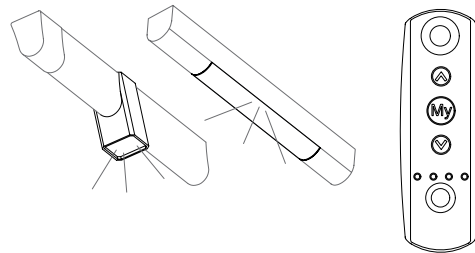
Compact 26rpm direct drive motor box

The direct drive motor system is a quick and efficient system that drives all conveyor rafters at the same time. The low profile design also allows the fabric to be stored underneath the motor which saves additional space.



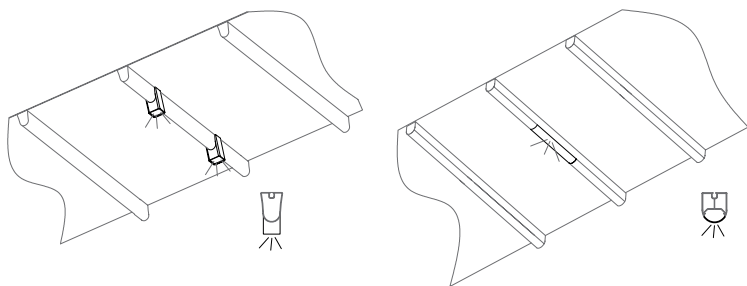
Gutter flush with rafter

Gutter solution when the system is installed next to a wall or no overhang of the gutter is required.



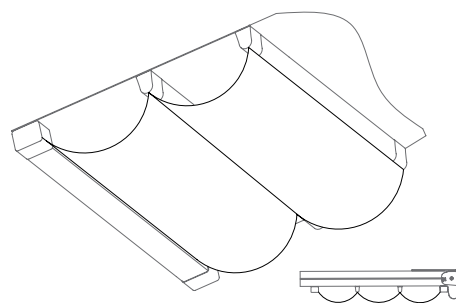
LED-TECH dimmer setup

LED-TECH dimmer lighting is an integrated lighting solution that can be added



LED-TECH high powered lighting

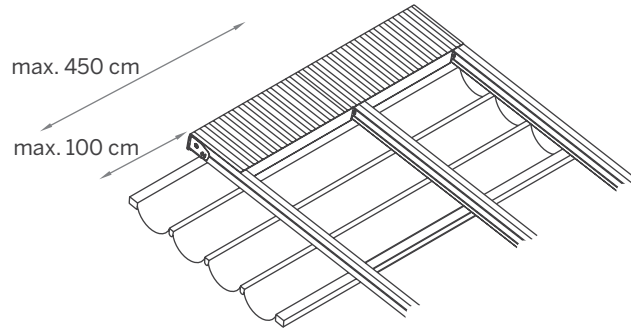
LED-TECH lighting is an integrated lighting solution that can be added.



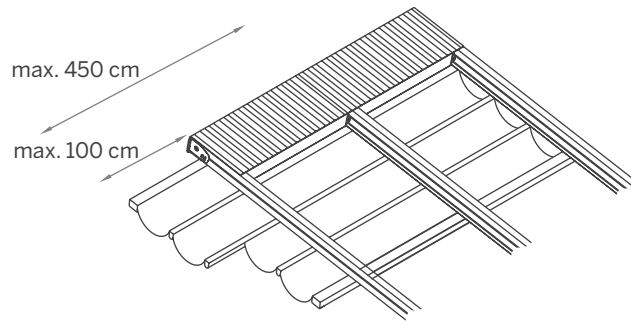
Decorative fabric under layer

The second decorative fabric under layer of fabric can provide an elegant touch of design.

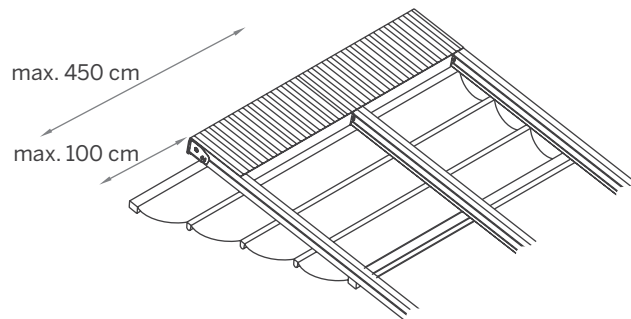
type I

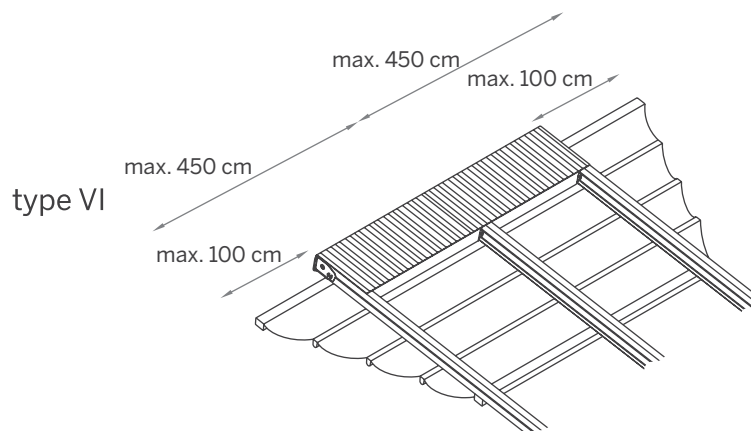
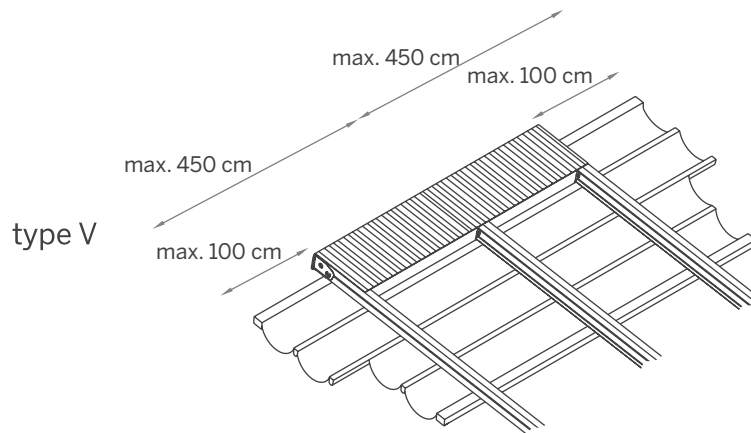
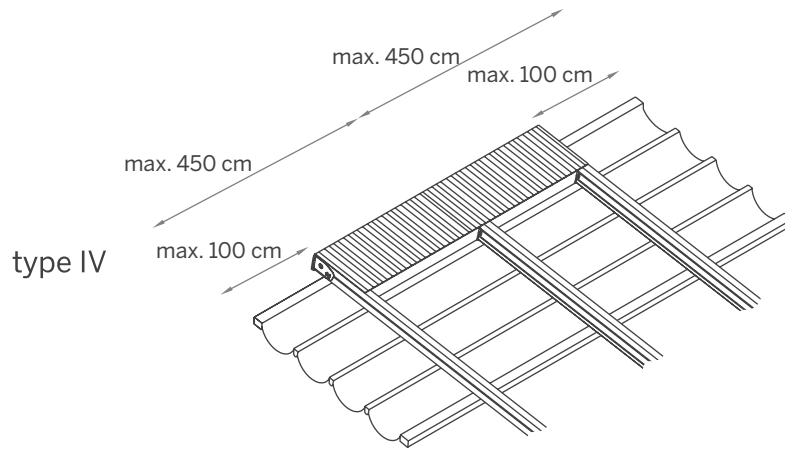


type II



type III

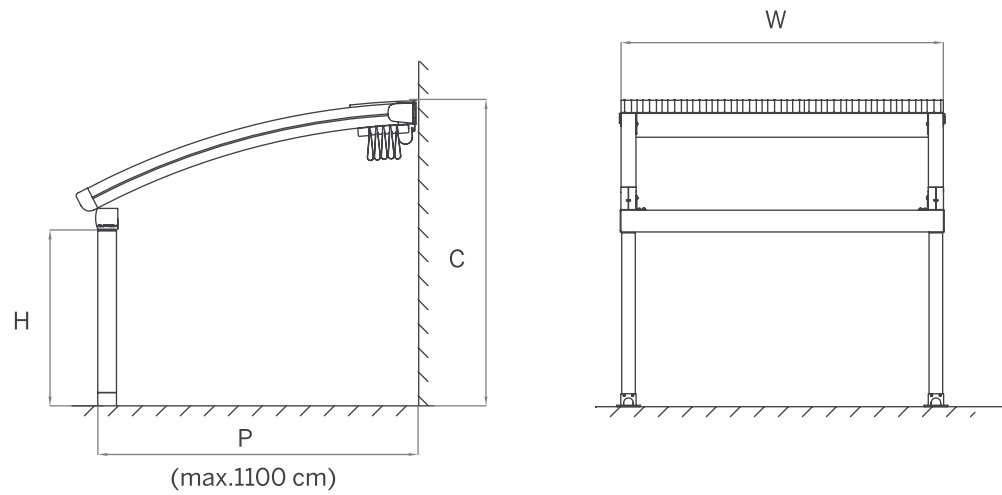




Each system is available with an optional overhang to allow the covered area to protrude past the rafter profile. Site specific overhang solutions such as stepped or wedge shapes are also an effective way to get maximum coverage for your areas.

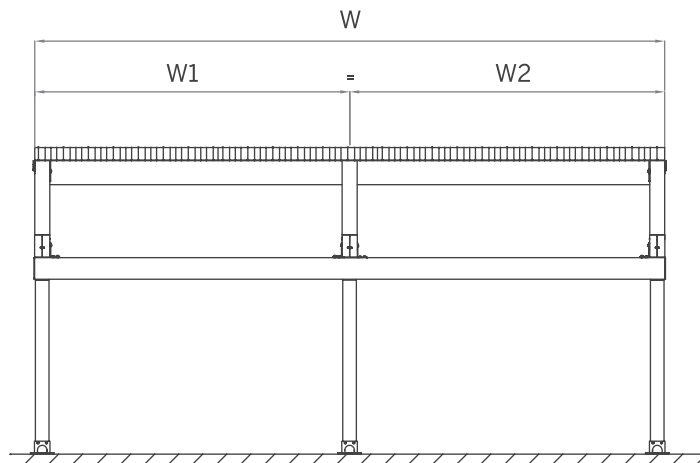
One Module

200 cm > 450 cm
One Module with one motor & 2 rafters



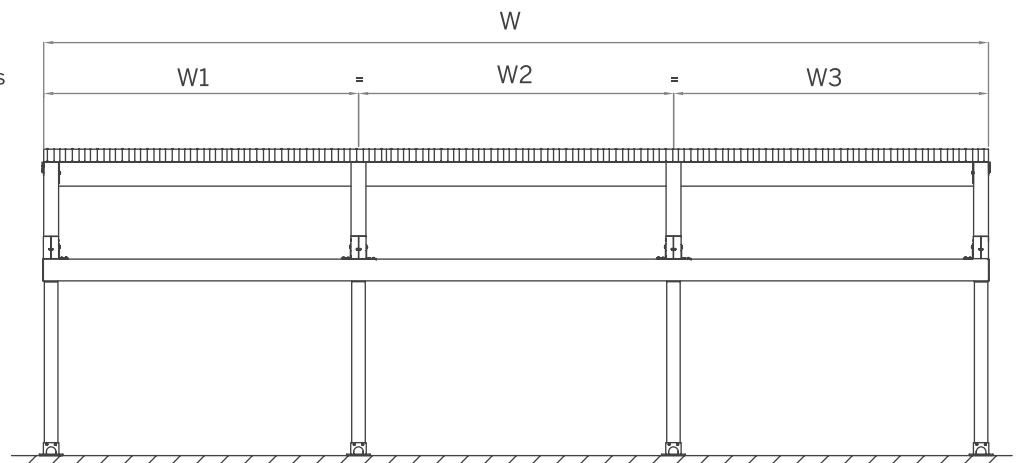
Two Modules

450 cm > 900 cm
Two Modules with one motor & 3 rafters



Three Modules

900 cm > 1300 cm
Three Modules with two motors & 4 rafters



Company Name:
Order Reference:

Order Date:
Quantity:

SERIAL XL LT

DIMENSIONS

W - Total Width..... cm

P - Projection..... cm

C - Wall / Back Height..... cm

H - Front / Post Height..... cm

Total Number of Posts Required.....pc
(Maximum span between posts with gutter profile is 600cm)

If modules are multiple and each module is in different width, please provide details (max. width for single module is 450cm, double modules 900cm, triple modules 1300cm)

W 1.....cm

W 2.....cm

W 3.....cm

POWDERCOAT COLORS

RAL colors	Exclusive colors	Texture colors	
<input type="checkbox"/> RAL 9016	<input type="checkbox"/> OGN35	<input type="checkbox"/> ST9010	<input type="checkbox"/> Other...
<input type="checkbox"/> RAL 1013	<input type="checkbox"/> OS561	<input type="checkbox"/> ST9001	
<input type="checkbox"/> RAL 9006	<input type="checkbox"/> OY395	<input type="checkbox"/> ST1013	
<input type="checkbox"/> RAL 7006	<input type="checkbox"/> OGN39	<input type="checkbox"/> ST7039	
<input type="checkbox"/> RAL 7016	<input type="checkbox"/> ON617	<input type="checkbox"/> ST7016	
<input type="checkbox"/> RAL 9005	<input type="checkbox"/> ON611	<input type="checkbox"/> ST8019	

FABRIC

Basic	Semi Transparent	
<input type="checkbox"/> WT785 / White	<input type="checkbox"/> STRW22 / White	<input type="checkbox"/> Other...
<input type="checkbox"/> CR295 / Cream	<input type="checkbox"/> STRB33 / Black	
Xclusive	Matt	
<input type="checkbox"/> WTEX / White	<input type="checkbox"/> MW23 / White	
<input type="checkbox"/> CRMX / Cream	<input type="checkbox"/> MC26 / Cappuccino	
<input type="checkbox"/> GRYX / Grey		

OPTIONALS

- | | |
|--|---|
| <input type="checkbox"/> STANDARD High Power Led Lighting | <input type="checkbox"/> Supporting Steel Structure With Post |
| <input type="checkbox"/> HDD LUX High Power Led Lighting | <input type="checkbox"/> Supporting Steel Structure With Post (Galvanized) |
| <input type="checkbox"/> Dimmer Kit | <input type="checkbox"/> Wall Installation Steel Beam |
| <input type="checkbox"/> Aerofoil Louvre (Line)pc | <input type="checkbox"/> Wall Installation Steel Beam (Galvanized) |
| <input type="checkbox"/> Side Rafter.....cm
Quantity pc | <input type="checkbox"/> Additional Post Of Supporting Steel Structure pc |
| <input type="checkbox"/> Support Post of Side Rafter..... cm
Quantitypc | <input type="checkbox"/> Additional Post Of Supp. Steel Str. (Galvanized) pc |
| <input type="checkbox"/> Gutter Flush with Rafter (Type B-Flush Finish) | <input type="checkbox"/> Side Overhang (max. 100cm per side) Type..... (I / II / III / IV / V / VI)
Left Overhang:.....cm Right Overhang:.....cm |
| <input type="checkbox"/> Additional Rail pc | <input type="checkbox"/> Storm Channel for Joining System & Double Rafter Wall
Bracket Kit (for Multiple Systems) |

INSTALLATION BRACKET

Wall Bracket Ceiling Bracket

POST INSTALLATION BASE

Type A (Arch Opening) Type AA (Without Extension)
 Type B (Spout) Type BB (Without Extension)
 Type Hidden

ADDITIONAL NOTES & DRAWINGS ATTACHED