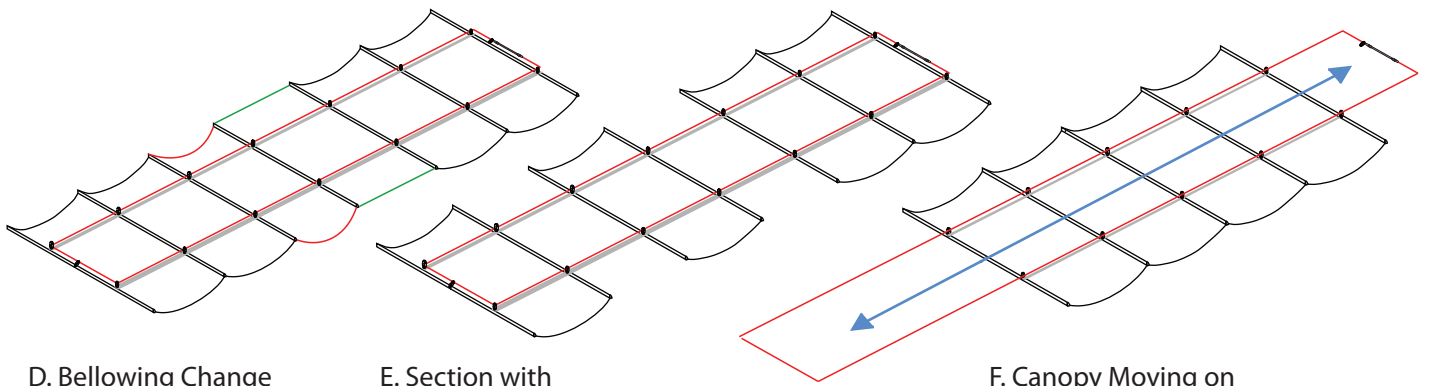


A. Typical Section

B. Two Sections open towards the Middle

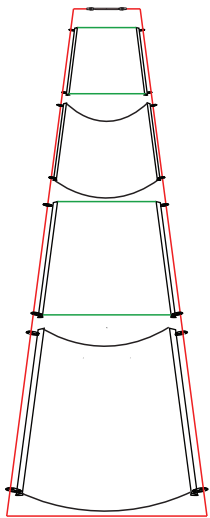
C. Typical Section with Vertical Panels



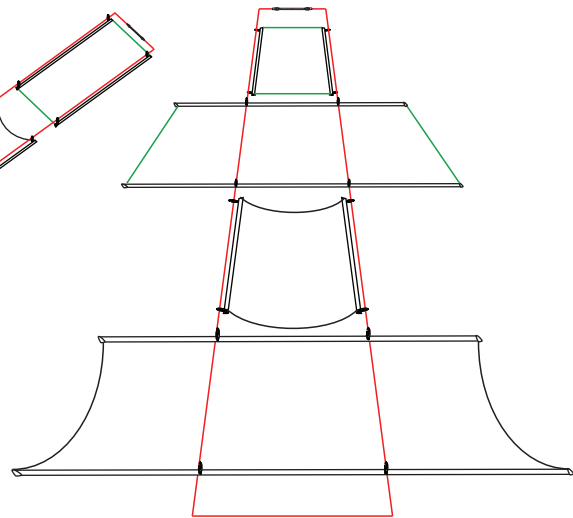
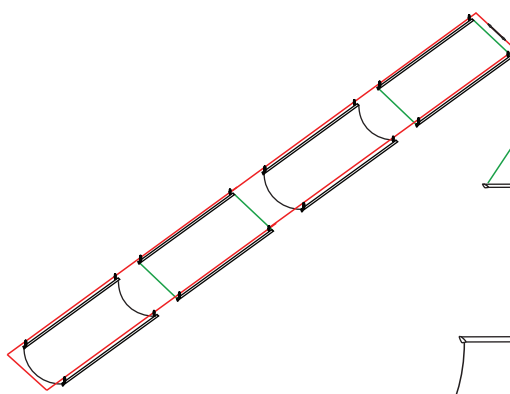
D. Bellying Change Flat or Increased

E. Section with Open Panels

F. Canopy Moving on Long Cable



G. Opposite Orientation with Flat and Belloyed Panels



H. Mixed Orientation with Flat and Belloyed Panels

## Possible Panel Designs

