

Roma



Installation manual



All information contained in this document was provided by the manufacturer of the components for this particular model. As a fabricator/distributor , Retractableawnings.com claims no liability with respect to these documents as we are not engineers and did not complete any of the information, engineering or calculations in this document.

**All measurements in this document are metric. To convert from metric (meters, centimeters and millimeters) to imperial (feet and inches) visit this website:
http://www.onlineconversion.com/length_common.htm**

TABLE OF CONTENTS

1	Introduction	4
1.1	▪ Symbols used in the manual	4
1.2	▪ Personnel requirements	4
1.3	▪ Required equipment	4
1.4	▪ Contents of packaging	5
2	Safety	5
2.1	▪ General safety information	5
2.2	▪ Requirements for working in safety	5
2.3	▪ Working environment.....	6
3	Technical Tables for Installation	6
3.1	▪ Table of minimum overall sizes.....	6
3.2	▪ Awning sizes table/no. arm and bracket supports	6
3.3	▪ Table no. Arms, square bar brackets and cassette box supports.....	10
3.4	▪ Table of loads on awning fastening plugs, based on the type of attachment	11
3.5	▪ Table of Suggested Anchoring Devices	13
3.5.1	▪ Types of anchoring devices depending on the base material.....	13
3.5.2	▪ Sequence for fastening of anchoring devices.....	14
3.6	▪ Diagrams of the covering and footprints.....	15
3.7	▪ Support brackets	16
4	Installation of manual awning	17
4.1	▪ Fastening brackets to wall	17
4.2	▪ Wall installation.....	21
4.3	▪ Adjustment of Awning Inclination.....	22
5	Installation of motorized awning	23
5.1	▪ Limit switch calibration	23
5.2	▪ Electrical connections and installation.....	23
6	Optionals	23
6.1	▪ Automations	23
7	Special Maintenance	24
7.1	▪ Troubleshooting table	24

1 INTRODUCTION

This manual was prepared by the Manufacturer to provide the necessary information to those authorized to install and perform special maintenance on the product. It is prohibited to remove, rewrite or in any way modify the pages of the manual and their content.

Operations must be carried out by personnel with the technical and professional skills required by current applicable national laws or standards.

This manual must be kept complete in all its parts in an easily accessible place.

The manufacturer reserves the right to update products and corresponding manuals without the obligation to update previous manuals.

The manufacturer reserves all rights on this manual. It may not be reproduced in any way, wholly or in part, without the manufacturer's written authorization.

1.1 Symbols used in the manual

The WARNING symbols used in the manual are shown below.



INFORMATION AND PRECAUTIONS

Useful advice and instructions to be observed to ensure proper installation and/or maintenance of the awning. Failure to observe these messages may compromise the integrity and/or the resistance of the product.



WARNING

DANGER TO OPERATOR! Instructions to be evaluated and followed carefully. Failure to comply with these messages may compromise individual safety.

1.2 Personnel requirements

Personnel assigned to this operation must have technical knowledge of the product obtained either through two years' experience or by means of a suitable technical training course.

1.3 Required equipment

To ensure proper installation of the awning, and consequently best operation of the finished product, the following equipment is required:

- power screwdriver;
- a level;
- string;
- complete tool set;
- equipment for working at heights (scaffolding, ladders, aerial platforms, etc.) which are compliant with current standards of individual safety in the workplace.



WARNING

All of the screws used on aluminium components must be tightened with a maximum force of 20Nm (=2Kgm). Greater tightening force causes the castings to break and damage to the stainless steel screws. It is advisable to use dynamometric power screwdrivers and wrenches.



WARNING

Use low-speed power screwdrivers. Screwing in the stainless steel screws at high speed may cause the threads to jam, especially in the case of stainless steel/stainless steel and stainless steel/ aluminium screws and threads.



WARNING

In the square bar supports with double screw, be sure to evenly screw the two fastening screws of the square bar, distributing the tightening force alternatively on the two screws up to a maximum of 20 Nm. Uneven tightening may cause abnormal tension in the casting, causing it to fail immediately, or lead to subsequent problems caused by external stress on the awning (e.g. gusts of wind).

1.4· Contents of packaging

The awning is delivered complete with extensible arms, fabric, control (manual or motorized) and any requested optional.

INFORMATION AND PRECAUTIONS

Never move the arm supports from the position in which they are supplied.

2 SAFETY

2.1· General safety information

- During all operations described in this manual, make sure that **ONLY** individuals involved in the work are in the work zone (see Chap. 1.2 “Personnel requirements”).
- Do not set objects on the canvas of the awning.
- It is prohibited to stand on or hang from the awning. This would create the risk of severe personal injury, as well as damaging the awning.
- Wear personal protective equipment and clothing as required by current standards on safety in the workplace.

WARNING

Installation, adjustment, and special maintenance of the awning must be carried out only by specialized, skilled technical personnel.

WARNING

It is necessary to ensure a distance of at least 500 mm between the end of the fully-opened awning (outermost part) and any fixed obstacle (wall, terrace, etc.).

WARNING

It is prohibited to install or place ladders or other objects near the awning, as this would reduce the space required for installation.

WARNING

Never loosen the awning more than the tension in the arms as there is the risk that the awning return under the tube and be ruined.

2.2· Requirements for working in safety

- Installation must be performed in full compliance with standards set forth by Presidential Decree 164/56 and Legislative Decree 494/96 for all that which concerns individual safety.
- Before use, check that all temporary structures (scaffolding, ladders, etc.) and all individual safety gear (harnesses, belts, etc.) are compliant with standards and in good condition.
- Always use suitable individual protection gear.
- If there is more than one installation technician, their work must be coordinated.
- Operators must work in compliance with the safety instructions given to them.
- If the awning is to be installed above ground level, the area underneath the awning must be marked off and guarded so that no one can get underneath the hanging load.
- Firmly tie the ropes or straps around the arm supports so that it does not slip and risk falling.

2.3· Working environment

- Installation and special maintenance must be carried out in a place that is sufficiently illuminated (based on specific standards) by either natural or artificial lighting. The operator must have a clear view of the work to be performed, and he must also prevent third persons from approaching the work area around the awning.

3 TECHNICAL TABLES FOR INSTALLATION

3.1· Table of minimum overall sizes

INFORMATION AND PRECAUTIONS

The measurements in the following tables are expressed in cm.

MINIMUM FOOTPRINTS	
PROTRUSION	WIDTH
ARM	1 PAIR OF ARMS
360	430
385	455
410	480
435	505
460	530
485	555

INFORMATION AND PRECAUTIONS

It is advisable always to use an even number of extensible arms.

3.2· Awning sizes table/no. arm and bracket supports

WARNING

THE FOLLOWING TABLES ARE PURELY INDICATIVE. TO THE BEST OF OUR KNOWLEDGE THE INFORMATION IS UP TO DATE. RA.COM DOES NOT PROVIDE ANY GUARANTEE REGARDING ACCURACY, RELIABILITY, AND COMPLETENESS OF THE INFORMATION CONTAINED HEREIN. INDEED, IT IS THE USER'S RESPONSIBILITY TO ENSURE THE SUITABILITY AND COMPLETENESS OF THIS INFORMATION.

INFORMATION AND PRECAUTIONS

All the measurements of the tables are in cm.

TABLES LEGEND:
A - B - C - D - E - F square bar bracket
X - Y - Z arm support

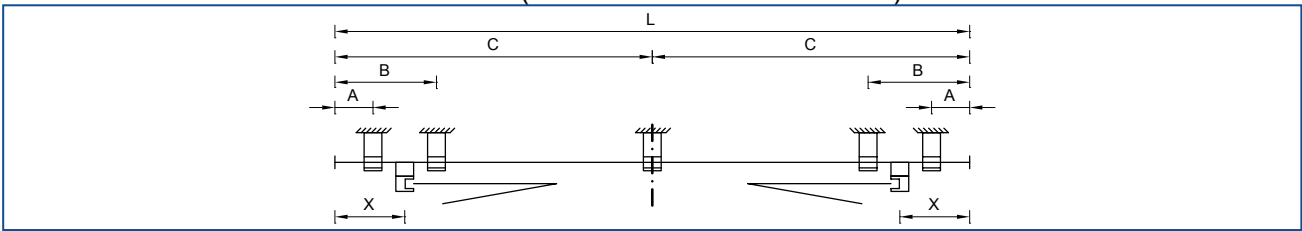
WARNING

Distribute the **BALANCE SUPPORTS** and **TOP SUPPORTS** evenly throughout the width of the awning. If the position of the supports coincides with that of the square bar brackets, position them adjacent to the latter. (For the number of supports, see "Table no. arms, square bar brackets, cassette box supports and top supports" on page 10).

WARNING

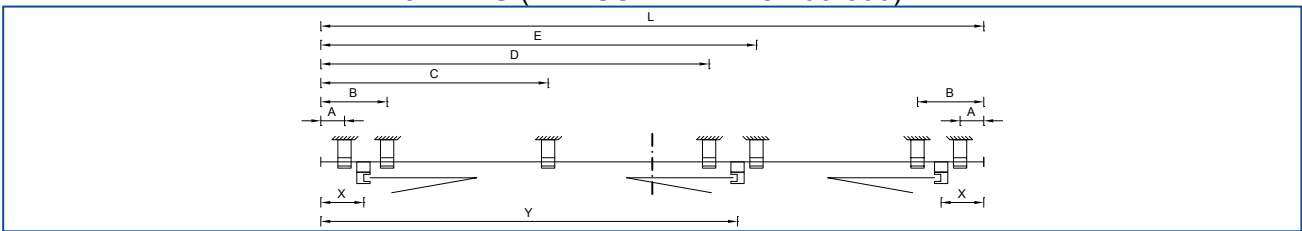
The awning is tested in its maximum size of no more than 6m.

2 ARMS (MEASUREMENTS 500-600)

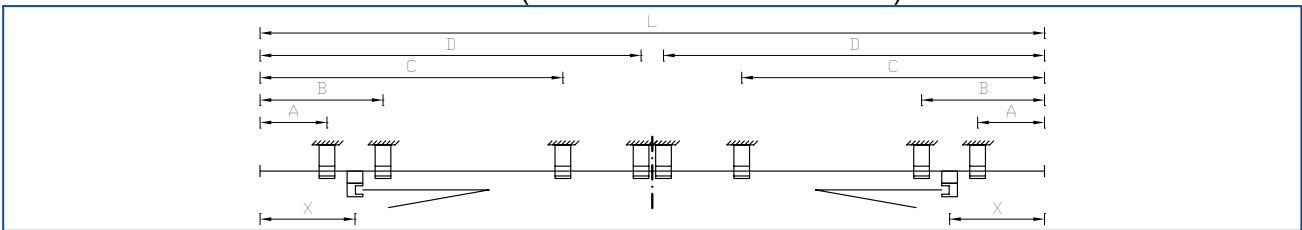


		500				600			
		A	B	C	X	A	B	C	X
PROTRUSION	360	30	80	L/2	55	30	80	225	55
	385	20	50	L/2	35	30	80	225	55
	410	20	50	L/2	35	30	70	223	50
	435	-	-	-	-	30	70	223	50
	460	-	-	-	-	30	70	255	45
	485	-	-	-	-	25	65	260	40

3 ARMS (MEASUREMENTS 700-800)



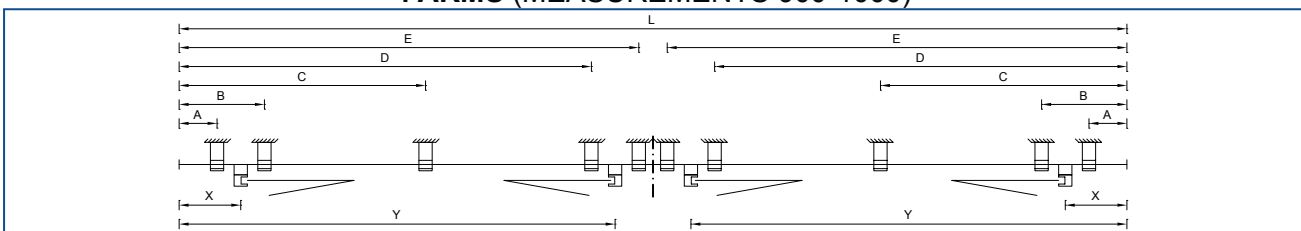
2 ARMS (MEASUREMENTS 700-800)



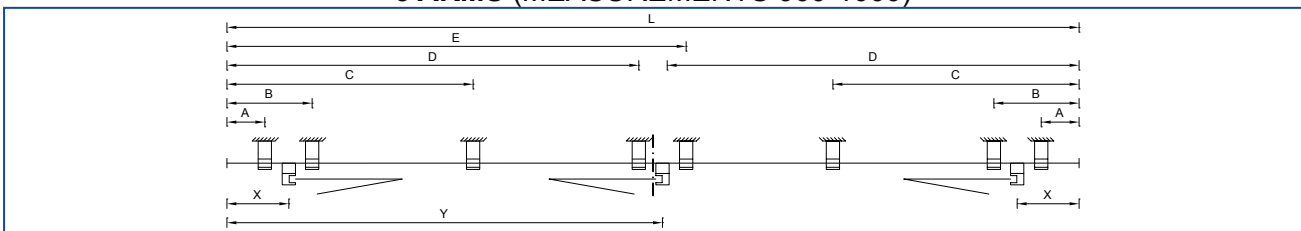
		"L" WIDTH							
		700							
		A	B	C	D	E	X	Y	
PROTRUSION	360	25	70	240	410	460	45	440	3 ARMS
	385	60	110	270			85		2 ARMS
	410	60	110	270			85		
	435	40	85	230			65		
	460	40	85	270			65		
	485	40	85	230	340		65		

		"L" WIDTH							
		800							
		A	B	C	D	E	X	Y	
PROTRUSION	360	40	90	265	435	495	65	465	3 ARMS
	385	40	90	275	460	520	65	490	
	410	30	80	275	475	525	50	500	
	435	25	80	280	485	530	40	510	
PROTRUSION	460	60	120	260	400		90		2 ARMS
	485	60	120	260	400		90		

4 ARMS (MEASUREMENTS 900-1000)



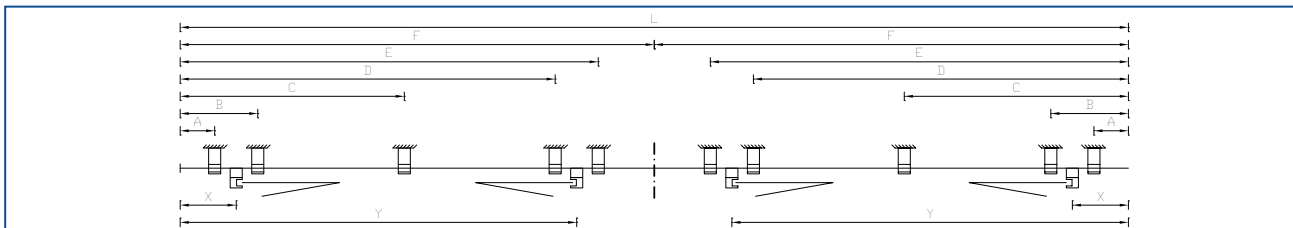
3 ARMS (MEASUREMENTS 900-1000)



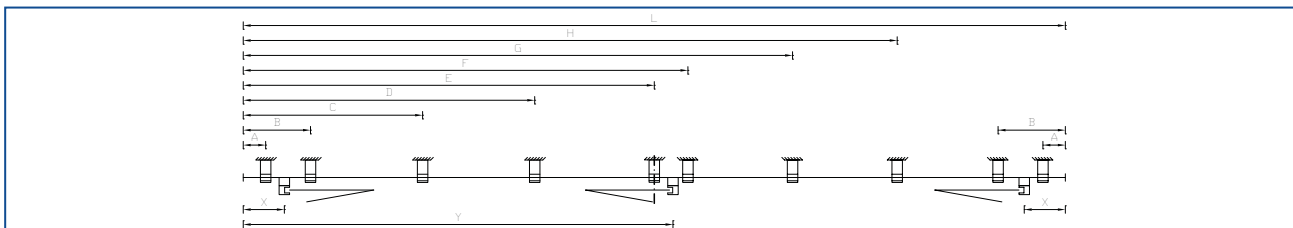
		"L" WIDTH									
		900									
		A	B	C	D	E	F	G	X	Y	
PROTRUSION	360	40	90	260	435	490	650	-	65	460	3 ARMS
	385	40	90	275	460	500	660	-	65	485	
	410	40	90	290	490	540	680	-	65	515	
	435	30	90	300	505	555	680	-	55	530	
	460	30	90	235	380	525	575	700	55	550	
	485	30	80	235	385	540	585	700	45	565	

		"L" WIDTH									
		1000									
		A	B	C	D	E	F	X		Y	
PROTRUSION	360	40	90	260	435	485	-	-	65	460	4 ARMS
	385	30	90	270	450	490	-	-	55	475	
	410	20	60	275	460	495	-	-	35	485	
PROTRUSION	435	30	90	230	370	505	555	730	55	530	3 ARMS
	460	30	90	235	370	525	575	740	55	550	
	485	30	90	240	390	550	595	750	55	575	

4 ARMS (MEASUREMENTS 1100-1200)



3 ARMS (MEASUREMENTS 1100-1200)



		"L" WIDTH										
		1100										
		A	B	C	D	E	F	G	H	X	Y	
PROTRUSION	360	40	90	260	435	485	-	-	-	65	460	4 ARMS
	385	40	90	275	460	510	-	-	-	65	485	
	410	40	90	290	490	535	-	-	-	65	515	
	435	30	80	210	350	490	535	-	-	45	515	
	460	25	70	210	350	505	545	-	-	40	535	
	485	30	90	240	390	550	595	735	875	55	575	3 BRACCI

		"L" WIDTH								
		1200								
		A	B	C	D	E	F	X	Y	
PROTRUSION	360	40	90	260	435	485	-	65	460	4 ARMS
	385	40	90	275	460	510	-	65	485	
	410	40	90	290	490	535	-	65	515	
	435	40	90	230	370	510	560	65	535	
	460	30	90	210	370	515	565	50	545	
	485	25	80	230	380	540	585	45	565	

3.3 - TABLE NO. ARMS, SQUARE BAR BRACKETS AND CASSETTE BOX SUPPORTS

Sporgenza (in) Projection (in) Avanço (in) Ausladung (in) Proyección (in)	Componenti Components Composants Komponenten Componentes	LARGHEZZA - WIDTH - LARGEUR - BREITE - ANCHO								
		Centimetri - Centimetres - Centimètres - Zentimeter - Centímetros								
		400	500	600	700	800	900	1000	1100	1200
360	Bracci - Arms - Bras - Arme - Brazos	-	2	2	3	3	3	4	4	4
	Staffa barra quadrata - Square bar bracket - Support barre carrée - Straggepieste Konsole - Escuadra barra cuadrada	-	5	6	6	7	8	10	10	10
	Supporto compensatore - Balance support - Support compensateur - Stützlager - Soporte compensador		1	1	1	1	2	2	2	2
	Supporto tettuccio - Hood support - Support pour auvent - Schutzdachkonsole - Soporte cubierta	-	5	5	6	6	7	8	9	9
385	Bracci - Arms - Bras - Arme - Brazos	-	2	2	2	3	3	4	4	4
	Staffa barra quadrata - Square bar bracket - Support barre carrée - Straggepieste Konsole - Escuadra barra cuadrada	-	5	6	6	7	8	10	10	10
	Supporto compensatore - Balance support - Support compensateur - Stützlager - Soporte compensador		1	1	1	1	2	2	2	2
	Supporto tettuccio - Hood support - Support pour auvent - Schutzdachkonsole - Soporte cubierta	-	5	5	6	6	7	8	9	9
410	Bracci - Arms - Bras - Arme - Brazos	-	2	2	2	3	3	4	4	4
	Staffa barra quadrata - Square bar bracket - Support barre carrée - Straggepieste Konsole - Escuadra barra cuadrada	-	5	6	6	7	8	10	10	10
	Supporto compensatore - Balance support - Support compensateur - Stützlager - Soporte compensador		1	1	1	1	2	2	2	2
	Supporto tettuccio - Hood support - Support pour auvent - Schutzdachkonsole - Soporte cubierta	-	5	5	6	6	7	8	9	9
435	Bracci - Arms - Bras - Arme - Brazos	-	-	2	2	3	3	3	4	4
	Staffa barra quadrata - Square bar bracket - Support barre carrée - Straggepieste Konsole - Escuadra barra cuadrada	-	-	6	6	7	8	9	12	12
	Supporto compensatore - Balance support - Support compensateur - Stützlager - Soporte compensador			1	1	1	2	2	2	2
	Supporto tettuccio - Hood support - Support pour auvent - Schutzdachkonsole - Soporte cubierta	-		5	6	6	7	8	9	9
460	Bracci - Arms - Bras - Arme - Brazos	-	-	2	2	3	3	3	4	4
	Staffa barra quadrata - Square bar bracket - Support barre carrée - Straggepieste Konsole - Escuadra barra cuadrada	-	-	6	7	7	9	9	12	12
	Supporto compensatore - Balance support - Support compensateur - Stützlager - Soporte compensador			1	1	1	2	2	2	2
	Supporto tettuccio - Hood support - Support pour auvent - Schutzdachkonsole - Soporte cubierta	-		5	6	6	7	8	9	9
485	Bracci - Arms - Bras - Arme - Brazos	-	-	2	2	3	3	3	4	4
	Staffa barra quadrata - Square bar bracket - Support barre carrée - Straggepieste Konsole - Escuadra barra cuadrada	-	-	6	7	7	8	10	12	12
	Supporto compensatore - Balance support - Support compensateur - Stützlager - Soporte compensador			1	1	1	2	2	2	2
	Supporto tettuccio - Hood support - Support pour auvent - Schutzdachkonsole - Soporte cubierta	-		5	6	6	7	8	9	9

Le staffe devono essere installate sia a sinistra che a destra del supporto braccio ad una distanza massima di 25 cm dal supporto stesso
The brackets must be installed either on the left or the right of the arm support at a distance of 25cm of it.

Les supports doivent être montés soit à gauche soit à droite du support bras à une distance maxi de 25cm de ce support.

Die Konsolen müssen jeweils links und rechts der Armkonsole mit einem Höchstabstand von 25 cm von dieser letzten installiert werden.

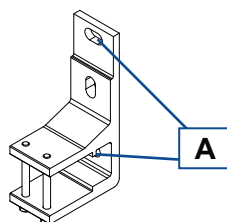
La escuadra puede ser instalada tanto a la izquierda como a la derecha del soporte del brazo y a una distancia máxima de 25 cm. del mismo.

3.4 · Table of loads on awning fastening plugs, based on the type of attachment

i INFORMATION AND PRECAUTIONS

The calculations of the plugs were made taking into account Class 1 wind resistance as per standard EN 13561.

WALL INSTALLATION



i INFORMATION AND PRECAUTIONS

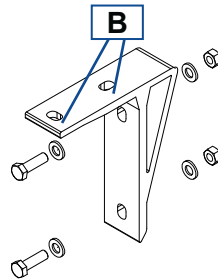
The wall plug calculations for the Roma awning have been performed with the extruded square wall bracket, taking into consideration that the holes (A) are used for wall installation.

i INFORMATION AND PRECAUTIONS

It is advisable to use all 3 slots available on the bracket. If this is not possible, use the 2 as in the figure (A).

WALL INSTALLATION - Roma						
Extraction load on anchoring devices (KN)		WIDTH (m)				
		4	4.5	5	5.5	6
PROTRUSION (m)	3.60	-	3.23	3.53	3.83	4.14
	3.85	-	-	4.00	4.35	4.69
	4.10	-	-	4.51	4.90	5.29
	4.35	-	-	-	5.43	5.86
	4.60	-	-	-	6.04	6.52
	4.85	-	-	-	-	7.19

CEILING INSTALLATION



i INFORMATION AND PRECAUTIONS

The ceiling plug calculations for the Roma awning have been performed with the square bar ceiling bracket, taking into consideration that the holes (B) are used for ceiling installation.

CEILING INSTALLATION - Roma						
Extraction load on anchoring devices (KN)		WIDTH (m)				
		4	4.5	5	5.5	6
PROTRUSION (m)	3.60	-	2.99	3.26	3.54	3.82
	3.85	-	-	3.69	4.00	4.32
	4.1	-	-	4.14	4.49	4.85
	4.35	-	-	-	4.97	5.36
	4.6	-	-	-	5.51	5.95
	4.85	-	-	-	-	6.55

! WARNING

All values were calculated on the basis of using 4 square bar supports (assuming no contribution from the central bracket).

The value in the table is in KN and expresses the extraction load of the plug that is under the greatest stress. These values are required for the selection of the most suitable anchoring, based on the type of material upon which the awning will be installed. Choose the anchoring by referring to the recommended load values in the Hilti General Catalogue.

Example: awning with ceiling attachment

- awning dimensions: L 5.5 x SP 4.1 - load on plug: 4.49 kN - base material: non-cracked concrete C25. Suggested plug: Hilti HST M10 (see the plug technical specifications in the Hilti General Catalogue).

! WARNING

The selection of the most suitable fastening element depends on the type of base material and on its physical state. It is the responsibility of the installer to check the state of the base material before installing the awning. The installer is not obliged to use Hilti anchoring devices.

3.5- Table of Suggested Anchoring Devices












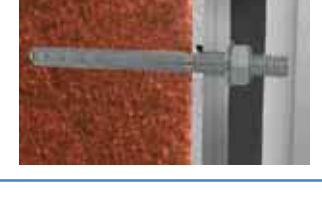
3.5.1 -Types of anchoring devices depending on the base material

Extraction load on anchoring devices (KN)		
Hilti HST		CONCRETE CRACKED CONCRETE HARD NATURAL STONE
Hilti HSA		CONCRETE HARD NATURAL STONE
Hilti HIT-HY 150 with HAS		CONCRETE
Hilti HIT-RE 500 with HAS		CONCRETE HARD NATURAL STONE SOLID BRICK WOOD
Hilti HIT-HY 50		BETON GAS SOLID BRICK WOOD
Hilti HIT-HY 20		PERFORATED BRICK

i INFORMATION AND PRECAUTIONS

For corrosive environments, we suggest using stainless steel anchoring devices. For additional information, contact Hilti Italia S.p.A. technical service. (e-mail:tecnici@hilti.com)

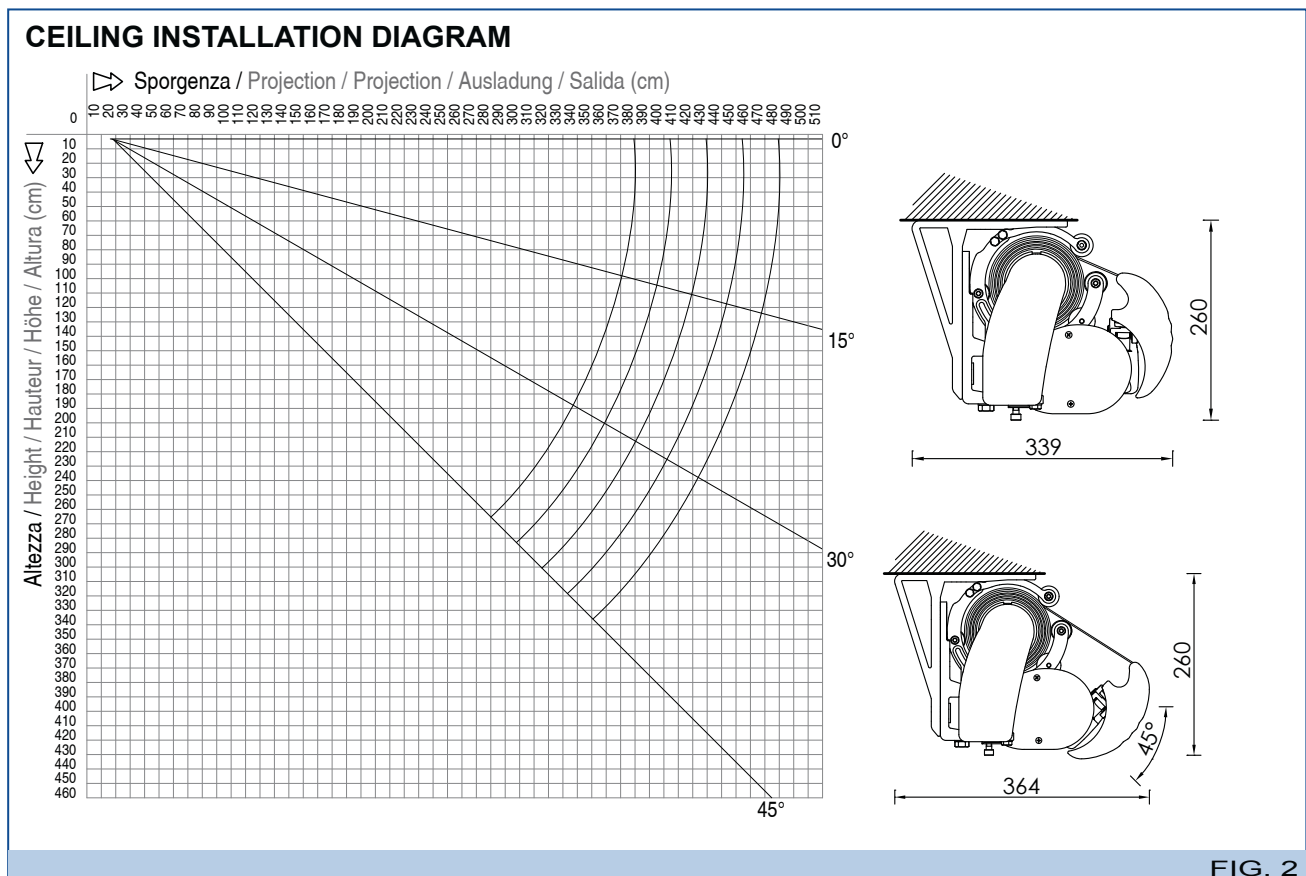
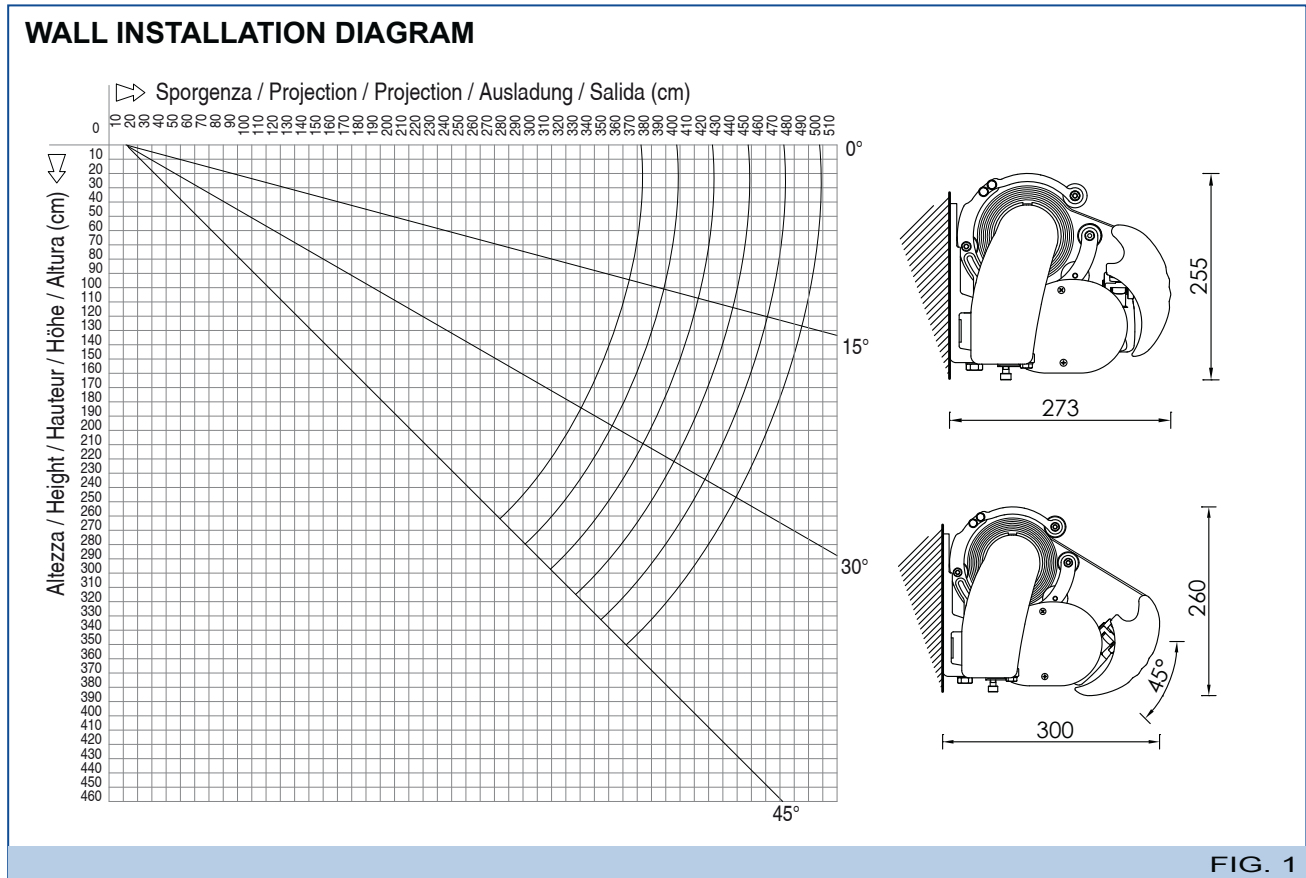
3.5.2 • Sequence for fastening of anchoring devices

MECHANICAL ANCHORING DEVICE		CHEMICAL ANCHORING DEVICE	
	1° Make a hole with a drill bit that is suitable for the anchoring device		1° Make a hole with a drill bit that is suitable for the anchoring device
	2° Pay attention to how deep you make the hole		2° Pay attention to how deep you make the hole
	3° Remove dust and debris from the hole (preferably using compressed air)		3° Remove dust and debris using a brush
	4° Install the anchoring device		4° Remove residual dust with compressed air
	5° Tighten until achieving recommended tightening torque (see Hilti General Catalogue)		5° Inject the chemical adhesive
	6° Final configuration		6° Insert and settle the anchoring device. Comply with the setting time required before placing the plate (see product cartridge)
			7° After the time "T cure" has elapsed, place the plate and tighten until achieving recommended tightening torque (see Hilti General Catalogue)

! WARNING

For proper installation of the anchoring devices, refer to the Hilti General Catalogue

3.6- Diagrams of the covering and footprints



3.7- Support brackets

SQUARE BAR WALL BRACKET

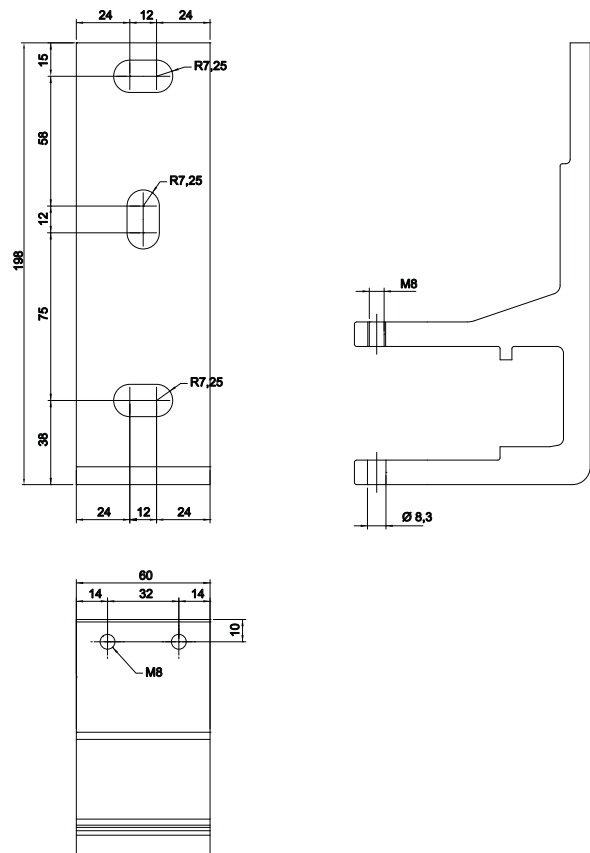


FIG. 3

SQUARE BAR CEILING BRACKET

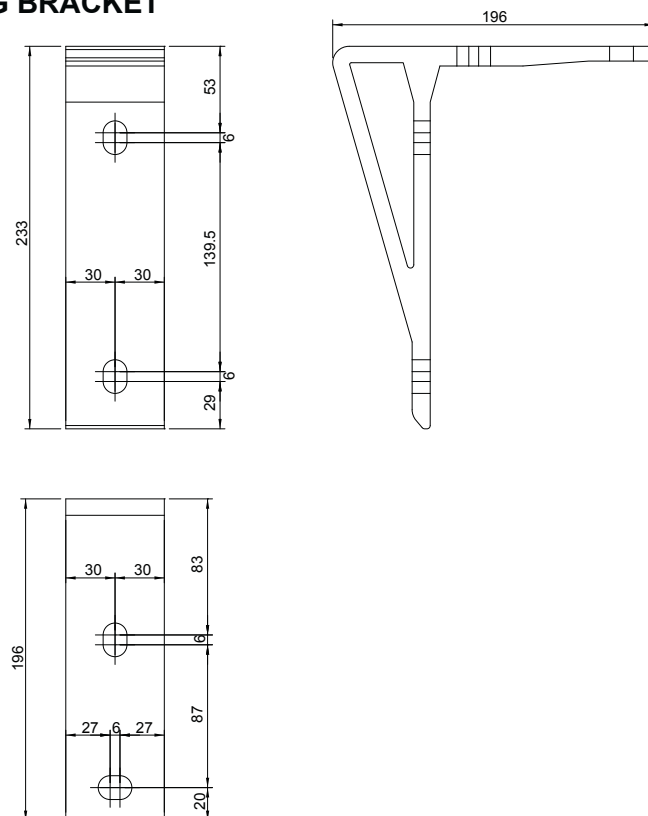


FIG. 4

4 INSTALLATION OF MANUAL AWNING

The instructions below refer to **wall-mounting**; ceiling mounting is the same . If any options are in use, **first read** Chapter 6 "Optionals"

⚠ WARNING

Ensure a minimum space of 500 mm between the open awning and any fixed obstacle.

The awning must be installed at a minimum height of 2500 mm. If this is not possible, for awnings equipped with automations it is obligatory to install an acoustic warning device.

i INFORMATION AND PRECAUTIONS

Use the most suitable plugs for the type of wall where the awning is to be installed.

i INFORMATION AND PRECAUTIONS

For CEILING INSTALLATION, DO NOT FASTEN THE BRACKETS TO THE BLOCKS. The awning may fall with the risk of serious injury to individuals and damage to the product.

i INFORMATION AND PRECAUTIONS

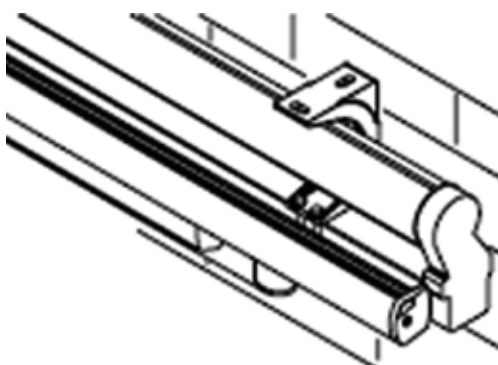
The procedure described below refers to the model of awning with TWO extensible arms. The operator must take the necessary measures for the installation of models with more than two arms (see the tables in Chap. 3.2).

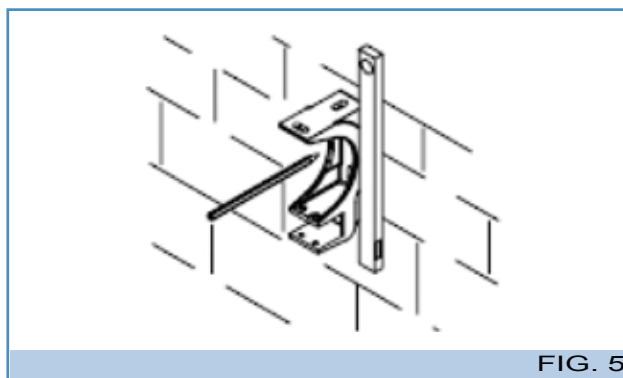
4.1 Fastening brackets to wall

i INFORMATION AND PRECAUTIONS

The instructions that follow are of a general nature and must therefore be adapted to the model of awning being assembled.

- 1° Before starting installation, take note of the following information, which is indispensable to find the right position for fastening the brackets:
 - dimensions of the awning (see Chap 3.1 and Chap.3.5)
 - dimensions of the brackets (see Chap. 3.6)
 - number of arm supports (see Chap.3.2)
 - side of awning where control is located;
 - dimensions of the wall/ceiling where the awning is to be installed.





(For the support and bracket positions, see Chapter 3.2).

2 - Using a string and a level, mark the position of the holes to be made on the wall.

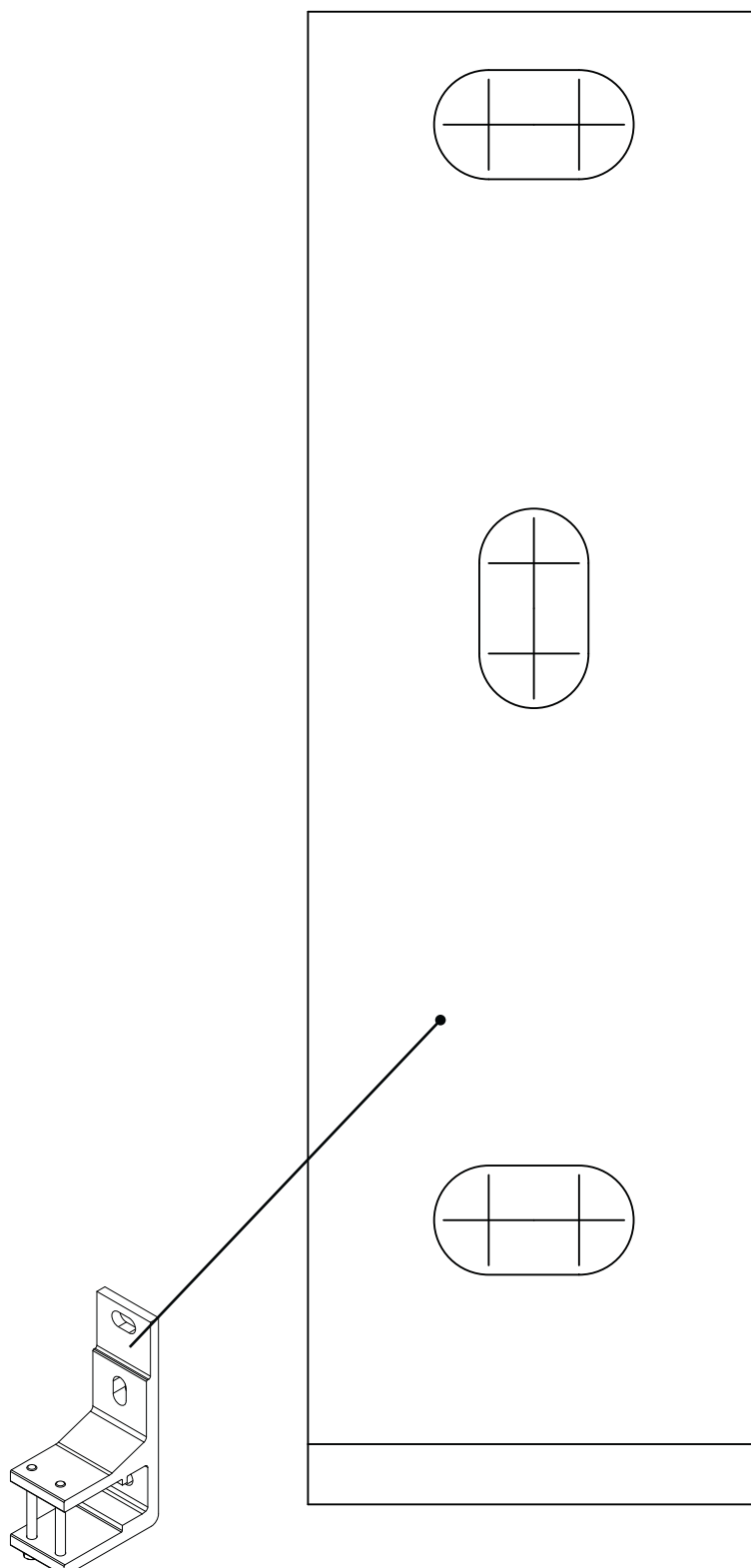
i INFORMATION AND PRECAUTIONS

To facilitate the installation process, pages 19 and 20 may be printed in A4 format for use as templates to find the best positions for the holes.

! WARNING

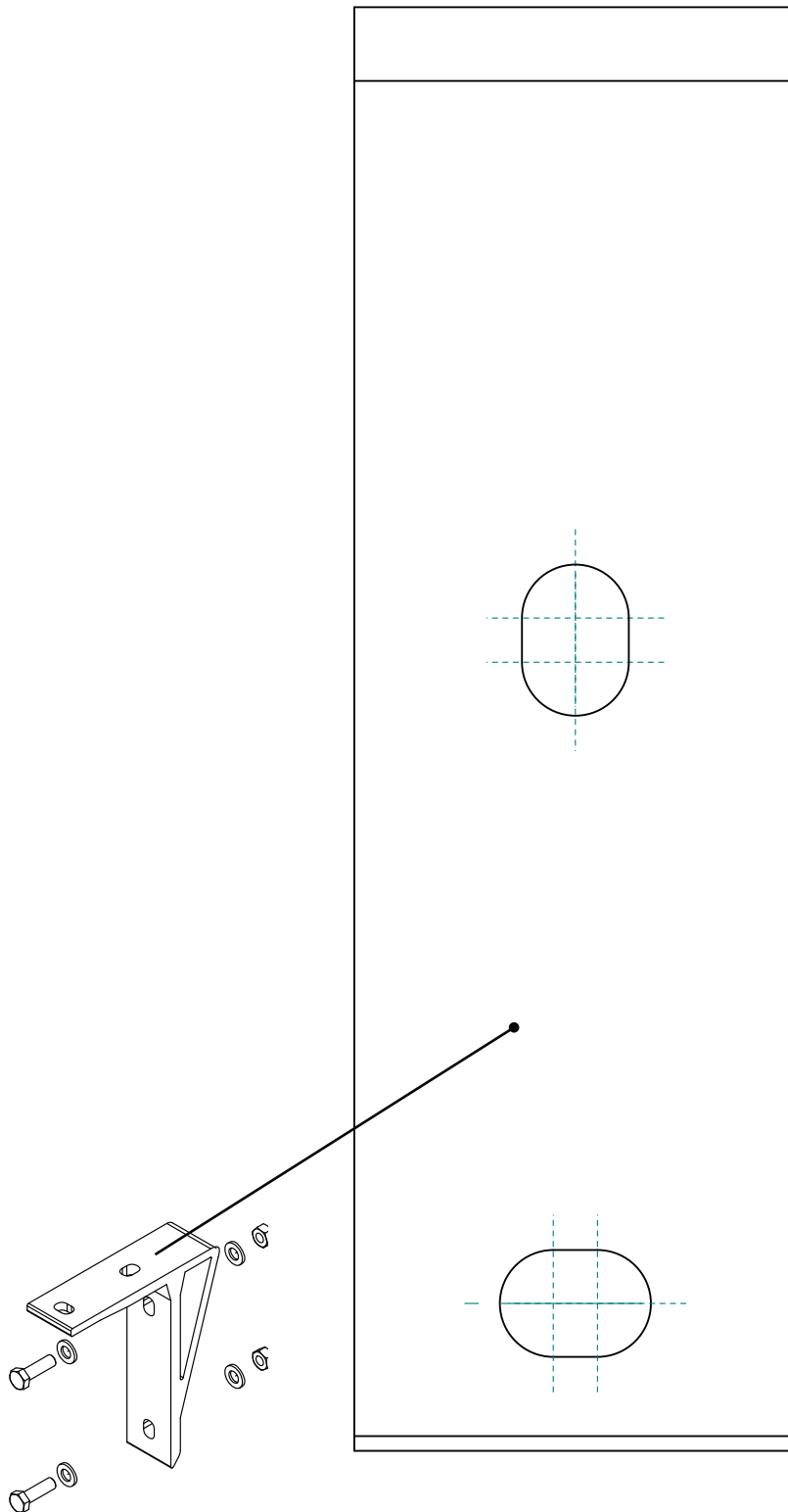
TO AVOID GROSS ERRORS, MAKE SURE THE PRINT OUT SCALE IS 1:1, CHECKING THE MEASURE INDICATED ON THE PAPER WITH A RULER OR CALLIPER IN RELATION TO THE DIMENSIONS INDICATED ON PAGE 16.

SQUARE BAR WALL BRACKET



Scale 1:1

SQUARE BAR CEILING BRACKET



Scale 1:1



FIG. 6

3° Make the holes in the wall using suitable drill based on the type of wall and type of screw to be used. See the Table of Loads, Chap. 3.3.

4.2· Wall installation

i **INFORMATION AND PRECAUTIONS**
 The instructions that follow are of a general nature and must therefore be adapted to the model of awning being assembled.

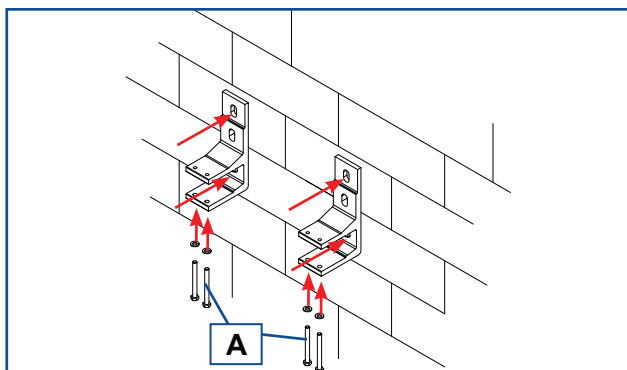


FIG. 7

4° Fix the brackets to the wall and insert the square bar (including the awning) on the square bar supports.

5° Affix the square bar to the brackets using the screws (A).



FIG. 8

6° Centre the awning on the brackets, with reference to the table "Awning Dimensions/no. of arm supports" in Chap. 3.2.

i **INFORMATION AND PRECAUTIONS**
 If the wall is off-square, it may difficult to install the awning on the support brackets. It is therefore advisable to check the alignment of the brackets and to provide inserts to ensure proper alignment for good installation. Use a string to check alignment.

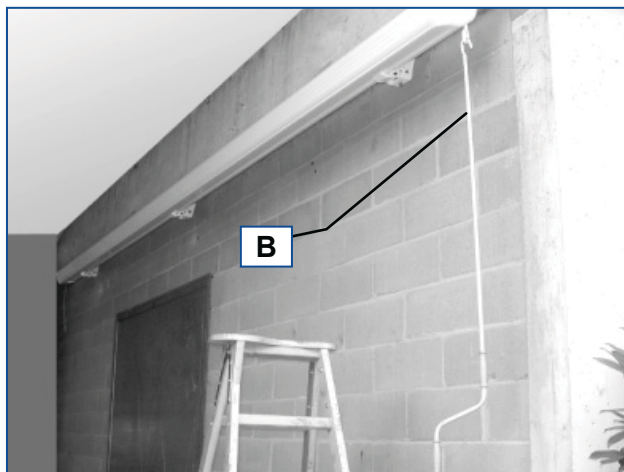


FIG. 9

7° For a manual awning, fasten the manoeuvre rod (B) to the winch.



FIG. 10

For ceiling-mounted awnings, follow the same instructions as for wall installation.

4.3 Adjustment of Awning Inclination

i INFORMATION AND PRECAUTIONS

The instructions that follow are of a general nature and must therefore be adapted to the model of awning being assembled.

For this procedure, one worker will need to work on the brackets, and the other, only after opening the awning, will guide the terminal so as to raise or lower the awning easily.

! WARNING

Make sure that when opening/closing the awning, there are no individuals within its range of action who are not involved in the work.

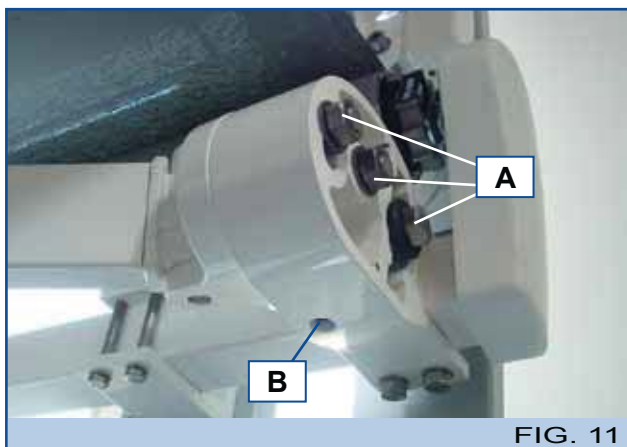


FIG. 11

7 ▫ Remove the arm support covers from both sides of the awning.

8 ▫ Loosen the 3 screws (A).

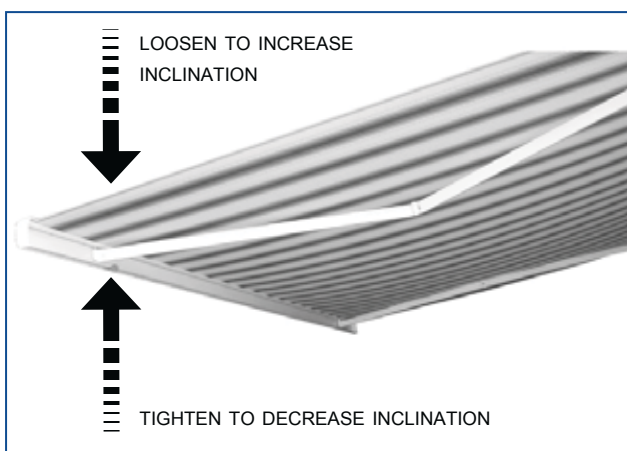


FIG. 12

9 ▫ Adjust the inclination of the awning using the relevant Allen key on the screws (B - Fig.11). Repeat for both arms.

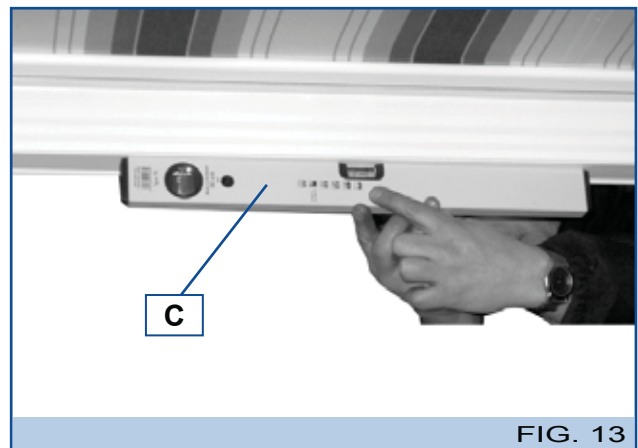


FIG. 13

10 ▫ Using a level (C), check that the terminal is horizontal. If not, adjust the support screw (B, Fig. 11) for the arm that is not level, following the procedure described above. Once the desired inclination has been achieved, tighten the screws (A - Fig. 11).

11 ▫ Refit the arm support covers previously removed.

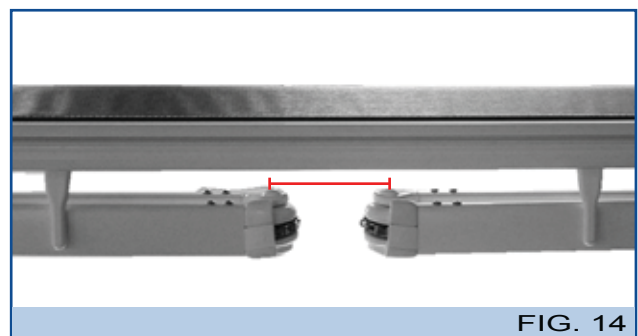


FIG. 14

12 ▫ Check that the elbows of the extensible arms are parallel.

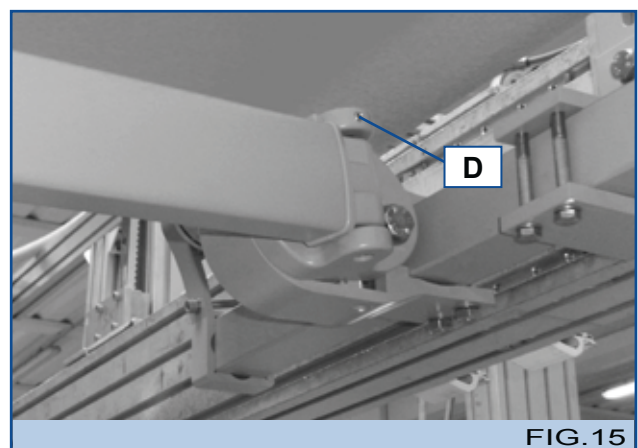


FIG. 15

13 ▫ If not, open the awning slightly and tighten the grub screw (D) to raise the elbow of the arm, and unscrew to lower it.

14 ▫ Repeat the same steps for the other end of the awning.

5 INSTALLATION OF MOTORIZED AWNING

WARNING

IT IS PROHIBITED to install the motorized product in an explosive atmosphere.

WARNING

Use a locking switch (with key) if the awning is installed in sensitive locations such as schools, colleges, hospitals, retirement homes, etc.

If the awning is equipped with a radio remote control, keep it out of the reach of children.

WARNING

If there is an opening/closing switch, it must be located in a protected position at a height of at least 1500 mm above ground level and in a safe place.

WARNING

The awning must be installed at a minimum height of 2500 mm. If this is not possible, for awnings equipped with automations it is obligatory to install an acoustic warning device.

5.1· Limit switch calibration

INFORMATION AND PRECAUTIONS

Before installation, check that the limit switch is properly calibrated. If it requires adjustment, follow the instructions in the attached "Motor Manual".

5.2· Electrical connections and installation

WARNING

The electrical connections must be performed by qualified personnel and with the electrical energy disconnected.

INFORMATION AND PRECAUTIONS

It is prohibited to connect two or more motors to the same switch due to the risk of induced current which would result in damage to the motors.

Installation of the motorized awning involves the same procedure as for the manual awning, except for the application of the crank rod (Chap. 4.2, "Wall installation", point 6).

Instructions for electrical connection and programming the type of operation are described in the "Motor Manual" which is attached.

6 OPTIONALS

6.1· Automations

(Only for motorized awnings)

WIND GAUGE, RAIN GAUGE, TWILIGHT SENSOR: installation of these optional is described in the manuals for automations and for requested controls.

WARNING

For awnings with automations, the awning must be installed at a minimum height of 2500 mm; if this is not possible, an acoustic warning device must be installed.

7 SPECIAL MAINTENANCE

7.1 Troubleshooting table

MANUAL AWNING

PROBLEMS	CAUSES	SOLUTIONS
Conical rewinding of canvas	Incorrect symmetry of arms	See manual for Assembly, Chap. 7
	Uneven fabric thickness	Roll the canvass all the way back up

MOTORIZED AWNING

Without electronic control unit

PROBLEMS	CAUSES	SOLUTIONS
Conical rewinding of canvas	Incorrect symmetry of arms	See manual for Assembly, Chap. 7
	Uneven fabric thickness	Roll the canvass all the way back up
The awning does not roll up all the way.	Incorrect adjustment of limit switch.	See manual for motor (attached)
The awning does not open up all the way.	Motor crown shifts during movement	See manual for Assembly, Chap. 8
The motor is very noisy	Incorrect wiring	See manual for motor (attached)
	Motor failed	See manual for motor (attached)
The motor shuts down after 4-5 minutes of continuous operation	Thermal protection of motor trips	Let the motor cool off for a few minutes

With electronic control unit

PROBLEMS	CAUSES	SOLUTIONS
The awning does not move	Fuse blown	Replace the fuse as shown in the attached manual
	Incorrect wiring	See manual for motor (attached)
The awning moves in jerks (moves for 50 cm, stops, etc.)	Faulty wind gauge	See instructions on automations (attached)
The awning does not roll up in high winds.	Fuse blown	Replace the fuse as shown in the attached manual
	Faulty wind gauge	See instructions on automations (attached)
The awning does not roll up in heavy rain.	Fuse blown	Replace the fuse as shown in the attached manual
	Rain gauge defective	See instructions on automations (attached)
With radio control, the awning opens or closes by itself.	Battery dead	Replace battery in radio remote control (see instructions concerning controls)



Retractableawnings.com
All sun, rain, wind, bug, hurricane and snow protection systems
Are not created equal

Manufacturing Facility:

Retractableawnings.com
5160 NW 165 Street
Miami Gardens, Florida 33014-6303
United States of America
Telephone (305) 628-2424
Telephone Toll Free 1 (866) 438-2964
Fax (305) 623-0099
Email sales@retractableawnings.com

Instant Messaging:

GOOGLETALK -retractableawnings
SKYPE - retractableawnings
MSN - retractableawning
YAHOO - retractableawnings
AOL - retractableawn
ICQ - 166644911

